

PLEASE CHECK WWW.MOLEX.COM FOR LATEST PART INFORMATION

Part Number: [0354279702](#)
Status: **Active**
Description: 6.00mm (.236") Tab Wire-to-Wire Terminal, Female, One-Piece Type, Wire Range AVS (CAVS) 0.30 - 0.50mm sq. (.012-.020"), Pre-Tin Plated

Documents:

[Drawing \(PDF\)](#)

[RoHS Certificate of Compliance \(PDF\)](#)

General

Product Family	Crimp Terminals
Series	35427
Crimp Quality Equipment	Yes
Product Name	N/A

Physical

Gender	Female
Material - Metal	Brass
Material - Plating Mating	Tin
Material - Plating Termination	Tin
Packaging Type	Reel
Plating min: Mating (µin)	59
Plating min: Mating (µm)	1.5
Termination Interface: Style	Crimp or Compression
Wire Insulation Diameter	1.80-2.03mm (.071-.080")
Wire Size AWG	20, 22
Wire Size mm²	N/A

Electrical

Current - Maximum per Contact	20A
-------------------------------	-----

Material Info

Reference - Drawing Numbers

Sales Drawing	SD-35427-002
---------------	--------------

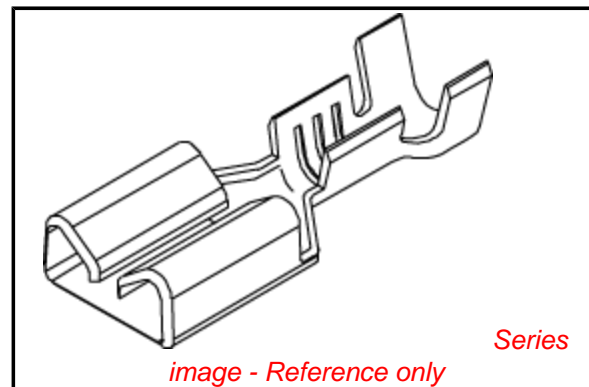


image - Reference only

EU RoHS

**ELV and RoHS
Compliant**

REACH SVHC

Contains SVHC: No

Halogen-Free

Status

Halogen-Free

China RoHS



**Need more information on product
environmental compliance?**

Email productcompliance@molex.com
 For a multiple part number RoHS Certificate of Compliance, [click here](#)

Please visit the [Contact Us](#) section for any non-product compliance questions.

Search Parts in this Series

[35427Series](#)

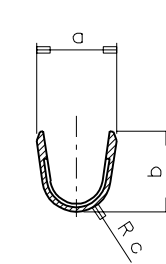
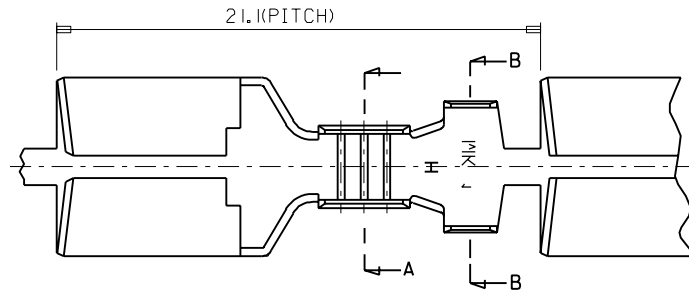
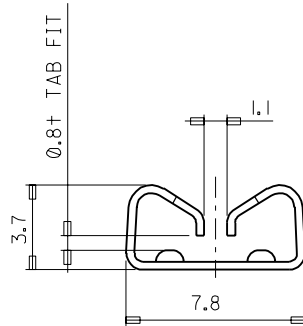
Mates With

[35725 Terminal](#)

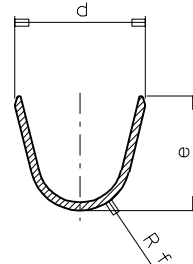
Use With

[35270 Housing](#)

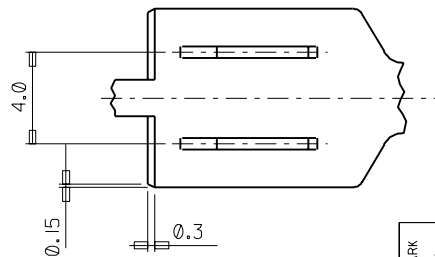
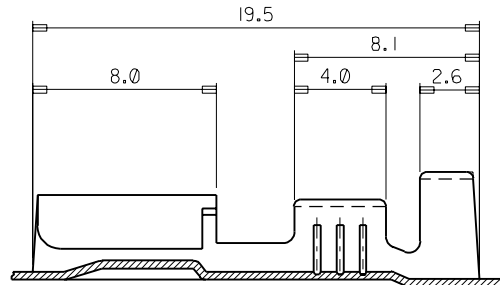
PLEASE CHECK WWW.MOLEX.COM FOR LATEST PART INFORMATION



SECTION A-A



SECTION B-B



PART NO.	a	b	Rc	d	e	Rf	WIRE RANGE (mmSQ)	Q'TY/REEL	FINISH	REMARK (OPTION)
35427-9700									UNPLATED	---
-9702	S	2.8	2.8	0.9	3.8	3.8	0.3 ± 0.5	5000	PLATED	---
-9710									UNPLATED	MARK "H"
35427-9800									UNPLATED	---
-9802	M	3.0	3.5	1.2	5.0	5.0	0.85 ± 1.25	5000	PLATED	---
-9810									UNPLATED	MARK "H"
35427-9900									UNPLATED	---
-9902	L	5.2	4.6	2.0	6.3	6.3	2.0 ± 3.0	4000	PLATED	---
-9910									UNPLATED	MARK "H"

NOTES

- MATERIAL : BRASS (C2600), THICK = 0.35mm
- TENSION (35427-970*,980*,990*)
 - INSERTION FORCE(INITIAL) : 1.0 ± 1.5 Kgf
 - WITHDRAWAL FORCE(6 TIMES) : 0.6Kgf MIN.
- TENSION (35427-971*,981*,991*) "H" MARK
 - INSERTION FORCE(INITIAL) : 1.5 ± 2.0 Kgf
 - WITHDRAWAL FORCE(6 TIMES) : 0.8Kgf MIN.

ADDED TENSION & MARK EC NO. KOR2000-0068 DRWN: B.C.YOON 00/10/25 CHK: B.K.CHOI 00/10/25 APPR: C.W.LEE 00/10/25	QUALITY SYMBOLS MAJOR \blacktriangledown = 0 CRITICAL \blacktriangle = 0 C = 0	GENERAL TOLERANCES: (UNLESS SPECIFIED)		SCALE 5:1	DESIGN UNITS <input checked="" type="checkbox"/> mm <input type="checkbox"/> INCH	DIMENSIONS: <input type="checkbox"/> mm <input type="checkbox"/> INCH <input checked="" type="checkbox"/> mm ONLY	SHT REV REVISE ON CAD ONLY	
		4 PLACES $\pm 0.$	mm	INCH	DRAWN BY & DATE J.K.OH 96/10/11			MOLEX INCORPORATED KOREA MATERIAL NO. 35427-9*** DRAWING NO. SD-35427-002
		3 PLACES $\pm 0.$	DRAFT WHERE APPLICABLE MUST REMAIN WITHIN DIMENSIONS		CHECKED BY & DATE B.KCHOI 96/10/11	TITLE: POWERMATE FEMALE TERMINAL (S,M,L)		
		2 PLACES $\pm 0.$	THIS DRAWING CONTAINS INFORMATION THAT IS PROPRIETARY TO MOLEX INCORPORATED AND SHOULD NOT BE USED WITHOUT WRITTEN PERMISSION.		APPROVED BY & DATE C.W.LEE 96/10/11			
1 PLACE ± 0.3			CAD FILENAME sd35427.dgn					