

PLEASE CHECK WWW.MOLEX.COM FOR LATEST PART INFORMATION

Part Number: **0430300009**
Status: **Active**
Overview: microfit_30
Description: Micro-Fit 3.0™ Crimp Terminal, Female, with Select Gold (Au) Plated Tin/Brass Alloy Contact, 20-24 AWG, Bag

Documents:

[Drawing \(PDF\)](#) [RoHS Certificate of Compliance \(PDF\)](#)
[Product Specification PS-43045 \(PDF\)](#)

General

Product Family	Crimp Terminals
Series	<u>43030</u>
Crimp Quality Equipment	Yes
Overview	<u>microfit_30</u>
Product Literature Order No	USA-106
Product Name	Micro-Fit 3.0™

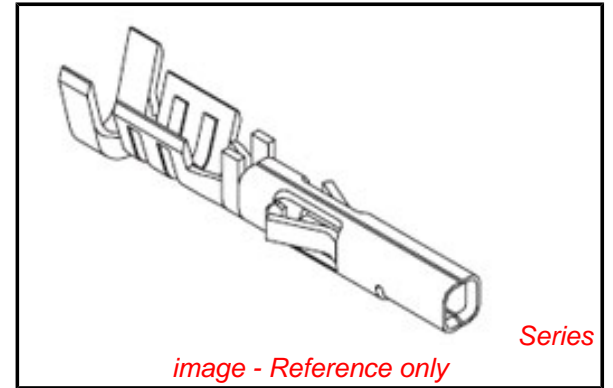
Physical

Gender	Female
Material - Metal	Phosphor Bronze
Material - Plating Mating	Gold
Material - Plating Termination	Tin
Packaging Type	Bag
Plating min: Mating (µin)	30
Plating min: Mating (µm)	0.76
Plating min: Termination (µin)	100
Plating min: Termination (µm)	2.5
Termination Interface: Style	Crimp or Compression
Wire Insulation Diameter	1.85mm (.073") max.
Wire Size AWG	20, 22, 24
Wire Size mm²	N/A

Material Info

Reference - Drawing Numbers

Packaging Specification	PK-43030-003
Product Specification	PS-43045, RPS-43045-001, RPS-43045-003, RPS-43045-004
Sales Drawing	SD-43030-****
Test Summary	TS-43045-002



EU RoHS

**ELV and RoHS
Compliant**
**REACH SVHC
Contains SVHC: No**
**Halogen-Free
Status**

China RoHS



**Need more information on product
environmental compliance?**

Email productcompliance@molex.com
 For a multiple part number RoHS Certificate of Compliance, [click here](#)

Please visit the [Contact Us](#) section for any non-product compliance questions.

Search Parts in this Series

43030Series

Application Tooling | FAQ

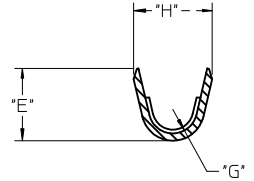
Tooling specifications and manuals are found by selecting the products below. Crimp Height Specifications are then contained in the Application Tooling Specification document.

Global

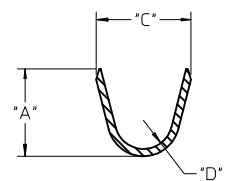
Description	Product #
Insertion Tool for Micro-Fit 3.0™ Crimp Terminal	<u>0638120800</u>
Hand Crimp Tool	<u>0638190000</u>
Extraction Tool	<u>0011030043</u>

WIRE SIZE	MAX INSULATION	*A* ±.012 ±0.30	*C* ±.012 ±0.30	*D* ±.005 ±0.13	*E* ±.012 ±0.30	*G* ±.005 ±0.13	*H* ±.012 ±0.30
20-24	.073/1.85	.090/2.29	.100/2.54	.030/0.76	.075/1.91	.025/0.64	.082/2.08
26-30	.050/1.27	.075/1.91	.083/2.10	.025/0.64	.058/1.47	.020/0.51	.065/1.65

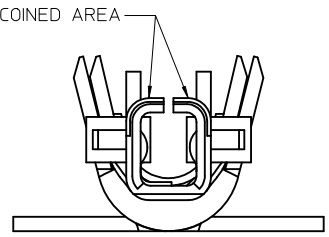
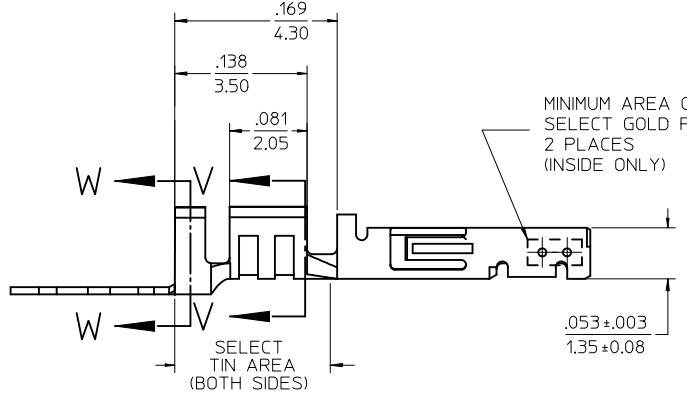
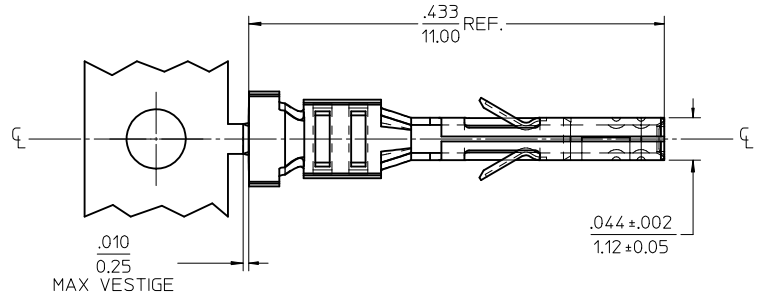
MATERIAL NUMBER	PLATING	WIRE SIZE	FORM
43030-0001	A	20-24	CHAIN
43030-0002	B	20-24	CHAIN
43030-0003	C	20-24	CHAIN
43030-0004	A	26-30	CHAIN
43030-0005	B	26-30	CHAIN
43030-0006	C	26-30	CHAIN
43030-0007	A	20-24	LOOSE
43030-0008	B	20-24	LOOSE
43030-0009	C	20-24	LOOSE
43030-0010	A	26-30	LOOSE
43030-0011	B	26-30	LOOSE
43030-0012	C	26-30	LOOSE



SECTION V-V



SECTION W-W



(SCALE 20:1)

NOTES

- MATERIAL: PHOSPHOR BRONZE ALLOY
- TERMINAL PLATING:
 - *A* - HOT TIN DIP: .000040/0.00102 MIN.
 - *B* - .000015/0.00038 MIN. SELECT GOLD .000100/0.00254 MIN. SELET TIN ALL OVER .000050/0.00127 MIN. NICKEL OVERALL.
 - *C* - .000030/0.00076 MIN. SELECT GOLD .000100/0.00254 MIN. SELECT TIN ALL OVER .000050/0.00127 MIN. NICKEL OVERALL.
- * THE PRIMARY SHIPPING CARTON WILL BE LABELED 'COMPLIANT TO RoHS DIRECTIVE 2002/95/EC AND ELV ANNEX II OF DIRECTIVE 2000/53/EC.' CARTONS WITHOUT THIS LABEL MAY CONTAIN PRODUCT WITH TIN/LEAD IN THE PC TAIL AREA.
- MATERIAL NUMBERS WITH SELECT PLATING ARE POST PLATED.
- PRODUCT SPECIFICATION: PS-43045, PS-43650, PS-44300-001.
- PACKAGING SPECIFICATION: PK-43030-001 (REEL), PK-43030-003 (LOOSE).
- TERMINAL FOR USE IN A MICRO FIT RECEPTACLE #43025-****, 43645-****, AND 44133-****.
- FOR TERMINAL ORIENTATION IN RECEPTACLE SEE DRAWING #SDA-43025 OR SDA-43645.
- THIS TERMINAL IS DESIGNED IN METRIC.
- MOLEX RECOMMENDS THE USE OF MICRO-FIT TEST PLUG (SERIES 44242) WHENEVER CONTINUITY TESTING IS PERFORMED. TEST PLUGS MUST NOT BE USED TO MAKE OR BREAK UNDER LOAD. MOLEX DOES NOT RECOMMEND USING STANDARD MATING COMPONENTS (SERIES 43020, 43045, 43640, 43650, OR 43031) FOR HARNESS TESTING PURPOSES.

ADD PK-43030-003 EC NO: UCP2010-0737 DRW:SSOUSEK 2009/12/30 CHKD:SSOUSEK 2009/12/30 APPR:FSMLTH 2010/01/04	QUALITY SYMBOLS	GENERAL TOLERANCES (UNLESS SPECIFIED)	DIMENSION STYLE IN/MM	SCALE 10:1	DESIGN UNITS METRIC	THIRD ANGLE PROJECTION
	▼=0 ▽=0	mm INCH 4 PLACES ± --- ± --- 3 PLACES ± --- ±.010 2 PLACES ± 0.25 ±.014 1 PLACE ± 0.35 ± --- ANGULAR ±1/2°	DRAWN BY DATE MUELLER 2002/08/03 CHECKED BY DATE MUELLER 2002/08/03 APPROVED BY DATE MARGULIS 2002/08/03	TITLE	MICRO-FIT (3.0) FEMALE CRIMP TERMINAL	
	DRAFT WHERE APPLICABLE MUST REMAIN WITHIN DIMENSIONS	SEE CHART	MATERIAL NO.	DOCUMENT NO.	MOLEX INCORPORATED	
					SD-43030-****	SHEET NO. 1 OF 1

THIS DRAWING CONTAINS INFORMATION THAT IS PROPRIETARY TO MOLEX INCORPORATED AND SHOULD NOT BE USED WITHOUT WRITTEN PERMISSION