

PLEASE CHECK WWW.MOLEX.COM FOR LATEST PART INFORMATION

Part Number: [0473622031](#)

Status: **Active**

Overview: [serial ata 127 host receptacles](#)

Description: 1.27mm (.050") Pitch Combo SATA Cable Connector, Right Angle Type, without Arris, with bumps, 0.76µm (30µ") Gold(Au) Plating, 22 Circuits, LeadFree

Documents:

[3D Model](#)

[Product Specification PS-47362-001 \(PDF\)](#)

[Drawing \(PDF\)](#)

[RoHS Certificate of Compliance \(PDF\)](#)

General

| | |
|----------------|---|
| Product Family | I/O Connectors |
| Series | 47362 |
| Application | Wire-to-Board |
| Comments | Right Angle Type |
| Component Type | Receptacle |
| Overview | serial ata 127 host receptacles |
| Product Name | Serial ATA |
| Type | N/A |

Physical

| | |
|--------------------------------|--------------------|
| Boot Color | N/A |
| Circuits (Loaded) | 22 |
| Circuits (maximum) | 22 |
| Circuits Detail | Signal 7, Power 15 |
| Color - Resin | Black |
| Durability (mating cycles max) | 50 |
| Gender | Receptacle |
| Keying to Mating Part | Yes |
| Lock to Mating Part | Yes |
| Material - Metal | Copper Alloy |
| Material - Plating Mating | Gold |
| Material - Plating Termination | Tin |
| Number of Rows | 1 |
| Orientation | Right Angle |
| PCB Locator | No |
| PCB Retention | None |
| PCB Thickness Recommended (in) | 0.039 In |
| PCB Thickness Recommended (mm) | 1.00 mm |
| Packaging Type | Tray |
| Panel Mount | Yes |
| Pitch - Mating Interface (in) | 0.050 In |
| Pitch - Mating Interface (mm) | 1.27 mm |
| Pitch - Term. Interface (in) | 0.050 In |
| Pitch - Term. Interface (mm) | 1.27 mm |
| Plating min: Mating (µin) | 30 |
| Plating min: Mating (µm) | 0.76 |
| Plating min: Termination (µin) | 50 |
| Plating min: Termination (µm) | 1.27 |
| Polarized to Mating Part | Yes |
| Polarized to PCB | Yes |
| Ports | 2 |
| Temperature Range - Operating | -35°C to +85°C |
| Termination Interface: Style | Through Hole |
| Waterproof / Dustproof | No |
| Wire Size AWG | N/A |

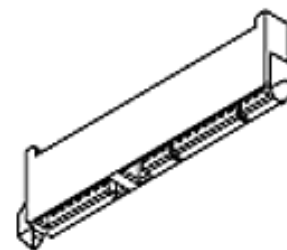


image - Reference only

Series

EU RoHS

**ELV and RoHS
Compliant**
**REACH SVHC
Not Reviewed**
**Halogen-Free
Status**

China RoHS



**Need more information on product
environmental compliance?**

Email productcompliance@molex.com
For a multiple part number RoHS Certificate of
Compliance, [click here](#)

Please visit the [Contact Us](#) section for any
non-product compliance questions.

Search Parts in this Series

[47362Series](#)

Electrical

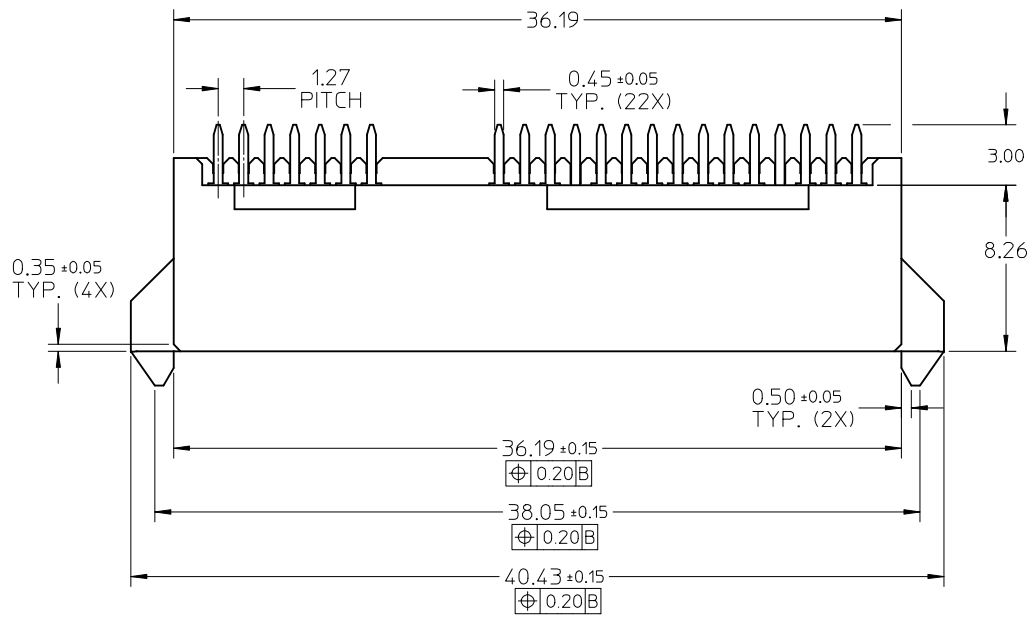
| | |
|-------------------------------|--------|
| Current - Maximum per Contact | 1.5A |
| Voltage - Maximum | 15V DC |

Material Info**Reference - Drawing Numbers**

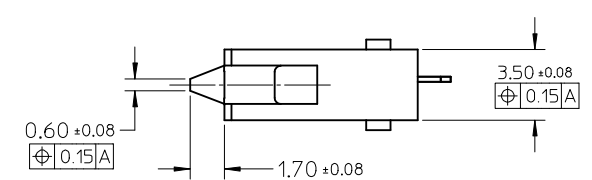
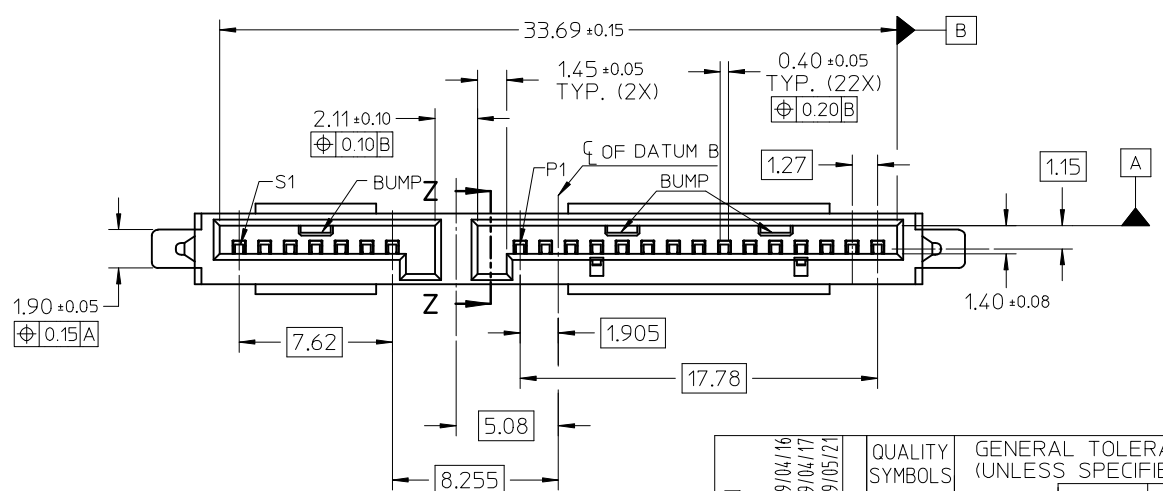
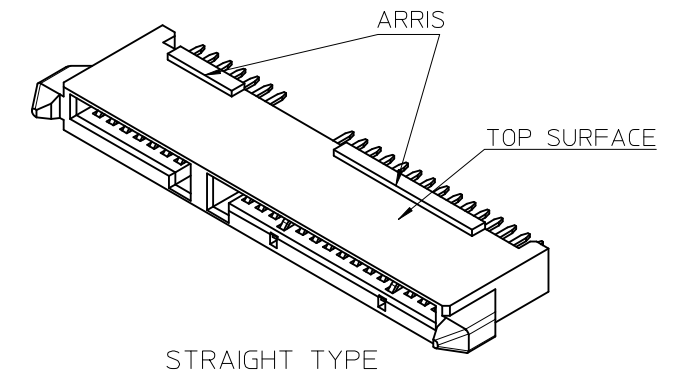
| | |
|-------------------------|--------------|
| Packaging Specification | PK-47362-001 |
| Product Specification | PS-47362-001 |
| Sales Drawing | SD-47362-100 |

This document was generated on 05/19/2010

PLEASE CHECK WWW.MOLEX.COM FOR LATEST PART INFORMATION

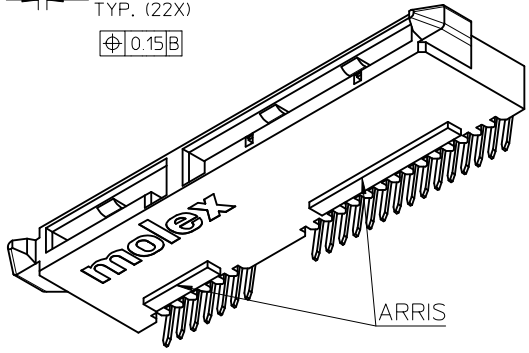
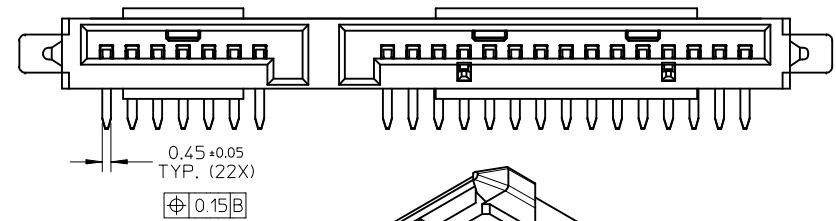
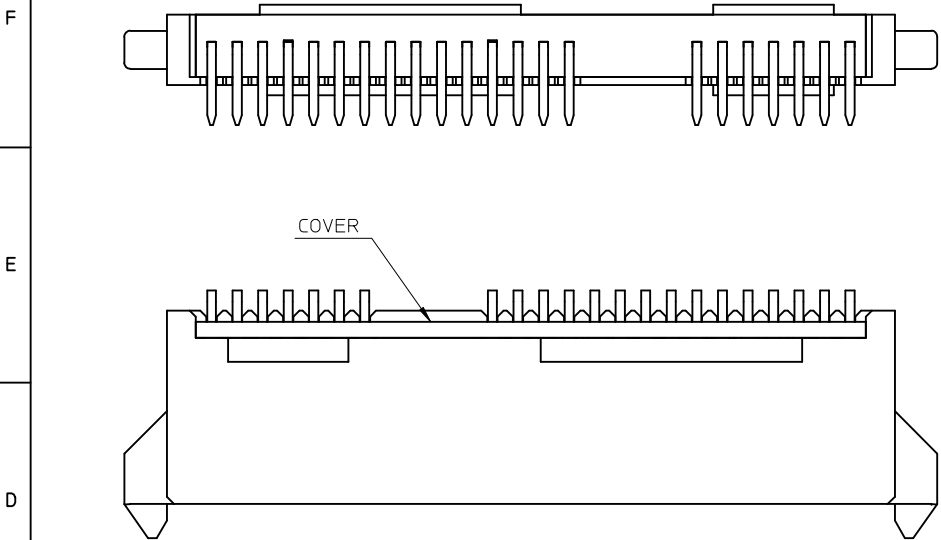


- NOTES:
- MATERIAL:
 - HOUSING: THERMAL PLASTIC, GLASS FILLED, UL94V-0, COLOR: BLACK.
 - TERMINAL: COPPER ALLOY, THICKNESS=0.25MM.
 - TERMINAL PLATING:
 - CONTACT AREA: GOLD PLATED, SEE TABLE.
 - SOLDER AREA: PURE TIN, THICKNESS=1.27 MICRONS MINIMUM.
 - UNDER PLATE: NICKLE, THICKNESS=1.27 MICRONS MINIMUM.
 - PRODUCT SPECIFICATION: REFER TO PS-47362-001.
 - PACKAGING METHOD: REFER TO PK-47362-001.
 - PRODUCT COMPLIANT TO RoHS DIRECTIVE 2002/95/EC AND ELV DIRECTIVE 2000/53/EC

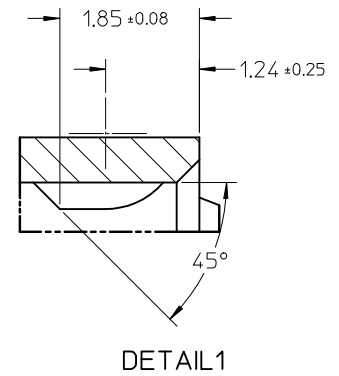
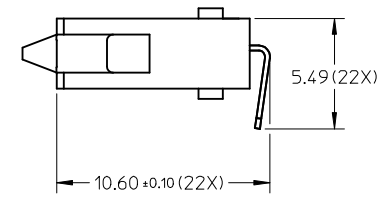
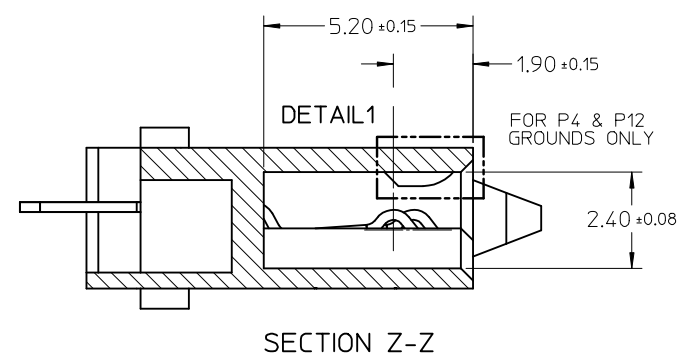


| | | | | | | |
|--|-----------------|--|---|---------------------------------|--------------|------------------------|
| ADD NEW OPTION EC NO: SH2009-0500 DRWN: XJSONG 2009/04/16 CHKD: XJSONG 2009/04/17 APPR: HWANG 2009/05/21 REV DESCRIPTION | QUALITY SYMBOLS | GENERAL TOLERANCES (UNLESS SPECIFIED) | DIMENSION STYLE | SCALE | DESIGN UNITS | THIRD ANGLE PROJECTION |
| | ▽=0 ▽=0 | mm INCH 4 PLACES ± --- ± --- 3 PLACES ± --- ± --- 2 PLACES ± 0.2 ± --- 1 PLACE ± 0.25 ± --- ANGULAR ± 3 ° | MM ONLY | 4:1 | METRIC | |
| | | DRAFT WHERE APPLICABLE MUST REMAIN WITHIN DIMENSIONS | DRAWN BY DATE | TITLE | | |
| | | | BCHEN26 2005/12/05 CHECKED BY DATE DIXON 2005/12/05 APPROVED BY DATE GRATE 2005/12/05 | COMBO SATA RECEPTACLE CABLE END | | |
| | | | MATERIAL NO. | DOCUMENT NO. | SHEET NO. | |
| | | | SEE SHEET 4 | SD-47362-100 | 1 OF 4 | |
| | | | THIS DRAWING CONTAINS INFORMATION THAT IS PROPRIETARY TO MOLEX INCORPORATED AND SHOULD NOT BE USED WITHOUT WRITTEN PERMISSION | | | |

10 9 8 7 6 5 4 3 2 1



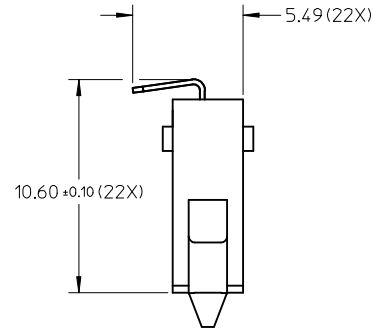
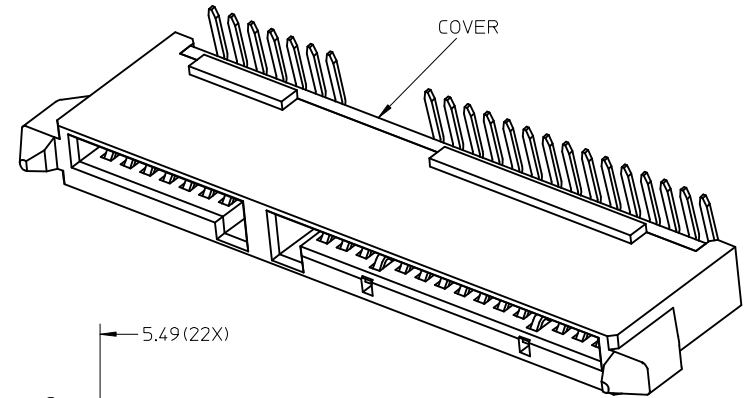
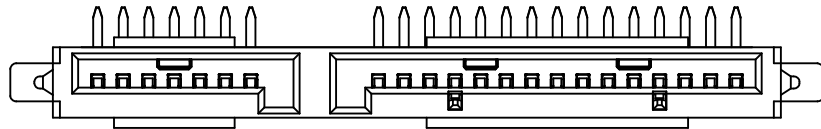
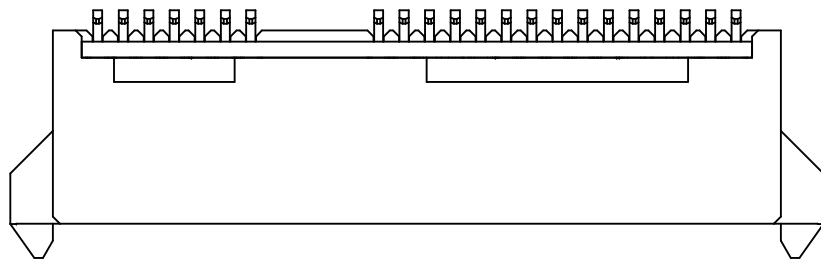
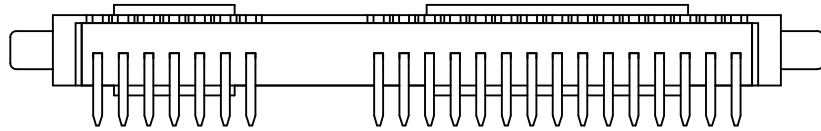
RIGHT ANGLE(90 DEGREE) TYPE
OTHER DIMENSIONS REFER TO STRAIGHT TYPE



| | | | | | | | | | |
|---|-------------------------------|--|---|----------------------------|--------------------|--|------------------------------|------------------------|--|
| SEE SHEET 1 IEC NO: SH2009-0500 DRWN: XJ.SONG 2009/04/16 CHKD: XJ.SONG 2009/04/17 APPR: H.WANG 2009/05/21 | QUALITY SYMBOLS ▽=0 ◻=0 | GENERAL TOLERANCES (UNLESS SPECIFIED) | | DIMENSION STYLE MM ONLY | | SCALE 4:1 | DESIGN UNITS METRIC | THIRD ANGLE PROJECTION | |
| | | 4 PLACES ± --- ± --- 3 PLACES ± --- ± --- 2 PLACES ± 0.2 ± --- 1 PLACE ± 0.25 ± --- | mm INCH ± --- ± --- ± 0.2 ± --- ± 0.25 ± --- | DRAWN BY BCHEN26 | DATE 2005/12/05 | TITLE COMBO SATA RECEPTACLE CABLE END | | | |
| | | ANGULAR ± 3 ° | | CHECKED BY DIXON | DATE 2005/12/05 | MOLEX INCORPORATED | | | |
| | | DRAFT WHERE APPLICABLE MUST REMAIN WITHIN DIMENSIONS | | APPROVED BY GRATE | DATE 2005/12/05 | MATERIAL NO. SEE SHEET 4 | DOCUMENT NO. SD-47362-100 | SHEET NO. 2 OF 4 | |
| THIS DRAWING CONTAINS INFORMATION THAT IS PROPRIETARY TO MOLEX INCORPORATED AND SHOULD NOT BE USED WITHOUT WRITTEN PERMISSION | | | | | | | | | |

9 8 7 6 5 4 3 2 1

10 9 8 7 6 5 4 3 2 1



RIGHT ANGLE(270 DEGREE) TYPE
OTHER DIMENSIONS REFER TO RIGHT ANGLE(90 DEGREE) TYPE

| | | | | | | | | | |
|--|-----------------------------------|---------------------------------------|---------------|---|----------------------|--------------------|--|------------------------|--|
| SEE SHEET 1 EC NO: SH2009-0500 DRWN: XJ SONG 2009/04/16 CHKD: XJ SONG 2009/04/17 APPR: H WANG 2009/05/21 | QUALITY SYMBOLS ▽ = 0 ▽ = 0 | GENERAL TOLERANCES (UNLESS SPECIFIED) | | DIMENSION STYLE MM ONLY | | SCALE 4:1 | DESIGN UNITS METRIC | THIRD ANGLE PROJECTION | |
| | | | mm | INCH | DRAWN BY BCHEN26 | DATE 2005/12/05 | TITLE COMBO SATA RECEPTACLE CABLE END | | |
| | | 4 PLACES | ± --- | ± --- | CHECKED BY DIXON | DATE 2005/12/05 | | | |
| | | 3 PLACES | ± --- | ± --- | APPROVED BY GRATE | DATE 2005/12/05 | MOLEX INCORPORATED | | |
| 2 PLACES | ± 0.2 | ± --- | MATERIAL NO. | DOCUMENT NO. | | | | | |
| 1 PLACE | ± 0.25 | ± --- | ANGULAR ± 3 ° | | SEE SHEET 4 | | SD-47362-100 | SHEET NO. 3 OF 4 | |
| DRAFT WHERE APPLICABLE MUST REMAIN WITHIN DIMENSIONS | | SIZE A3 | | THIS DRAWING CONTAINS INFORMATION THAT IS PROPRIETARY TO MOLEX INCORPORATED AND SHOULD NOT BE USED WITHOUT WRITTEN PERMISSION | | | | | |

9 8 7 6 5 4 3 2 1

