

PLEASE CHECK WWW.MOLEX.COM FOR LATEST PART INFORMATION

Part Number: [0887577810](#)
Status: **Active**
Overview: serial_ata_products
Description: 1.27mm (.050") Pitch Serial ATA Power-to-pigtail Cable Assembly, Crimping Type, 1.50m (4.92') Length, Gold Flash, 3.3V+5V+12V, Leadfree

Documents:

[Drawing \(PDF\)](#) [RoHS Certificate of Compliance \(PDF\)](#)

General

Product Family	Cable Assemblies
Series	68761
Connector to Connector	Serial ATA-to-Pigtail
Overview	serial_ata_products
Product Name	Serial ATA

Physical

Cable Length	1.50m (4.92')
Circuits (Loaded)	5
Color - Resin	Black
Gender	Female-Pigtail
Lock to Mating Part	Yes
Material - Metal	Phosphor Bronze
Material - Plating Mating	Gold
Material - Plating Termination	Tin
Material - Resin	Polyester
Packaging Type	Bag
Pitch - Mating Interface (in)	0.050 In
Pitch - Mating Interface (mm)	1.27 mm
Plating min: Mating (µin)	2
Plating min: Mating (µm)	0.05
Plating min: Termination (µin)	75
Plating min: Termination (µm)	1.875
Single Ended	Yes
Termination Interface: Style	Crimp or Compression
Wire Insulation Diameter	N/A
Wire Size AWG	18
Wire/Cable Type	PVC

Electrical

Current - Maximum per Contact	1.5A
Impedance	100 ohms
Shielded	No
Voltage - Maximum	40V

Material Info

Reference - Drawing Numbers

Sales Drawing	SD-88755-005
---------------	--------------

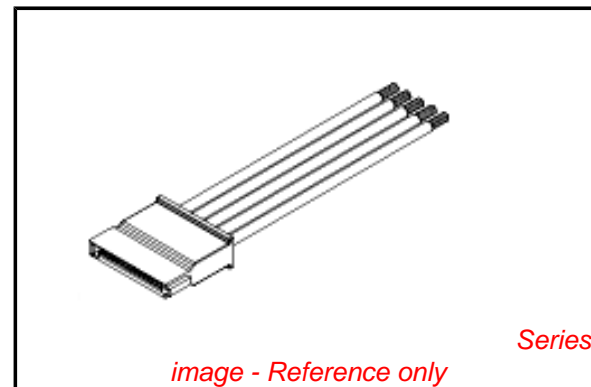


image - Reference only

EU RoHS

**ELV and RoHS
Compliant**
REACH SVHC
 Not Reviewed
**Halogen-Free
Status**

China RoHS



**Need more information on product
environmental compliance?**

Email productcompliance@molex.com
 For a multiple part number RoHS Certificate of Compliance, [click here](#)

Please visit the [Contact Us](#) section for any non-product compliance questions.

Search Parts in this Series

[68761Series](#)

6

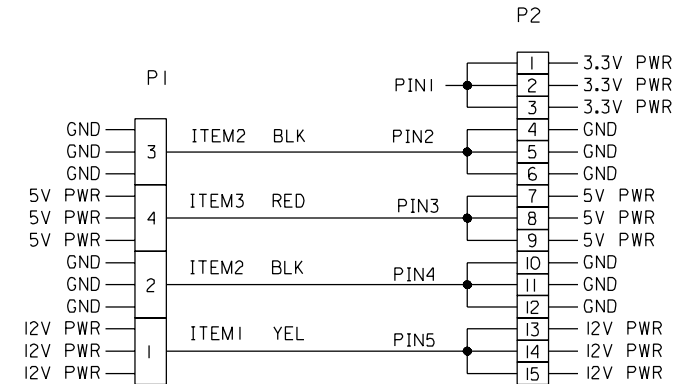
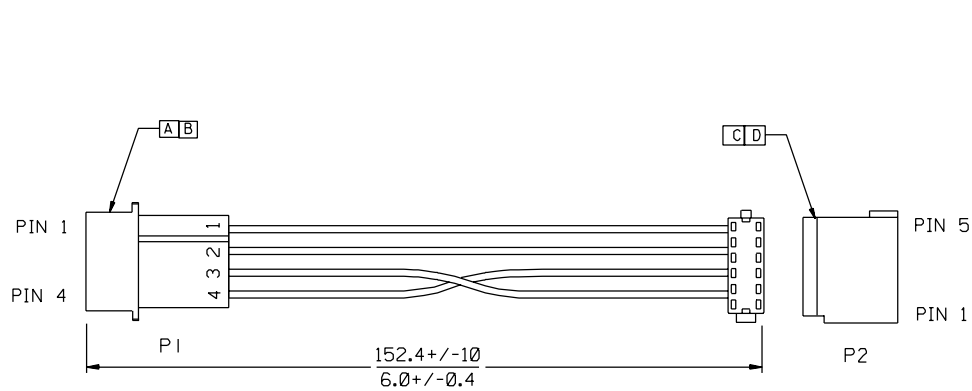
5

4

3

2

1



NOTE: I. ELECTRIC PERFORMANCE:

DIELECTRONIC STRENGTH: 500 V DC/0.01Sec.

INSULATION RESISTANCE: 100M OHMS Min.

CONDUCTIVE RESISTANCE: 2 OHMS Max.

887614510	679260012	30u" Gold-plated
887614500	679260011	Gold Flash
MATERIAL NO	S-ATA CONN.	DESCRIPTION

D	COVER 679260040	1	
C	S-ATA CONN.: SEE TABLE	1	
B	4P CONTACT 887899491	4	
A	4P PWR HOUSING 887899490	1	
3	UL1007 #18 RED 887711351	1	144
2	UL1007 #18 BLK 887711350	2	288
1	UL1007 #18 YEL 887711353	1	144
ITEM	DESCRIPTION	QTY	L(mm)

EC NO. DRWN: Louis 03/09/08 CHK: APPR:	DESCRIPTION REV	QUALITY SYMBOLS	GENERAL TOLERANCES: (UNLESS SPECIFIED)		SCALE N.T.S	DESIGN UNITS <input checked="" type="checkbox"/> mm <input type="checkbox"/> INCH	THIRD ANGLE PROJECTION	DIMENSIONS: <input checked="" type="checkbox"/> mm <input type="checkbox"/> INCH <input type="checkbox"/> mm ONLY		SHT	REV	
		MAJOR ▼ = 0 CRITICAL ▽ = 0	mm	INCH	DRAWN BY & DATE Louis Chen 03/09/08	TITLE: S-ATA IDT POWER ADAPTER CABLE (5V+12V), 6 INCH						
			4 PLACES ±0.	±.	CHECKED BY & DATE David Wang 03/09/08	MOLEX INCORPORATED						
			3 PLACES ±0.	±.	APPROVED BY & DATE Ricky Leung 03/09/08	CAD FILENAME J6145-XX .DGN	MATERIAL NO. 887-6145-XX	DRAWING NO. SD-88755-006	SHEET NO. 1 OF 1			
A			2 PLACES ±0.	±.	THIS DRAWING CONTAINS INFORMATION THAT IS PROPRIETARY TO MOLEX INCORPORATED AND SHOULD NOT BE USED WITHOUT WRITTEN PERMISSION.							SIZE A4
			1 PLACE ±0.	±.								
			ANGULAR: ± °									