

**PLEASE CHECK WWW.MOLEX.COM FOR LATEST PART INFORMATION**

**Part Number:** [5010170608](#)  
**Status:** **Active**  
**Description:** 0.40mm (.016") Pitch Board-to-Board Receptacle, SMT, Dual Row, Vertical, 4.00mm (.157") Stacking Height, 60 Circuits

**Documents:**

[3D Model](#) [Product Specification PS-54684-007 \(PDF\)](#)  
[Drawing \(PDF\)](#) [RoHS Certificate of Compliance \(PDF\)](#)

**General**

|                |                        |
|----------------|------------------------|
| Product Family | PCB Headers            |
| Series         | <a href="#">501017</a> |
| Application    | Board-to-Board         |
| Product Name   | N/A                    |

**Physical**

|                                |                       |
|--------------------------------|-----------------------|
| Breakaway                      | No                    |
| Circuits (Loaded)              | 60                    |
| Color - Resin                  | Brown                 |
| Durability (mating cycles max) | 30                    |
| First Mate / Last Break        | No                    |
| Glow-Wire Compliant            | No                    |
| Guide to Mating Part           | No                    |
| Keying to Mating Part          | None                  |
| Lock to Mating Part            | None                  |
| Mated Height (in)              | 0.157 In              |
| Mated Height (mm)              | 4.00 mm               |
| Material - Metal               | Phosphor Bronze       |
| Material - Plating Mating      | Gold                  |
| Material - Plating Termination | Gold                  |
| Number of Rows                 | 2                     |
| Orientation                    | Vertical              |
| PCB Locator                    | No                    |
| PCB Retention                  | None                  |
| Packaging Type                 | Embossed Tape on Reel |
| Pitch - Mating Interface (in)  | 0.016 In              |
| Pitch - Mating Interface (mm)  | 0.40 mm               |
| Pitch - Term. Interface (in)   | 0.016 In              |
| Pitch - Term. Interface (mm)   | 0.40 mm               |
| Polarized to Mating Part       | No                    |
| Polarized to PCB               | No                    |
| Stackable                      | No                    |
| Temperature Range - Operating  | -25°C to +105°C       |
| Termination Interface: Style   | Surface Mount         |

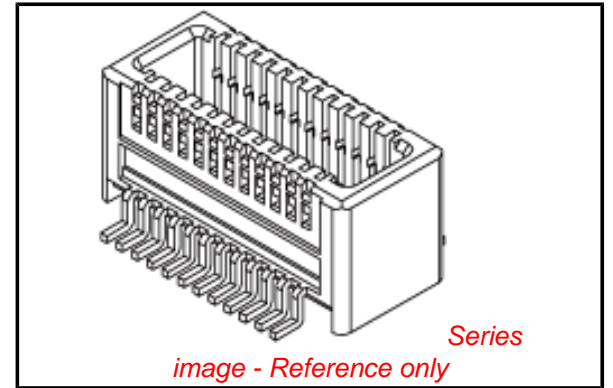
**Electrical**

|                               |                 |
|-------------------------------|-----------------|
| Current - Maximum per Contact | 0.3A            |
| Voltage - Maximum             | 30V AC (RMS)/DC |

**Material Info**

**Reference - Drawing Numbers**

|                       |  |
|-----------------------|--|
| Product Specification | PS-54684-007, RPS-54684-020, RPS-54684-022 |
| Sales Drawing         | SD-501017-001, SD-501017-002               |



**EU RoHS**

**ELV and RoHS Compliant**  
**REACH SVHC**  
 Not Reviewed  
**Halogen-Free Status**  
 Not Reviewed

**China RoHS**



**Need more information on product environmental compliance?**

Email [productcompliance@molex.com](mailto:productcompliance@molex.com)  
 For a multiple part number RoHS Certificate of Compliance, [click here](#)

Please visit the [Contact Us](#) section for any non-product compliance questions.

**Search Parts in this Series**

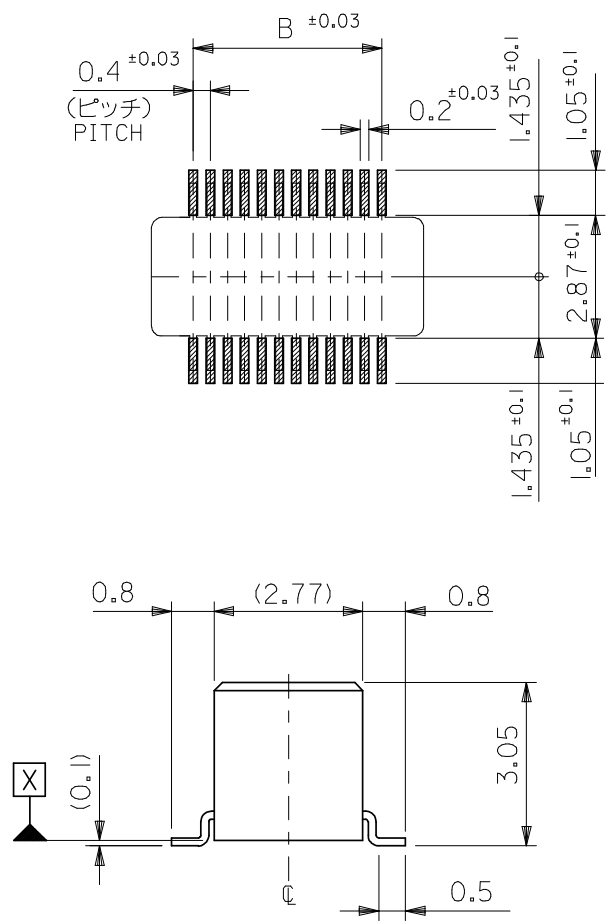
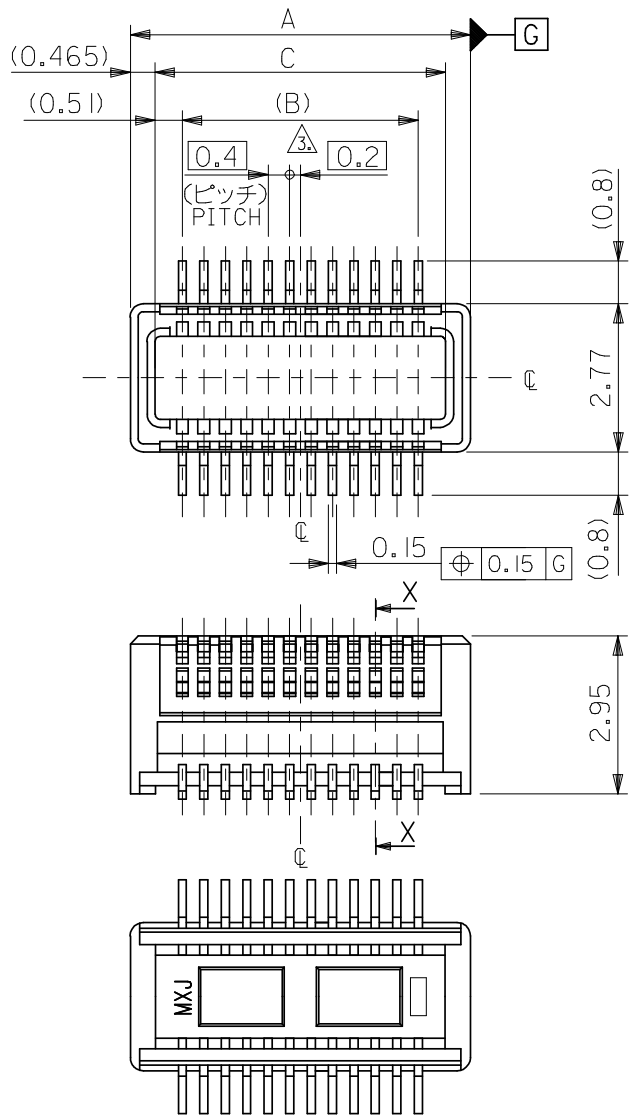
[501017Series](#)

**Mates With**

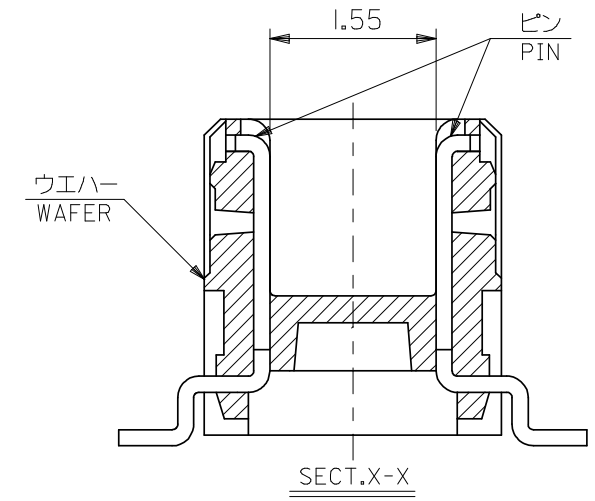
[54684 PCB Receptacle](#)

This document was generated on 05/18/2010

**PLEASE CHECK [WWW.MOLEX.COM](http://WWW.MOLEX.COM) FOR LATEST PART INFORMATION**



参考基板レイアウト (マウント面)  
RECOMMENDED P.C.BOARD  
PATTERN DIMENSION. (REF.)  
(MOUNTING AREA)



|       |      |       |              |         |
|-------|------|-------|--------------|---------|
| 20.64 | 19.6 | 21.55 | 501017-1007  | 100     |
| 16.63 | 15.6 | 17.55 | 501017-0807  | 80      |
| 12.64 | 11.6 | 13.55 | 501017-0607  | 60      |
| 10.64 | 9.6  | 11.55 | 501017-0507  | 50      |
| 5.42  | 4.4  | 6.35  | 501017-0247  | 24      |
| C     | B    | A     | MATERIAL NO. | CIRCUIT |

MODEL NO. 501017-\*\*\*\*7

MATERIAL  
材料  
注記参照  
SEE NOTES

REVISED  
EC NO: J2008-2284  
DRWN: YMAEDA 2007/12/04  
CHKD: NUKITA 2007/12/06  
APPR: NUKITA 2007/12/06

DESCRIPTION

GENERAL TOLERANCES (UNLESS SPECIFIED)

|                  |        |
|------------------|--------|
| 10 UNDER         | ±0.2   |
| 10 OVER 30 UNDER | ±0.25  |
| 30 OVER          | ±0.3   |
| ANGULAR          | ±--- ° |

DRAFT WHERE APPLICABLE  
MUST REMAIN  
WITHIN DIMENSIONS

DIMENSION STYLE  
MM ONLY

SCALE  
---

DESIGN UNITS  
METRIC

THIRD ANGLE  
PROJECTION

TITLE  
0.4MM B-TO-B CONN  
NO BOSS PLUG ASSY  
(HGT=4MM)

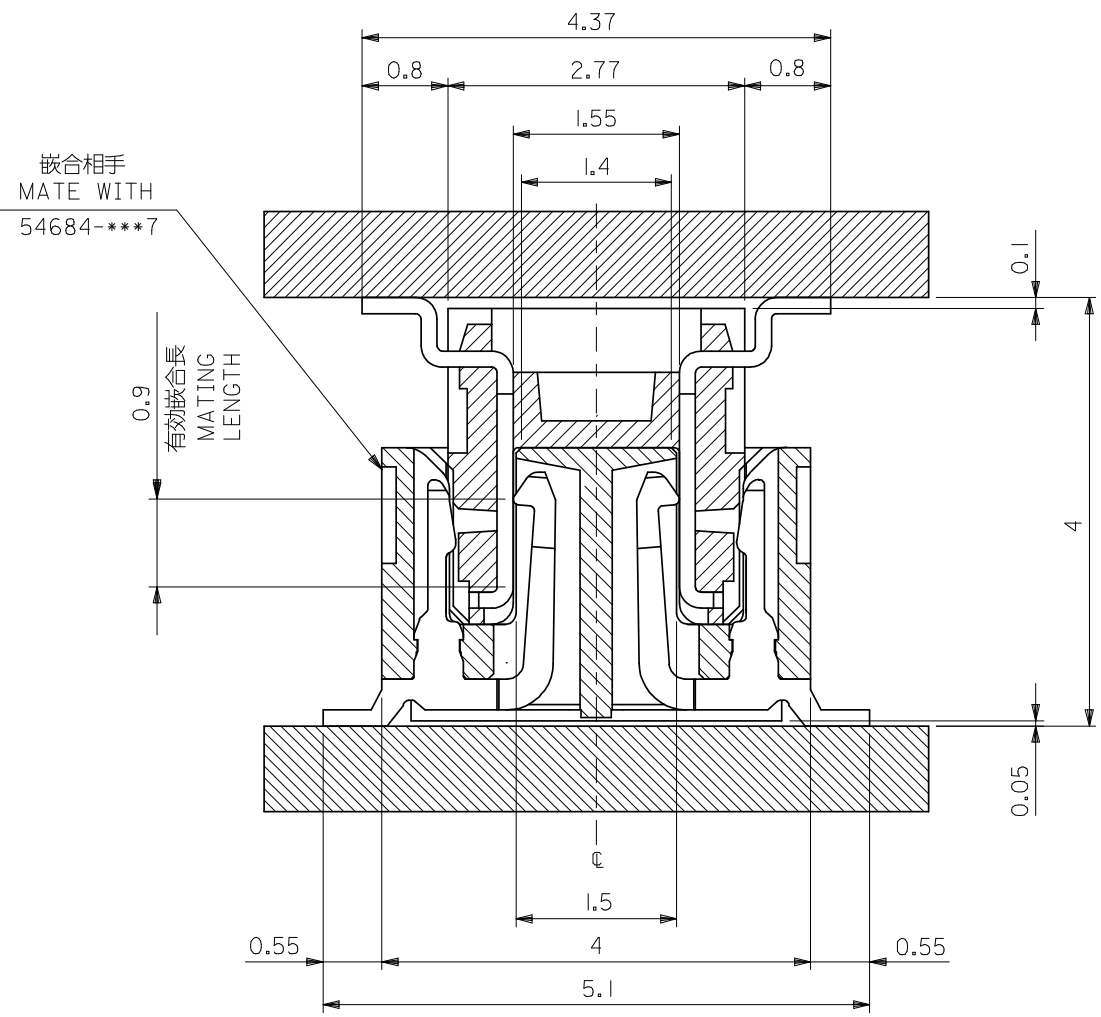
MOLEX INCORPORATED

MATERIAL NO. SEE TABLE

DOCUMENT NO. SD-501017-001

SHEET NO. 1 OF 2

THIS DRAWING CONTAINS INFORMATION THAT IS PROPRIETARY TO MOLEX INCORPORATED AND SHOULD NOT BE USED WITHOUT WRITTEN PERMISSION



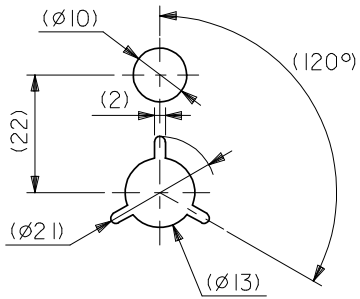
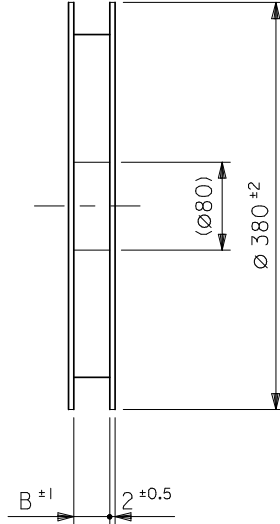
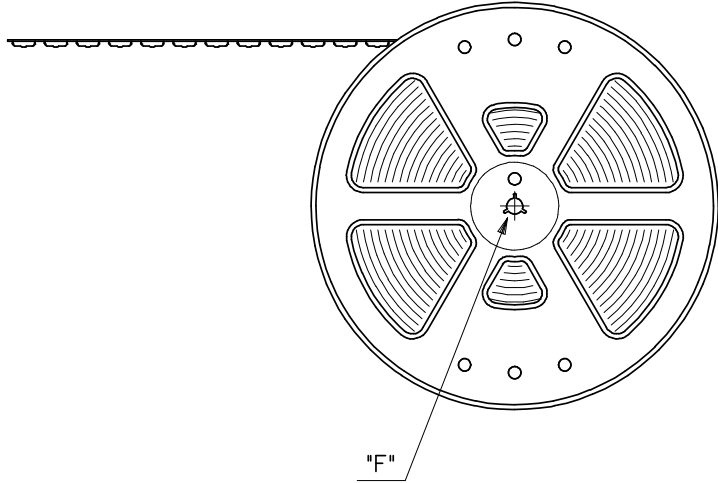
注記 NOTES:

1. 使用材料 MATERIAL  
 ウエハー:液晶ポリマー ガラス充填 UL94V-0 茶色  
 WAFER:LIQUID CRYSTAL POLYMER  
 GLASS FILLED UL94V-0  
 COLOR BROWN  
 ピン:リン青銅 (t=0.15)  
 PIN:PHOSPHOR BRONZE(t=0.15)
2. メッキ仕様 PLATING  
 金メッキ 0.25 マイクロメートル以上(コンタクト部)  
 GOLD 0.25MICROMETER MINIMUM(CONTACT AREA)  
 金メッキ 0.4 マイクロメートル以下(テール部)  
 GOLD 0.4MICROMETER MAXIMUM(TAIL AREA)  
 下地メッキ:ニッケルメッキ1.5 マイクロメートル以上  
 UNDER PLATING : NICKEL 1.5MICROMETER MINIMUM
3. (全極数/2) = 偶数の場合に適用。  
 APPLY FOR (CIRCUIT/2)=EVEN.
4. 嵌合相手:54684 シリーズ  
 MATE WITH : 54684 SERIES.
5. テール平坦度は、0.10 MAX.  
 TAIL COPLANARITY TO BE 0.10 MAX.  
 又、テール半田付け面の位置はウエハーの底面  に対し  
 上方向に0、下方向に0.15MAX.とする。  
 MISALIGNMENT OF SOLDER TAILS FROM   
 : UPPER DIRECTION 0  
 : LOWER DIRECTION 0.15 MAX.

嵌合断面図 (参考)  
 MATED DRAWING (REF.)

|                |  |  |             |  |        |  |                    |  |                        |                           |
|----------------|--|--|-------------|--|--------|--|--------------------|--|------------------------|---------------------------|
| MATERIAL<br>材料 | SHEET 1 OF 2 参照<br>REFER TO SHEET 1 OF 2 | REVISED<br>EC NO: J2008-2284<br>DRWN:YMAEDA 2007/12/04<br>CHKD:NUKITA 2007/12/06<br>APPR:NUKITA 2007/12/06 | DESCRIPTION | GENERAL TOLERANCES<br>(UNLESS SPECIFIED)                   |        | DIMENSION STYLE<br>MM ONLY   |                    | SCALE<br>---   | DESIGN UNITS<br>METRIC | THIRD ANGLE<br>PROJECTION |
|                |  |  |             | 10 UNDER   | ±0.2   | DRAWN BY<br>Y. NUKANO  | DATE<br>2004/06/05 | TITLE<br>0.4MM B-TO-B CONN<br>NO BOSS PLUG ASSY<br>(HGT=4MM) |                        |                           |
|                |  |  |             | 10 OVER 30 UNDER   | ±0.25  | CHECKED BY<br>T. HIRATA  | DATE<br>2004/06/05 | MOLEX INCORPORATED   |                        |                           |
|                |  |  |             | 30 OVER  | ±0.3   | APPROVED BY<br>M. SASAO  | DATE<br>2004/06/05 | DOCUMENT NO.<br>SD-501017-001                                |                        | SHEET NO.<br>2 OF 2       |
|                |  |  |             | ANGULAR  | ±--- ° | MATERIAL NO.<br>SEE TABLE  |                    |  |                        |                           |
|                |  |  |             | DRAFT WHERE APPLICABLE<br>MUST REMAIN<br>WITHIN DIMENSIONS |        | THIS DRAWING CONTAINS INFORMATION THAT IS PROPRIETARY TO MOLEX<br>INCORPORATED AND SHOULD NOT BE USED WITHOUT WRITTEN PERMISSION |                    |  |                        |                           |

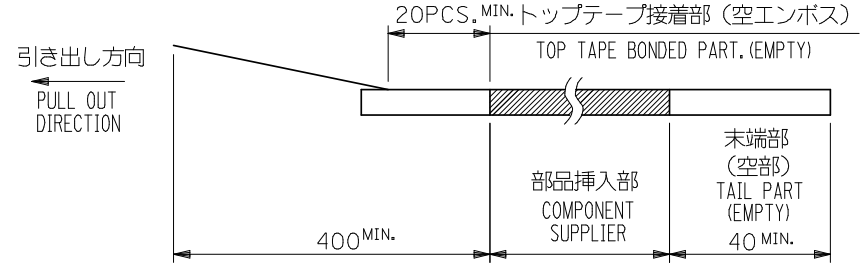
引き出し方向  
PULL OUT  
DIRECTION



DETAIL "F"

NOTES

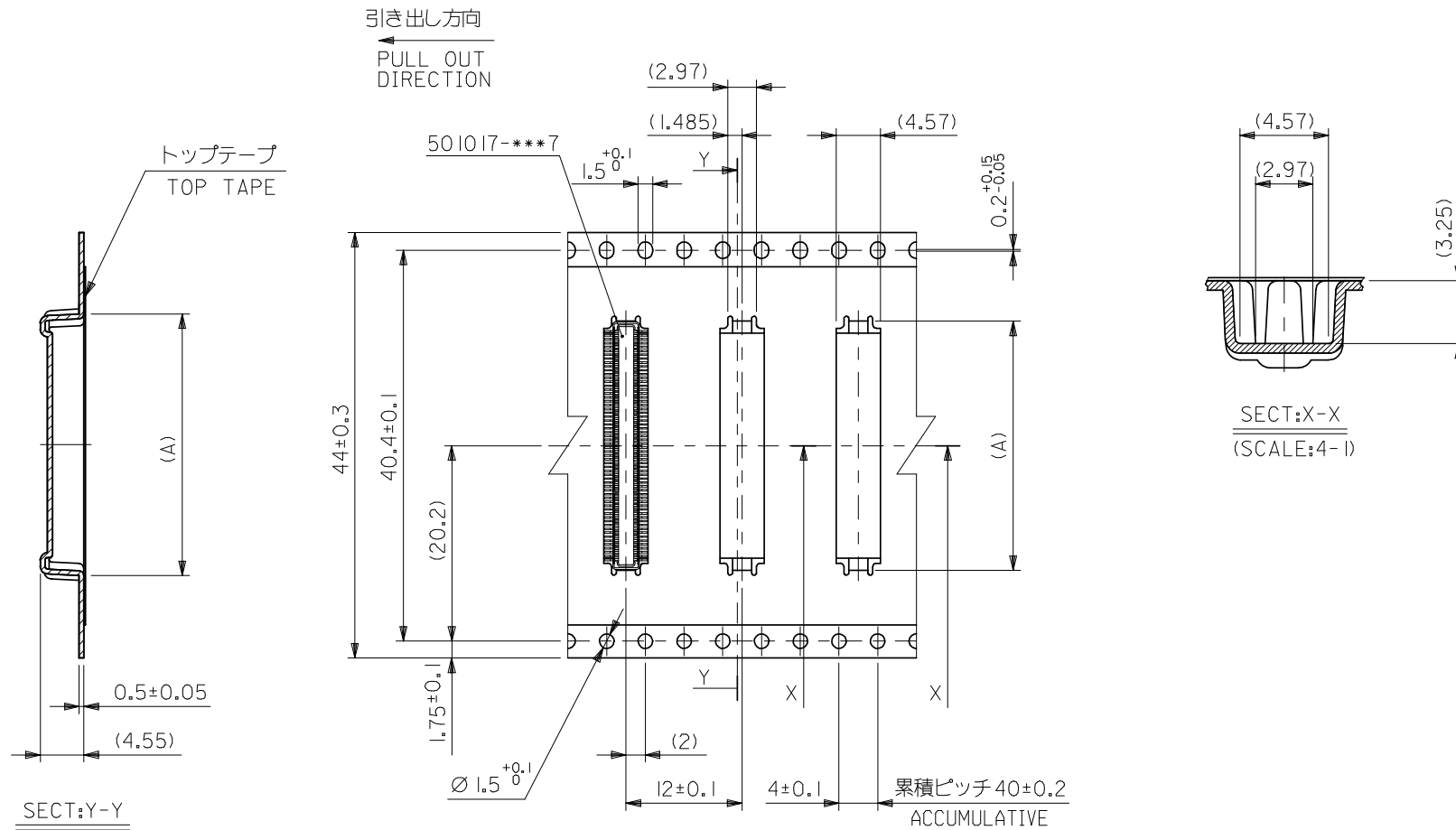
- 製品詳細寸法については図面 SD-501017-001 を参照下さい。  
RE DETAILED DIMENSION, SEE SD-501017-001
- 梱包数量：1500個/リール  
NUMBER OF CONNECTORS：1500PCS/REEL
- リードテープ長さ LEAD TAPE LENGTH



- トップテープの剥離強度：「JES-59」参照  
PEELING OFF FORCE OF TOPTAPE：SEE「JES-59」
- シール位置はトップテープ両端から0.5mm以上内側にて行い、  
且つエンボスポケット面にかからない位置とする。  
SEAL POSITION IS 0.5mm OR MORE INNER SIDE FROM TOP TAPE BOTH ENDS  
AND WHICH IS NOT TAKE ON THE EMBOSSED POKET SIDE.
- 材料(MATERIAL)  
キャリアテープ(CARRIER TAPE)：ポリプロピレン(POLYPROPYLENE)  
トップテープ(TOPTAPE)：PET, PE, PEF  
リール(REEL)：ポリスチレン(P.S) <リサイクル材を含む>  
POLYSTYRENE(PS) <RECYCLE MATERIAL CONTAINED>

MODEL NO. 501017-\*\*\*8

|  |             |  |       |  |                    |  |                        |                           |  |
|--|-------------|--|-------|--|--------------------|--|------------------------|---------------------------|--|
| REVISED<br>EC NO: J2008-2284<br>DRWN:YMAEDA 2007/12/04<br>CHKD:NUKITA 2007/12/06<br>APPR:NUKITA 2007/12/06 | DESCRIPTION | GENERAL TOLERANCES (UNLESS SPECIFIED)                      |       | DIMENSION STYLE<br>MM ONLY   |                    | SCALE<br>---                                       | DESIGN UNITS<br>METRIC | THIRD ANGLE<br>PROJECTION |  |
|  |             | 10 UNDER   | ±0.2  | DRAWN BY<br>YNUKANOBU  | DATE<br>2004/06/05 | TITLE<br>EMBOSSSED TAPE PACKAGE<br>FOR 501017-***7 |                        |                           |  |
|  |             | 10 OVER 30 UNDER   | ±0.25 | CHECKED BY<br>THIRATA  | DATE<br>2004/06/05 |  |                        |                           |  |
|  |             | 30 OVER  | ±0.3  | APPROVED BY<br>MSASAO  | DATE<br>2004/06/05 | MOLEX INCORPORATED                                 |                        |                           |  |
|  |             | ANGULAR  | ±3 °  | MATERIAL NO.<br>SEE TABLE  |                    |  |                        |                           |  |
| D  | REV         | DRAFT WHERE APPLICABLE<br>MUST REMAIN<br>WITHIN DIMENSIONS |       | THIS DRAWING CONTAINS INFORMATION THAT IS PROPRIETARY TO MOLEX<br>INCORPORATED AND SHOULD NOT BE USED WITHOUT WRITTEN PERMISSION |                    |  |                        |                           |  |



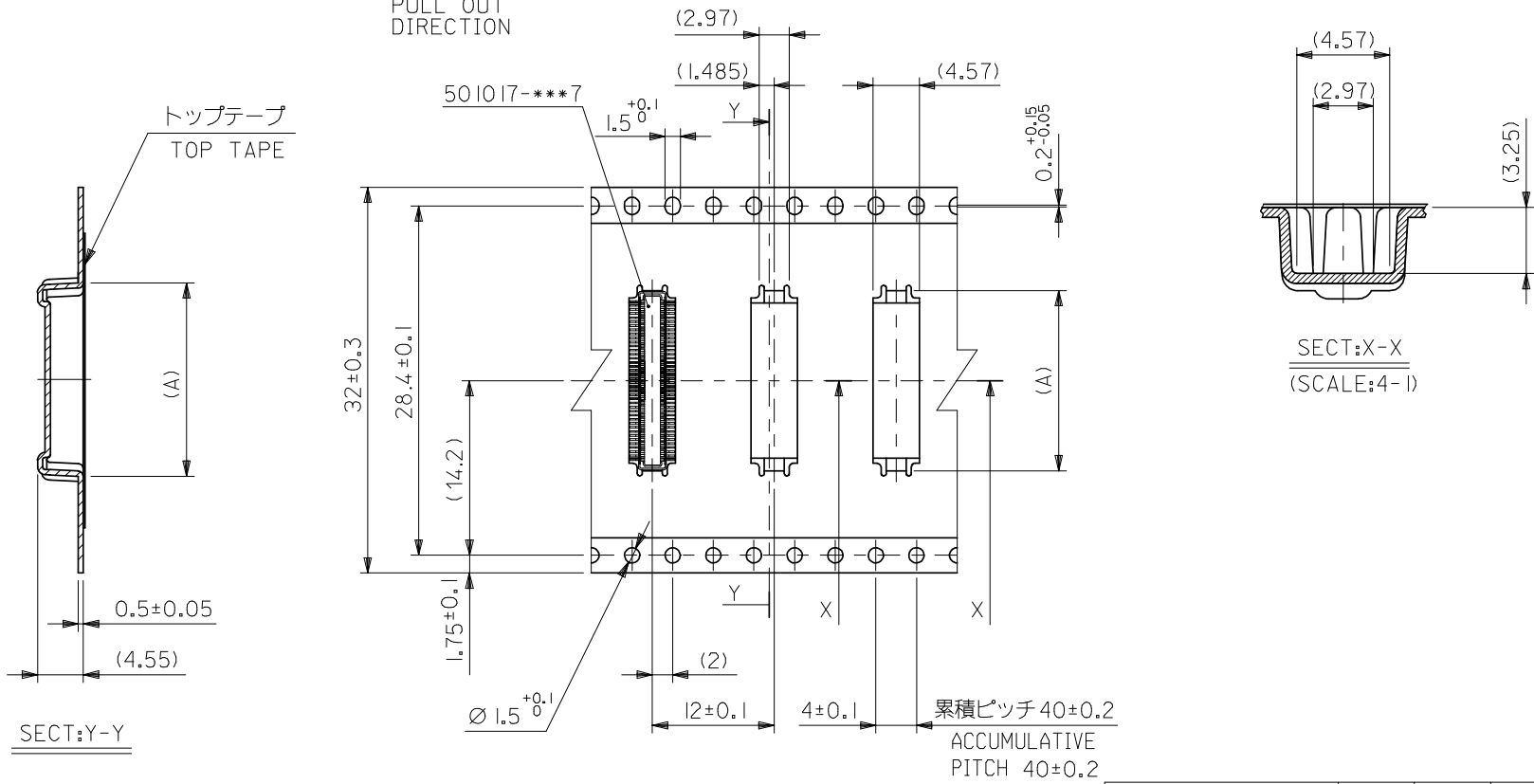
44mm幅キャリアテープ  
44mm WIDTH CARRIER TAPE

累積ピッチ 40±0.2  
ACCUMULATIVE PITCH 40±0.2

|                                |      |       |              |            |
|--------------------------------|------|-------|--------------|------------|
| 44                             | 45.5 | 21.75 | 501017-1008  | 100        |
| キャリアテープ幅<br>CARRIER TAPE WIDTH | B    | (A)   | MATERIAL NO. | 極数<br>CKT. |
| MODEL NO.                      |      |       | 501017-***8  |            |

|  |                                       |   |                 |              |                                      |                                     |
|--|---------------------------------------|---|-----------------|--------------|--------------------------------------|-------------------------------------|
| REVISED<br>EC NO: J2008-2284<br>DRWN: YMAEDA 2007/12/04<br>CH'KD: NUKITA 2007/12/06<br>APPR: NUKITA 2007/12/06 | GENERAL TOLERANCES (UNLESS SPECIFIED) |   | DIMENSION STYLE | SCALE        | DESIGN UNITS                         | THIRD ANGLE PROJECTION              |
|  |                                       |   | MM ONLY         | ---          | METRIC                               |                                     |
|  | 10 UNDER                              | ±0.2  | DRAWN BY        | DATE         | TITLE                                | MOLEX INCORPORATED<br>SD-501017-002 |
|  | 10 OVER 30 UNDER                      | ±0.25   | YNUKANOBU       | 2004/06/05   | EMBOSSD TAPE PACKAGE FOR 501017-***7 |                                     |
|  | 30 OVER                               | ±0.3  | CHECKED BY      | DATE         |                                      |                                     |
| ANGULAR  | ±3°                                   | APPROVED BY   | DATE            | MATERIAL NO. | DOCUMENT NO.                         | SHEET NO.                           |
| DRAFT WHERE APPLICABLE MUST REMAIN WITHIN DIMENSIONS   |                                       | MSASAO  | 2004/06/05      | SEE TABLE    | SD-501017-002                        | 2 OF 4                              |
|  |                                       | THIS DRAWING CONTAINS INFORMATION THAT IS PROPRIETARY TO MOLEX INCORPORATED AND SHOULD NOT BE USED WITHOUT WRITTEN PERMISSION |                 |              |                                      |                                     |

引き出し方向  
PULL OUT  
DIRECTION

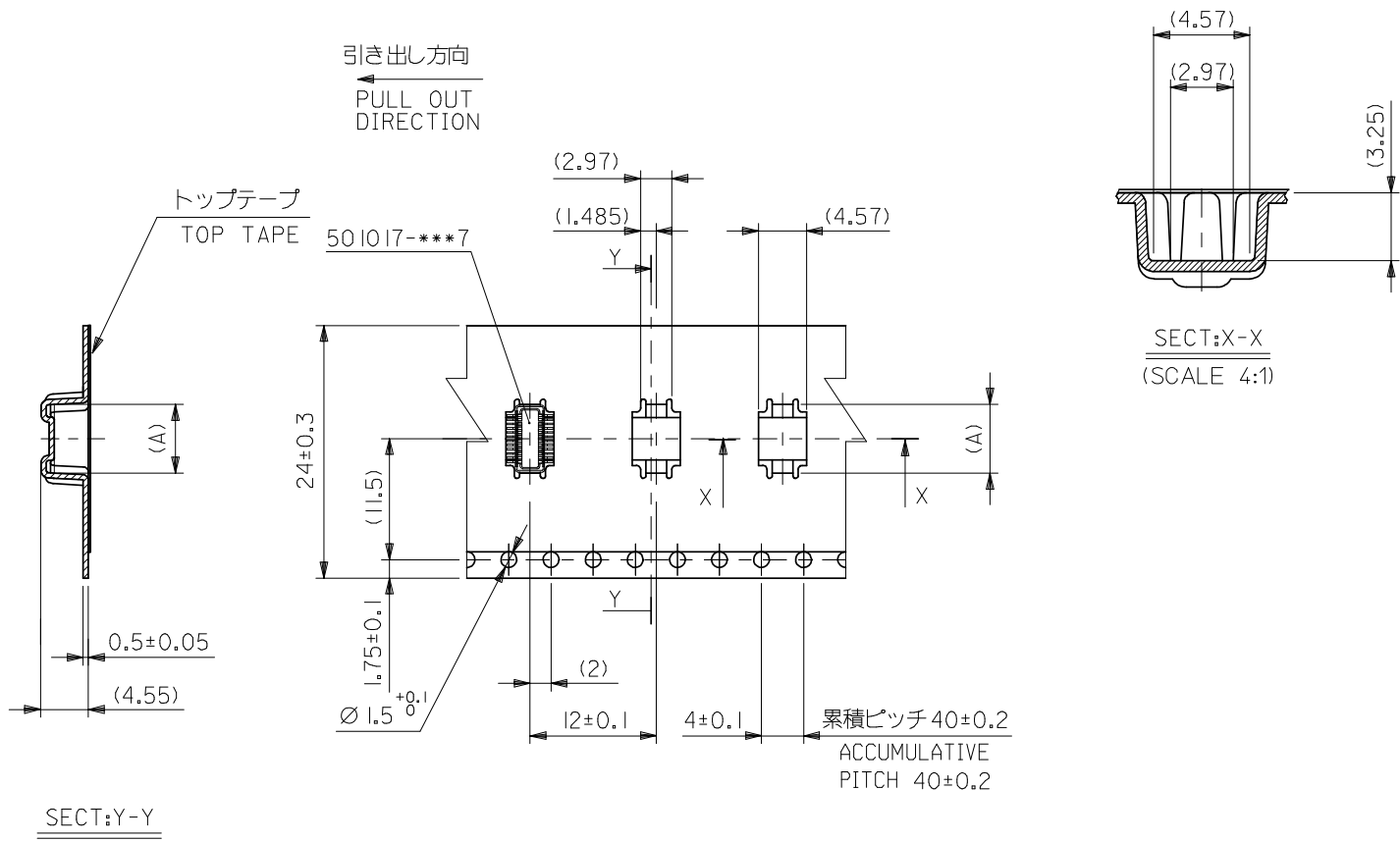


32 mm幅キャリアテープ  
32 mm WIDTH CARRIER TAPE

|                                |      |       |              |            |
|--------------------------------|------|-------|--------------|------------|
| 32                             | 33.5 | 17.75 | 501017-0808  | 80         |
|                                |      | 13.75 | 501017-0608  | 60         |
|                                |      | 11.75 | 501017-0508  | 50         |
| キャリアテープ幅<br>CARRIER TAPE WIDTH | B    | (A)   | MATERIAL NO. | 極数<br>CKT. |

MODEL NO. 501017-\*\*\*8

|  |                                       |                    |   |                                       |               |                        |  |
|--|---------------------------------------|--------------------|---|---------------------------------------|---------------|------------------------|--|
| REVISED<br>EC NO: J2008-2284<br>DRWN:YMAEDA 2007/12/04<br>CH'KD:NUKITA 2007/12/06<br>APPR:NUKITA 2007/12/06<br>REV D | GENERAL TOLERANCES (UNLESS SPECIFIED) |                    | DIMENSION STYLE   | SCALE                                 | DESIGN UNITS  | THIRD ANGLE PROJECTION |  |
|  |                                       |                    | MM ONLY   | ---                                   | METRIC        |                        |  |
|  | 10 UNDER ±0.2                         |                    | DATE  | TITLE                                 |               |                        |  |
|  | 10 OVER 30 UNDER ±0.25                |                    | YNUKANOBU 2004/06/05  | EMBOSSED TAPE PACKAGE FOR 501017-***7 |               |                        |  |
|  | 30 OVER ±0.3                          |                    | CHECKED BY DATE   | MOLEX INCORPORATED                    |               |                        |  |
| ANGULAR ±3 °   |                                       | THIRATA 2004/06/05 | MATERIAL NO.  |                                       | DOCUMENT NO.  | SHEET NO.              |  |
| DRAFT WHERE APPLICABLE MUST REMAIN WITHIN DIMENSIONS   |                                       | APPROVED BY DATE   | SEE TABLE   |                                       | SD-501017-002 | 3 OF 4                 |  |
|  |                                       | MSASAO 2004/06/05  | THIS DRAWING CONTAINS INFORMATION THAT IS PROPRIETARY TO MOLEX INCORPORATED AND SHOULD NOT BE USED WITHOUT WRITTEN PERMISSION |                                       |               |                        |  |



|                                |      |      |              |            |
|--------------------------------|------|------|--------------|------------|
| 24                             | 25.5 | 6.55 | 501017-0248  | 24         |
| キャリアテープ幅<br>CARRIER TAPE WIDTH | B    | A    | MATERIAL NO. | 極数<br>CKT. |
| MODEL NO.                      |      |      | 501017-***8  |            |

|   |                                       |   |                 |               |                                       |                        |  |
|---|---------------------------------------|---|-----------------|---------------|---------------------------------------|------------------------|--|
| REVISED<br>EC NO: J2008-2284<br>DRWN: YMAEDA 2007/12/04<br>CH'KD: NUKITA 2007/12/06<br>APPR: NUKITA 2007/12/06<br>REV D | GENERAL TOLERANCES (UNLESS SPECIFIED) |   | DIMENSION STYLE | SCALE         | DESIGN UNITS                          | THIRD ANGLE PROJECTION |  |
|   |                                       |   | MM ONLY         | ---           | METRIC                                |                        |  |
|   | 10 UNDER ±0.2                         |   | DRAWN BY        | DATE          | TITLE                                 |                        |  |
|   | 10 OVER 30 UNDER ±0.25                |   | YNUKANOBU       | 2004/06/05    | EMBOSSED TAPE PACKAGE FOR 501017-***7 |                        |  |
|   | 30 OVER ±0.3                          |   | CHECKED BY      | DATE          | MATERIAL NO.                          |                        |  |
| ANGULAR ±3 °  |                                       | THIRATA   | 2004/06/05      | DOCUMENT NO.  |                                       |                        |  |
| DRAFT WHERE APPLICABLE MUST REMAIN WITHIN DIMENSIONS  |                                       | APPROVED BY   | DATE            | SHEET NO.     |                                       |                        |  |
|   |                                       | MSASAO  | 2004/06/05      | 4 OF 4        |                                       |                        |  |
|   |                                       | SEE TABLE   |                 | SD-501017-002 |                                       |                        |  |
|   |                                       | THIS DRAWING CONTAINS INFORMATION THAT IS PROPRIETARY TO MOLEX INCORPORATED AND SHOULD NOT BE USED WITHOUT WRITTEN PERMISSION |                 |               |                                       |                        |  |