

**PLEASE CHECK WWW.MOLEX.COM FOR LATEST PART INFORMATION**

**Part Number:** [5013340100](#)  
**Status:** **Active**  
**Overview:** [picoclasp](#)  
**Description:** 1.00mm (.039") Pitch Pico-Clasp™ Wire-to-Board Crimp Terminal, 28-32 AWG, Lead-free, Tin Plating, Loose

**Documents:**

<a href="#">Drawing (PDF)</a>	<a href="#">Product Specification PS-501940-001 (PDF)</a>
<a href="#">Product Specification PS-501331-001 (PDF)</a>	<a href="#">RoHS Certificate of Compliance (PDF)</a>

**General**

Product Family	Crimp Terminals
Series	<a href="#">501334</a>
Crimp Quality Equipment	Yes
Overview	<a href="#">picoclasp</a>
Product Name	Pico-Clasp™

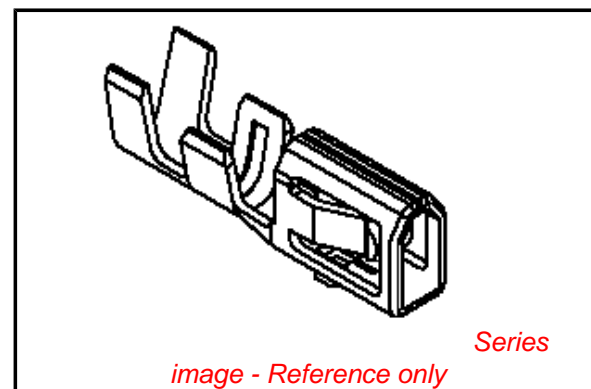
**Physical**

Gender	Receptacle
Material - Metal	Phosphor Bronze
Material - Plating Mating	Tin
Material - Plating Termination	Tin
Packaging Type	Bag
Plating min: Mating (µin)	40.00
Plating min: Mating (µm)	1.000
Plating min: Termination (µin)	40.00
Plating min: Termination (µm)	1.00
Termination Interface: Style	Crimp or Compression
Wire Insulation Diameter	0.80mm (.031") max.
Wire Size AWG	28, 30, 32
Wire Size mm²	N/A

**Material Info**

**Reference - Drawing Numbers**

Packaging Specification	SPK-501334-001
Product Specification	PS-501331-001, PS-501940-001, RPS-501331-001, RPS-501331-002, RPS-501331-003, RPS-501331-005, RPS-501331-006, RPS-501331-007, RPS-501568-002, RPS-501940-001, RPS-501940-002, RPS-501940-003, RPS-501940-004
Sales Drawing	SD-501334-001



**EU RoHS**

**ELV and RoHS Compliant**  
**REACH SVHC**  
**Contains SVHC: No**  
**Halogen-Free Status**

**China RoHS**



**Need more information on product environmental compliance?**

Email [productcompliance@molex.com](mailto:productcompliance@molex.com)  
 For a multiple part number RoHS Certificate of Compliance, [click here](#)

Please visit the [Contact Us](#) section for any non-product compliance questions.

**Search Parts in this Series**

[501334Series](#)

**Mates With**

[501331 PCB Header](#)

**Use With**

[501330 Crimp Housing](#)

**Application Tooling | FAQ**

*Tooling specifications and manuals are found by selecting the products below. Crimp Height Specifications are then contained in the Application Tooling Specification document.*

**Global**

<b>Description</b>	<b>Product #</b>
--------------------	------------------

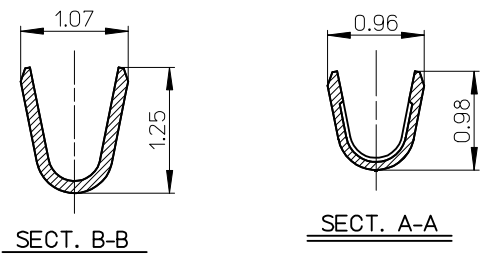
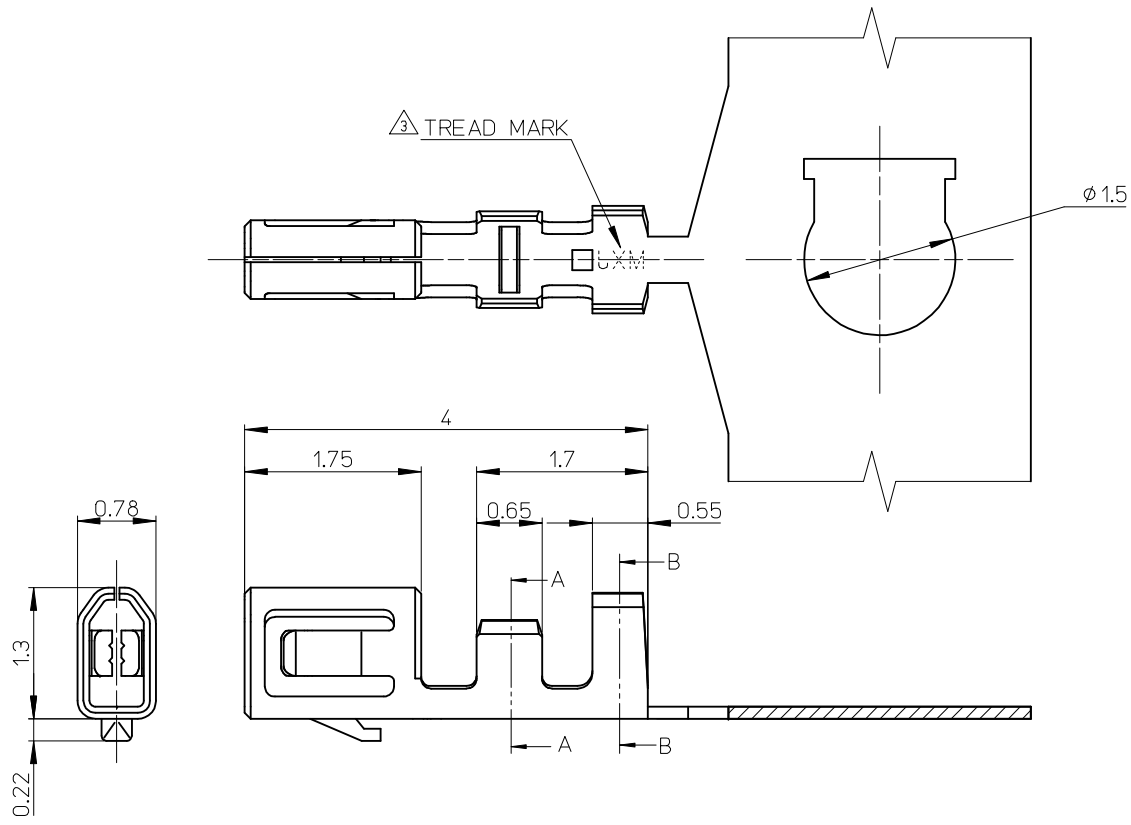
Hand Crimp Tool for 1.00mm (.039") Pico-Clasp™ Wire-to-Board Crimp Terminal, 28-32 AWG	<a href="#">0638191500</a>
--	----------------------------

**Japan**

<b>Description</b>	<b>Product #</b>
Crimp Hand Tool - Straight Action	<u>5780165300</u>
Hand Extraction Tool	5780166000

This document was generated on 05/24/2010

**PLEASE CHECK [WWW.MOLEX.COM](http://WWW.MOLEX.COM) FOR LATEST PART INFORMATION**



SECT. B-B

SECT. A-A

NOTES.

- 適合ハウジング: 501330-\*\*\*\* / 501939-\*\*\*\*  
 APPLICABLE HOUSING: 501330-\*\*\*\* / 501939-\*\*\*\*
- メッキ仕様  
 PLATING  
 錫メッキ: 1.0μmMIN. リフロー処理(前メッキ)  
 Sn: 1.0μmMIN. REFLOW TREATMENT (PRE-PLATED)
- 刻印は裏面から実施  
 PUNCH SIDE: OTHER SIDE  
 MXJ  金型番号(番号無しの製品もあります.)  
 Die No. (There is Non-Mark Item)  
 TREAD MARK

501334-0100	バラ状 LOOSE
501334-0000	連鎖状 CHAIN
MATERIAL NO.	端子形状 FORM

MATERIAL リン青銅 PHOSPHOR BRONZE t=0.12	REVISED EC NO.: J2009-0651 DRW: NAKATA 2008/09/16 CHK: D. MATSUMOTO 2008/09/16 APP: NUKITA 2008/09/16	GENERAL TOLERANCES (UNLESS SPECIFIED)	DIMENSION STYLE MM ONLY	SCALE 20:1	DESIGN UNITS METRIC	THIRD ANGLE PROJECTION
FINISH SEE NOTE		10 UNDER ±0.2	DRAWN BY NYOSHIDA	DATE 2004/07/29	TITLE 1.0 WIRE TO BOARD CONN. CRIMP REC TERMINAL (SN) -LEAD FREE-	
WIRE RANGE AWG #28-32		10 OVER 30 UNDER ±0.25	CHECKED BY MYAGI	DATE 2004/07/29	MOLEX INCORPORATED	
INS. RANGE φ0.4-0.8		30 OVER ±0.3	APPROVED BY MIYAZAWA	DATE 2004/07/29	DOCUMENT NO. SD-501334-001	SHEET NO. 1 OF 1
		ANGULAR ±3°	MATERIAL NO. SEE TABLE	THIS DRAWING CONTAINS INFORMATION THAT IS PROPRIETARY TO MOLEX INCORPORATED AND SHOULD NOT BE USED WITHOUT WRITTEN PERMISSION		
		DRAFT WHERE APPLICABLE MUST REMAIN WITHIN DIMENSIONS	SIZE A3			