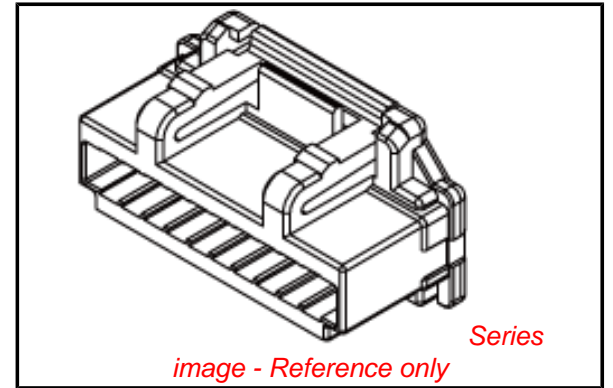


**PLEASE CHECK WWW.MOLEX.COM FOR LATEST PART INFORMATION**

**Part Number:** [5031102000](#)  
**Status:** **Active**  
**Overview:** [duoclap](#)  
**Description:** 1.25mm (.049") Pitch Duo-Clasp™ Wire-to-Board Housing, Dual Row, Positive Lock, 20 Circuits

**Documents:**

<a href="#">Application Specification (PDF)</a>	<a href="#">Drawing (PDF)</a>
<a href="#">3D Model</a>	<a href="#">Product Specification PS-501931-002 (PDF)</a>
<a href="#">Packaging Specification (PDF)</a>	<a href="#">RoHS Certificate of Compliance (PDF)</a>



**General**

Product Family	Crimp Housings
Series	<a href="#">503110</a>
Overview	<a href="#">duoclap</a>
Product Name	Duo-Clasp™

**Physical**

Breakaway	No
Circuits (maximum)	20
Color - Resin	White
Gender	Plug
Glow-Wire Compliant	No
Keying to Mating Part	Yes
Lock to Mating Part	Yes
Number of Rows	2
Packaging Type	Bag
Panel Mount	No
Pitch - Mating Interface (in)	0.049 In
Pitch - Mating Interface (mm)	1.25 mm
Pitch - Term. Interface (in)	0.049 In
Pitch - Term. Interface (mm)	1.25 mm
Polarized to Mating Part	Yes
Ports	1
Stackable	No
Temperature Range - Operating	-25°C to +85°C

**Electrical**

Current - Maximum per Contact	1A
-------------------------------	----

**Material Info**

**Reference - Drawing Numbers**

Application Specification	AS-503110-001, AS-503110-002
Packaging Specification	PK-503110-001, SPK-503110-001
Product Specification	PS-501931-002, RPS-501931-002
Sales Drawing	SD-503110-001

**EU RoHS**

**ELV and RoHS  
Compliant**  
**REACH SVHC  
Contains SVHC: No**  
**Halogen-Free  
Status**

**China RoHS**



**Need more information on product  
environmental compliance?**

Email [productcompliance@molex.com](mailto:productcompliance@molex.com)  
 For a multiple part number RoHS Certificate of Compliance, [click here](#)

Please visit the [Contact Us](#) section for any non-product compliance questions.

**Search Parts in this Series**

[503110Series](#)

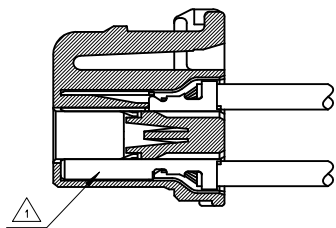
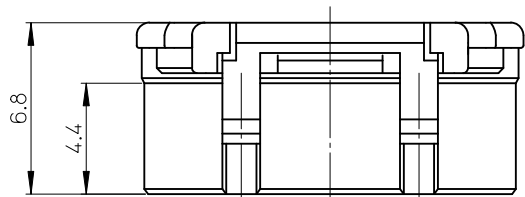
**Mates With**

[501931](#) PCB Receptacle . [502046](#) PCB Receptacle

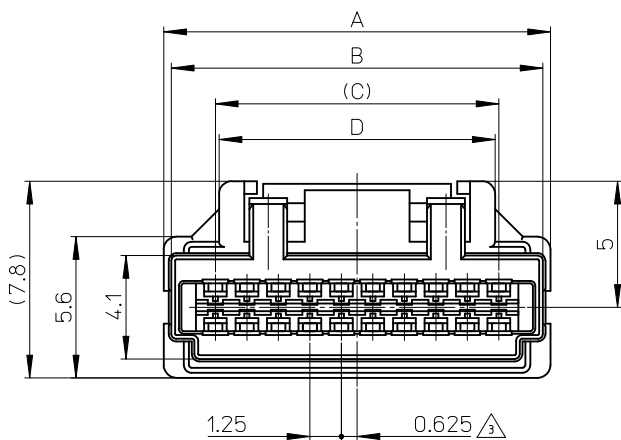
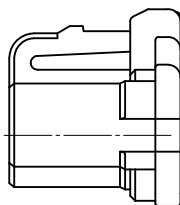
**Use With**

[501930](#) Crimp Terminal

10 9 8 7 6 5 4 3 2 1

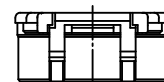
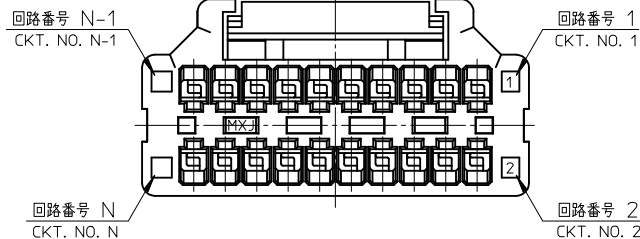


ターミナル装着図  
TERMINAL ASSEMBLY DRAWING



NOTES

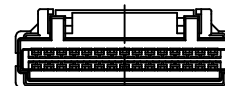
- △ 適合ターミナル: 501930-\*\*\*\*  
APPLICABLE TERMINAL: 501930-\*\*\*\*
- 2. 嵌合相手: 501931-\*\*\*\*, 502046-\*\*\*\*  
MATE WITH: 501931-\*\*\*\*, 502046-\*\*\*\*
- △ 極数/2=偶数に適用。  
APPLY FOR CKT. SIZE / 2 = EVEN.
- 4. アプリケーション仕様書(コネクタ取扱説明書)  
AS-503110-001, AS-503110-002  
APPLICATION SPECIFICATIONS (CONNECTOR MANUAL)  
AS-503110-001, AS-503110-002
- 5. 製品仕様書: PS-501931-002  
Product specification: PS-501931-002
- 6. ELV 及び RoHS 適合品  
ELV AND RoHS COMPLIANT



20ckt.



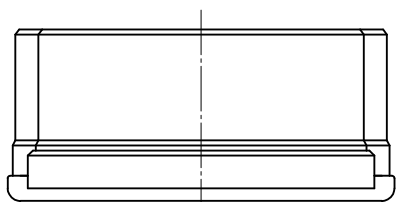
30ckt.



40ckt.

極数の種類 (正面図)

KIND OF CKT. NO. (FRONT VIEW)



23.45	23.75	27.25	27.85	503110-4000	40
17.2	17.5	21	21.6	503110-3000	30
10.95	11.25	14.75	15.35	503110-2000	20
D	C	B	A	PLASTIC BAG	極数
オーダー番号 ORDER No.					CIRCUITS

CONNECTOR SERIES No. 503110-\*\*-\*\*00

REVISED EC NO: J2010-1278 DRWN: YOSHIKAWA 2009/12/16 CHKD: K. ASAKAWA 2009/12/16 APPR: NUKITA 2009/12/16	DESCRIPTION	GENERAL TOLERANCES (UNLESS SPECIFIED)		DIMENSION STYLE MM ONLY		SCALE 5:1	DESIGN UNITS METRIC	THIRD ANGLE PROJECTION	
		10 UNDER	±0.2	DRAWN BY N. NISHI	DATE 2007/11/16	TITLE 1.25 W/B CONN.DUAL PLUG HOUSING			
		10 OVER 30 UNDER	±0.25	CHECKED BY K. ASAKAWA	DATE 2007/11/16	MOLEX INCORPORATED			
		30 OVER	±0.3	APPROVED BY Y. ITO	DATE 2007/11/16	DOCUMENT NO. SD-503110-001			
REV		ANGULAR ±3 °	DRAFT WHERE APPLICABLE MUST REMAIN WITHIN DIMENSIONS	SIZE A3		SHEET NO. 1 OF 1			

部品 PART	材質 MATERIAL
ハウジング HOUSING	ポリエステル(PBT) UL94V-0 色: 白 POLYESTER(PBT) UL94V-0 COLOR: WHITE