

PLEASE CHECK WWW.MOLEX.COM FOR LATEST PART INFORMATION

Part Number: [0506389128](#)
Status: **Active**
Description: 2.00mm (.079") Pitch Crimp Terminal, Male, Bag, Lead Free

Documents:

[3D Model](#) [Product Specification PS-58719-006 \(PDF\)](#)
[Drawing \(PDF\)](#) [RoHS Certificate of Compliance \(PDF\)](#)

General

Product Family Crimp Terminals
 Series [50638](#)
 Crimp Quality Equipment Yes
 Product Name N/A

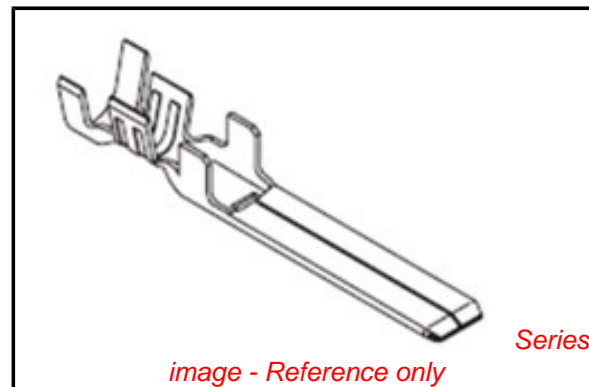
Physical

Gender Male
 Material - Metal Brass
 Material - Plating Mating Gold
 Material - Plating Termination Tin
 Packaging Type Bag
 Plating min: Mating (µin) 4
 Plating min: Mating (µm) 0.10
 Plating min: Termination (µin) 40
 Plating min: Termination (µm) 1
 Termination Interface: Style Crimp or Compression
 Wire Insulation Diameter 3.20-3.80mm (.126-.150")
 Wire Size AWG 14, 16
 Wire Size mm² N/A

Material Info

Reference - Drawing Numbers

Product Specification PS-58719-006, RPS-51200-001, RPS-58719-008
 Sales Drawing SD-50638-001



EU RoHS

**ELV and RoHS
 Compliant**
REACH SVHC
 Not Reviewed
**Halogen-Free
 Status**
Not Reviewed

China RoHS



**Need more information on product
 environmental compliance?**

Email productcompliance@molex.com
 For a multiple part number RoHS Certificate of
 Compliance, [click here](#)

Please visit the [Contact Us](#) section for any
 non-product compliance questions.

Search Parts in this Series

[50638Series](#)

Mates With

[50637 Female Crimp Terminal](#)

Application Tooling | FAQ

*Tooling specifications and manuals are
 found by selecting the products below.
 Crimp Height Specifications are then
 contained in the Application Tooling
 Specification document.*

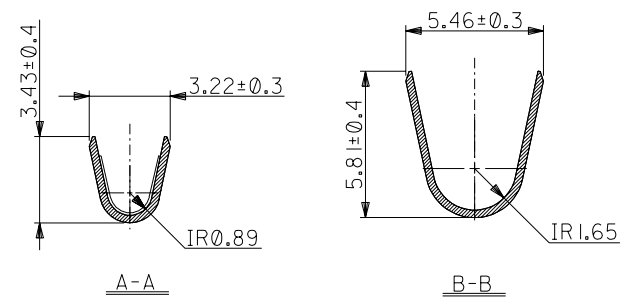
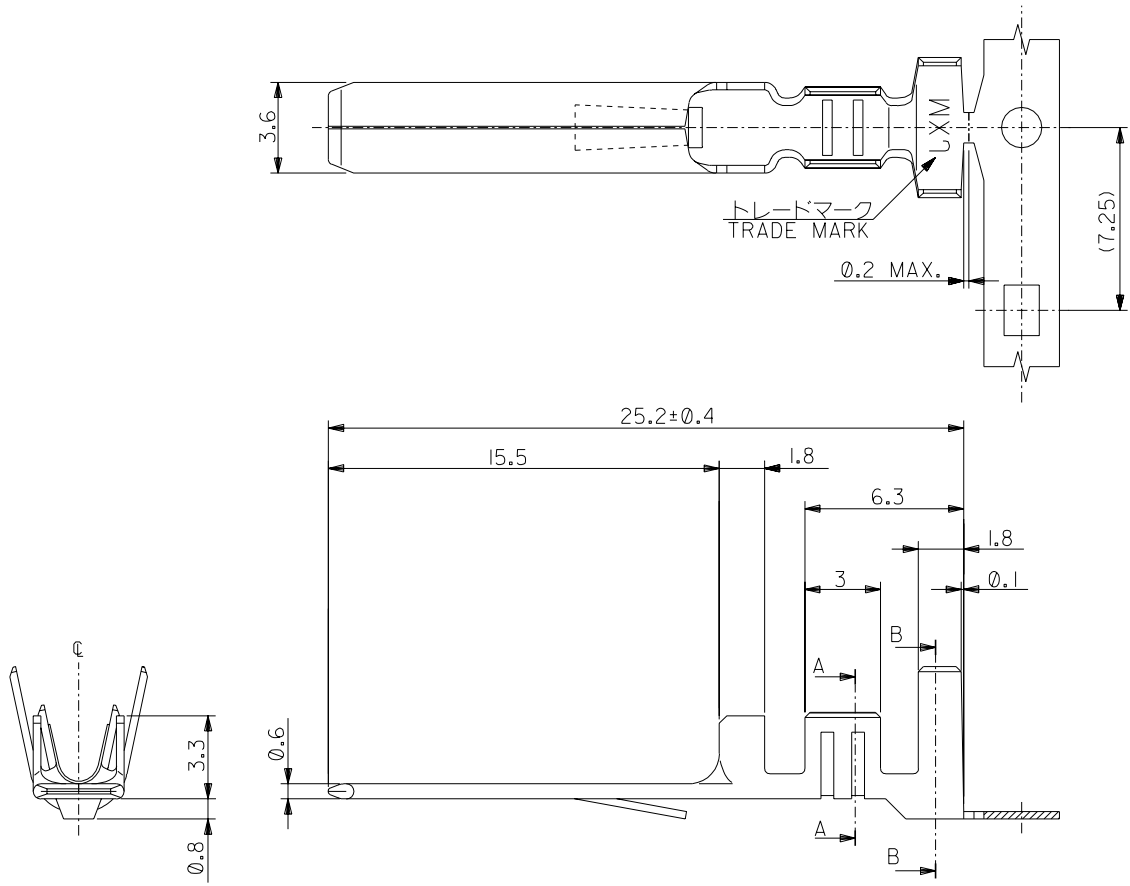
Global

Description	Product #
Hand Crimp Tool for 2.00mm (.079") Pitch Male Crimp Terminals	0638235600

Japan

Description	Product #
Hand Crimp Tool	0573555000

PLEASE CHECK WWW.MOLEX.COM FOR LATEST PART INFORMATION



- 注) NOTES:
1. 材質 MATERIAL
黄銅 (板厚: 0.3)
BRASS (THICKNESS : 0.3)
 2. メッキ仕様 TERMINAL PLATING
接点部 : 金メッキ 0.1μm MIN.
CONTACT AREA : GOLD 0.1 MICROMETER MINIMUM.
 : パラジウムニッケルメッキ 0.6μm MIN.
 : PD-NI 0.6 MICROMETER MINIMUM.
圧着部 : 錫メッキ 1.0 μm MIN.
CRIMP AREA : TIN 1.0 MICROMETER MINIMUM.
下地メッキ : ニッケルメッキ 1.5 μm MIN.
UNDER PLATE : NICKEL 1.5 MICROMETER MINIMUM.
 3. 適用電線範囲: UL 1015 , UL 1865 , AWG #16~14
APPLICABLE WIRE RANGE : UL 1015 , UL 1865 , AWG #16~14
 4. 被覆外径 : φ3.8 MAX.
INSULATION EXTERNAL DIA : φ3.8 MAX.
 5. 50638-9028 は 50638-9049 の鉛フリー品である。
50638-9128 は 50638-9149 の鉛フリー品である。
50638-9028 IS LEAD FREE OF 50638-9049.
50638-9128 IS LEAD FREE OF 50638-9149.

バラ状 LOOSE	50638-9128
連鎖状 CHAIN	50638-9028
端子形状 TERMINAL CONFIGURATION	MATERIAL NO.

DO NOT SCALE DRAWING

64 NO. DRWN: CH'K: APPR:	63 NO. DRWN: CH'K: APPR:	62 NO. DRWN: CH'K: APPR:	61 NO. DRWN: CH'K: APPR:	新規作成 RELEASED 60 NO. J2004-4129 DRWN: M.NAGATA '04/05/10 CH'K: K.TOJO '04/05/10 APPR: M.SASAO '04/05/10
-----------------------------	-----------------------------	-----------------------------	-----------------------------	---

MATERIAL 材料	#
FINISH 仕上げ	#
WIRE RANGE 適用電線範囲	#
INS. RANGE 被覆外径	#

GENERAL TOLERANCES: (UNLESS SPECIFIED) 一般公差	10 UNDER 未満 ±0.2	10 OVER 30 UNDER 未満 ±0.25	30 OVER 以上 ±0.3
ANGLE 角度	±3°		

MODEL NO. 50638-****	DIMENSIONS: <input type="checkbox"/> mm <input type="checkbox"/> INCH <input checked="" type="checkbox"/> mm ONLY		SHT	REV
SCALE 5:1	DESIGN UNITS <input checked="" type="checkbox"/> mm <input type="checkbox"/> INCH	TITLE: 2mm PITCH AC/DC CONN. PLUG CRIMP TERM. (M II DRAWER CONNECTOR) -LEAD FREE-		
DRAWN BY & DATE M.NAGATA '04/05/10		APPROVED BY & DATE M.SASAO '04/05/10		
CHECKED BY & DATE K.TOJO '04/05/10		MATERIAL NO. SEE CHART		
DRAWN BY & DATE M.SASAO '04/05/10		DRAWING NO. SD-50638-001		
CAD FILENAME SD-50638-001.S01		SHEET NO. 1 OF 1		

THIS DRAWING CONTAINS INFORMATION THAT IS PROPRIETARY TO MOLEX INCORPORATED AND SHOULD NOT BE USED WITHOUT WRITTEN PERMISSION. SIZE B