

PLEASE CHECK WWW.MOLEX.COM FOR LATEST PART INFORMATION

Part Number: [0039310207](#)
Status: **Active**
Overview: [minifit_jr](#)
Description: 4.20mm (.165") Pitch Mini-Fit Jr.™ Header, Dual Row, Vertical, without Snap-in Plastic Peg PCB Lock, 20 Circuits, PA Polyamide Nylon 6/6 94V-2, 0.76µm (30µ") Gold (Au) Selective Plating, with Drain Holes

Documents:

[3D Model](#) [RoHS Certificate of Compliance \(PDF\)](#)
[Drawing \(PDF\)](#)

Agency Certification

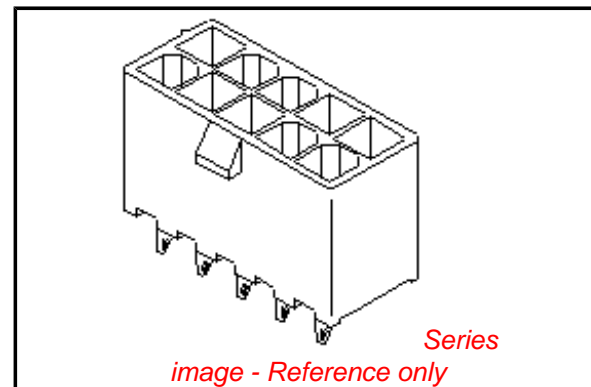
| | |
|-----|-----------|
| CSA | LR19980 |
| TUV | R72081037 |
| UL | E29179 |

General

| | |
|----------------|--|
| Product Family | PCB Headers |
| Series | 5566 |
| Application | Wire-to-Board |
| Comments | Current = 13A max. per circuit when header is mated to a receptacle loaded with 45750 Mini-Fit Plus HCS™ Crimp Terminal Crimped to to 16 AWG wire. . See Molex product specification PS-45750-001 for additional current de-rating information.. High Temperature, Square Pin, Solder Type |
| Overview | minifit_jr |
| Product Name | Mini-Fit Jr.™ |

Physical

| | |
|--------------------------------|----------|
| Breakaway | No |
| Circuits (Loaded) | 20 |
| Circuits (maximum) | 20 |
| Color - Resin | Natural |
| Durability (mating cycles max) | 30 |
| First Mate / Last Break | No |
| Flammability | 94V-2 |
| Glow-Wire Compliant | No |
| Guide to Mating Part | No |
| Keying to Mating Part | None |
| Lock to Mating Part | Yes |
| Material - Metal | Brass |
| Material - Plating Mating | Tin |
| Material - Plating Termination | Tin |
| Material - Resin | Nylon |
| Number of Rows | 2 |
| Orientation | Vertical |
| PC Tail Length (in) | 0.138 In |
| PC Tail Length (mm) | 3.50 mm |
| PCB Locator | Yes |
| PCB Retention | None |
| PCB Thickness Recommended (in) | 0.062 In |
| PCB Thickness Recommended (mm) | 1.60 mm |
| Packaging Type | Bag |
| Pitch - Mating Interface (in) | 0.165 In |
| Pitch - Mating Interface (mm) | 4.20 mm |



EU RoHS

ELV and RoHS Compliant
REACH SVHC Not Reviewed
Halogen-Free Status Not Reviewed

China RoHS



Need more information on product environmental compliance?

Email productcompliance@molex.com
 For a multiple part number RoHS Certificate of Compliance, [click here](#)

Please visit the [Contact Us](#) section for any non-product compliance questions.

Search Parts in this Series

[5566Series](#)

Mates With

[5557](#) Mini-Fit Jr.™ Receptacle Housing

| | |
|--------------------------------|-----------------|
| Pitch - Term. Interface (in) | 0.165 In |
| Pitch - Term. Interface (mm) | 4.20 mm |
| Polarized to Mating Part | Yes |
| Polarized to PCB | Yes |
| Shrouded | Fully |
| Stackable | No |
| Surface Mount Compatible (SMC) | No |
| Temperature Range - Operating | -40°C to +105°C |
| Termination Interface: Style | Through Hole |

Electrical

| | |
|-------------------------------|------|
| Current - Maximum per Contact | 13A |
| Voltage - Maximum | 600V |

Material Info

| | |
|-----------------|------------|
| Old Part Number | 5566-20BGS |
|-----------------|------------|

Reference - Drawing Numbers

| | |
|---------------|-------------|
| Sales Drawing | SD-5566-002 |
|---------------|-------------|

This document was generated on 05/21/2010

PLEASE CHECK WWW.MOLEX.COM FOR LATEST PART INFORMATION

| CIRCUIT SIZE | DIM. "A" | DIM. "B" |
|--------------|----------------|----------------|
| 2 | .21 (5.4) | — |
| 4 | .38 (9.6) | .17 (4.2) |
| 6 | .54 (13.8) | .33 (8.4) |
| 8 | .71 (18.0) | .50 (12.6) |
| 10 | .87 (22.2) | .66 (16.8) |
| 12 | 1.04 (26.4) | .83 (21.0) |
| 14 | 1.20 (30.6) | .99 (25.2) |
| 16 | 1.37 (34.8) | 1.16 (29.4) |
| 18 | 1.54 (39.0) | 1.32 (33.6) |
| 20 | 1.70 (43.2) | 1.49 (37.8) |
| 22 | 1.87 (47.4) | 1.65 (42.0) |
| 24 | 2.03 (51.6) | 1.82 (46.2) |

LEGEND

BASE NUMBER 5566 - N * * * * - * * *

CIRCUIT SIZE _____

ASS'Y TYPE _____

A : WITHOUT DRAIN HOLES
B : WITH DRAIN HOLES

TERMINAL MATERIAL _____
SEE NOTE 1

TERMINAL PLATING _____
SEE NOTE 2

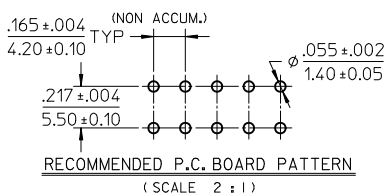
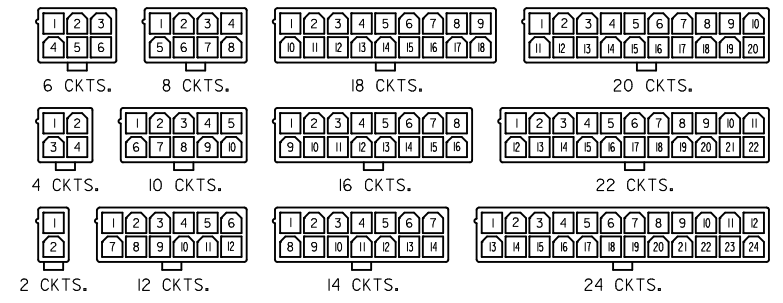
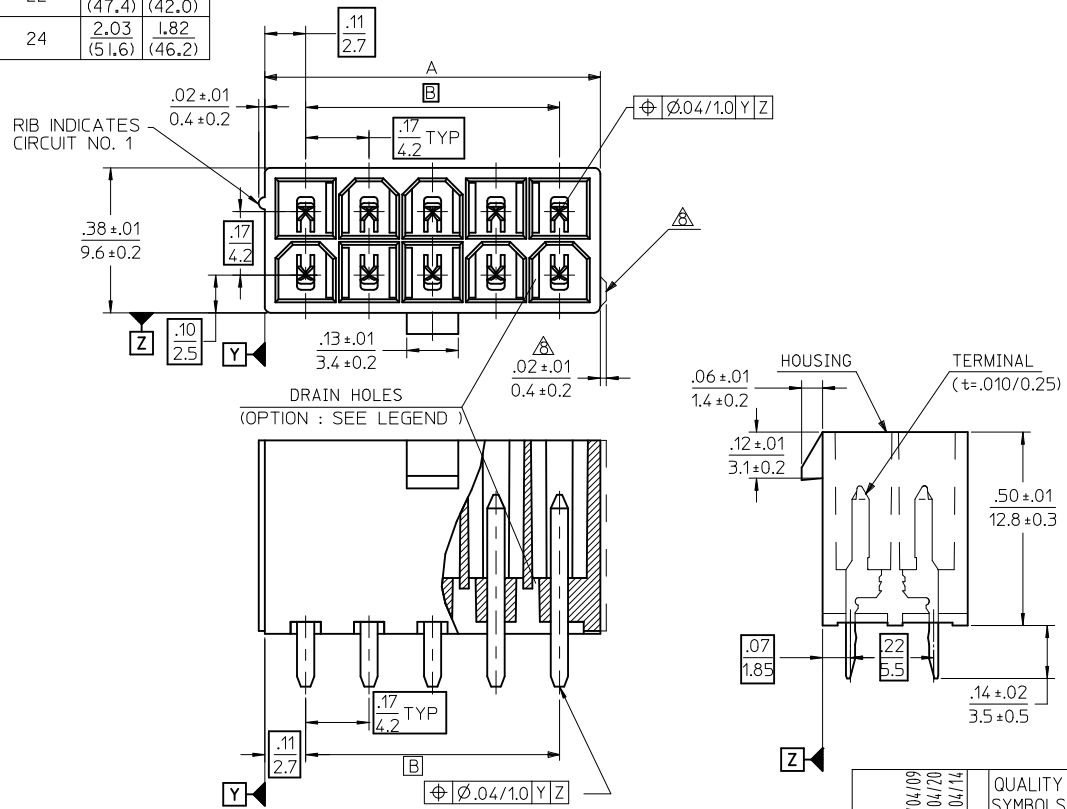
HOUSING MATERIAL _____
SEE NOTE 1

COLOR OR PACKAGING _____

BL : BLACK RE : RED GR : GRAY
BU : BLUE YE : YELLOW GRE : GREEN
TA : TRAY PACKAGING SEE NOTE 4

NOTES:

- MATERIALS:**
HOUSING:
"BLANK"=NYLON 6/6, UL94V-2, COLOR: NATURAL
"210"=NYLON 6/6, UL94V-0, COLOR: NATURAL
"400"=NYLON 6/6, UL94V-0, COLOR: BLACK
TERMINALS:
"BLANK" = BRASS
"PB" = PHOSPHOR BRONZE
- TERMINAL PLATING:**
"BLANK" = BRIGHT TIN 000035/(0.00090) MIN.
OVER COPPER .000020/(0.00050) MIN. (BRASS)
TIN .000035/(0.00090) MIN. REFLOW TREATMENT
OR BRIGHT TIN .000035/(0.00090) MIN. (PHOSPHOR BRONZE)
"S"=.000100/(0.00254) MIN. BRIGHT TIN OVER
.000050/(0.00127) MIN NICKEL
"GS2"=.000015/(0.00038) MIN. SELECT GOLD AND
.000100/(0.00254) MIN. SELECT MATTE TIN
OVER .000050/(0.00127) MIN. NICKEL OVERALL
"GS"=.000030/(0.00076) MIN. SELECT GOLD AND
.000100/(0.00254) MIN. SELECT MATTE TIN
OVER .000050/(0.00127) MIN. NICKEL OVERALL
- PRODUCT SPECIFICATION:** PS-5556-001
- PACKAGING:** "BLANK"= BULK PACKED, "TA"=TRAY PACK PER PK-5566-001
- PART MATES WITH MINI-FIT JR. RECEPTACLE NO. 5557.
- PART IS NOT DESIGNED FOR CURRENT SHARING.
- PARTS ARE NOT DESIGNED TO BE MATED OR UN-MATED WHILE CIRCUITS ARE LIVE.
- ANTI-SHINGLING RIB MAY OR MAY NOT APPEAR ON HOUSINGS.
- PART CONFORMS TO CLASS "B" REQUIREMENTS OF COSMETIC SPECIFICATION PS-45499-002.



| CORRECTED PN EC NO: UCP2010-2614 DRWNG: JAGUILAR 2010/04/09 CHKD: J.BELL '94/04/20 APPR: FSMITH 2010/04/14 REV: L3 | QUALITY SYMBOLS ∇=0 ∇=0 ∇=0 | GENERAL TOLERANCES (UNLESS SPECIFIED) <table border="1"> <tr><th></th><th>mm</th><th>INCH</th></tr> <tr><td>4 PLACES ±</td><td>---</td><td>---</td></tr> <tr><td>3 PLACES ±</td><td>---</td><td>±.005</td></tr> <tr><td>2 PLACES ±</td><td>.13</td><td>±.010</td></tr> <tr><td>1 PLACE ±</td><td>.25</td><td>±---</td></tr> </table> | | | mm | INCH | 4 PLACES ± | --- | --- | 3 PLACES ± | --- | ±.005 | 2 PLACES ± | .13 | ±.010 | 1 PLACE ± | .25 | ±--- | DIMENSION STYLE IN/MM | SCALE 4:1 | DESIGN UNITS METRIC | THIRD ANGLE PROJECTION |
|--|---|--|----|---|----|---------------------|------------|-----|-----|------------|-----|-------|------------|-----|-------|-----------|-----|------|---------------------------------|---------------------|-------------------------------|-------------------------------|
| | | | mm | INCH | | | | | | | | | | | | | | | | | | |
| 4 PLACES ± | --- | --- | | | | | | | | | | | | | | | | | | | | |
| 3 PLACES ± | --- | ±.005 | | | | | | | | | | | | | | | | | | | | |
| 2 PLACES ± | .13 | ±.010 | | | | | | | | | | | | | | | | | | | | |
| 1 PLACE ± | .25 | ±--- | | | | | | | | | | | | | | | | | | | | |
| DRAFT WHERE APPLICABLE MUST REMAIN WITHIN DIMENSIONS | | SEE TABLE | | NEW MINI FIT CONNECTOR HEADER HOUSING ASS'Y -LEAD FREE- MOLEX INCORPORATED | | SHEET NO. 1 OF 6 | | | | | | | | | | | | | | | | |

| | 10 | 9 | 8 | 7 | 6 | 5 | 4 | 3 | 2 | 1 | |
|-----------------|------------------|------------------|-----------------|-----------------|-----------------|------------------|----------------|-----------------|------------------|------------------|----|
| F | 39-30-9247 | 5566-24BGS2-2 I0 | 39-31-0248 | 5566-24BGS-2 I0 | 39-31-0242 | 5566-24BS-2 I0 | 39-31-0240 | 5566-24B-2 I0 | 39-30-6244 | 5566-24APBS-2 I0 | 24 |
| | ▲ -9227 | ▲ -22BGS2-2 I0 | ▲ -0228 | ▲ -22BGS-2 I0 | ▲ -0222 | ▲ -22BS-2 I0 | ▲ -0220 | ▲ -22B-2 I0 | ▲ -6224 | ▲ -22APBS-2 I0 | 22 |
| | -9207 | -20BGS2-2 I0 | -0208 | -20BGS-2 I0 | -0202 | -20BS-2 I0 | -0200 | -20B-2 I0 | -6204 | -20APBS-2 I0 | 20 |
| | -9187 | -18BGS2-2 I0 | -0188 | -18BGS-2 I0 | -0182 | -18BS-2 I0 | -0180 | -18B-2 I0 | -6184 | -18APBS-2 I0 | 18 |
| | -9167 | -16BGS2-2 I0 | -0168 | -16BGS-2 I0 | -0162 | -16BS-2 I0 | -0160 | -16B-2 I0 | -6164 | -16APBS-2 I0 | 16 |
| | -9147 | -14BGS2-2 I0 | -0148 | -14BGS-2 I0 | -0142 | -14BS-2 I0 | -0140 | -14B-2 I0 | -6144 | -14APBS-2 I0 | 14 |
| | -9127 | -12BGS2-2 I0 | -0128 | -12BGS-2 I0 | -0122 | -12BS-2 I0 | -0120 | -12B-2 I0 | -6124 | -12APBS-2 I0 | 12 |
| | -9107 | -10BGS2-2 I0 | -0108 | -10BGS-2 I0 | -0102 | -10BS-2 I0 | -0100 | -10B-2 I0 | -6104 | -10APBS-2 I0 | 10 |
| | -9087 | -08BGS2-2 I0 | -0088 | -08BGS-2 I0 | -0082 | -08BS-2 I0 | -0080 | -08B-2 I0 | -6084 | -08APBS-2 I0 | 8 |
| | -9067 | -06BGS2-2 I0 | -0068 | -06BGS-2 I0 | -0062 | -06BS-2 I0 | -0060 | -06B-2 I0 | -6064 | -06APBS-2 I0 | 6 |
| ▼ -9047 | ▼ -04BGS2-2 I0 | ▼ -0048 | ▼ -04BGS-2 I0 | ▼ -0042 | ▼ -04BS-2 I0 | ▼ -0040 | ▼ -04B-2 I0 | ▼ -6044 | ▼ -04APBS-2 I0 | 4 | |
| 39-30-9027 | 5566-02BGS2-2 I0 | 39-31-0028 | 5566-02BGS-2 I0 | 39-31-0022 | 5566-02BS-2 I0 | 39-31-0020 | 5566-02B-2 I0 | 39-30-6024 | 5566-02APBS-2 I0 | 2 | |
| EDP NO. | ENG. NO. | EDP NO. | ENG. NO. | EDP NO. | ENG. NO. | EDP NO. | ENG. NO. | EDP NO. | ENG. NO. | CKT. SIZE | |
| 5566-NBGS2-2 I0 | | 5566-NBGS-2 I0 | | 5566-NBS-2 I0 | | 5566-NB-2 I0 | | 5566-NAPBS-2 I0 | | | |
| 39-30-9246 | 5566-24BGS2 | 39-31-0247 | 5566-24BGS | 39-31-0241 | 5566-24BS | 39-29-3246 | 5566-24B | 39-30-6243 | 5566-24APBS | 24 | |
| ▲ -9226 | ▲ -22BGS2 | ▲ -0227 | ▲ -22BGS | ▲ -0221 | ▲ -22BS | ▲ -3226 | ▲ -22B | ▲ -6223 | ▲ -22APBS | 22 | |
| -9206 | -20BGS2 | -0207 | -20BGS | -0201 | -20BS | -3206 | -20B | -6203 | -20APBS | 20 | |
| -9186 | -18BGS2 | -0187 | -18BGS | -0181 | -18BS | -3186 | -18B | -6183 | -18APBS | 18 | |
| -9166 | -16BGS2 | -0167 | -16BGS | -0161 | -16BS | -3166 | -16B | -6163 | -16APBS | 16 | |
| -9146 | -14BGS2 | -0147 | -14BGS | -0141 | -14BS | -3146 | -14B | -6143 | -14APBS | 14 | |
| -9126 | -12BGS2 | -0127 | -12BGS | -0121 | -12BS | -3126 | -12B | -6123 | -12APBS | 12 | |
| -9106 | -10BGS2 | -0107 | -10BGS | -0101 | -10BS | -3106 | -10B | -6103 | -10APBS | 10 | |
| -9086 | -08BGS2 | -0087 | -08BGS | -0081 | -08BS | -3086 | -08B | -6083 | -08APBS | 8 | |
| -9066 | -06BGS2 | -0067 | -06BGS | -0061 | -06BS | -3066 | -06B | -6063 | -06APBS | 6 | |
| ▼ -9046 | ▼ -04BGS2 | ▼ -0047 | ▼ -04BGS | ▼ -0041 | ▼ -04BS | ▼ -3046 | ▼ -04B | ▼ -6043 | ▼ -04APBS | 4 | |
| 39-30-9026 | 5566-02BGS2 | 39-31-0027 | 5566-02BGS | 39-31-0021 | 5566-02BS | 39-29-3026 | 5566-02B | 39-30-6023 | 5566-02APBS | 2 | |
| EDP NO. | ENG. NO. | EDP NO. | ENG. NO. | EDP NO. | ENG. NO. | EDP NO. | ENG. NO. | EDP NO. | ENG. NO. | CKT. SIZE | |
| 5566-NBGS2 | | 5566-NBGS | | 5566-NBS | | 5566-NB | | 5566-NAPBS | | | |
| | 39-31-0245 | 5566-24BPBS | 39-31-0243 | 5566-24BPB | 39-31-0246 | 5566-24BPBS-2 I0 | 39-31-0244 | 5566-24BPB-2 I0 | 24 | | |
| | ▲ -0225 | ▲ -22BPBS | ▲ -0223 | ▲ -22BPB | ▲ -0226 | ▲ -22BPBS-2 I0 | ▲ -0224 | ▲ -22BPB-2 I0 | 22 | | |
| | -0205 | -20BPBS | -0203 | -20BPB | -0206 | -20BPBS-2 I0 | -0204 | -20BPB-2 I0 | 20 | | |
| | -0185 | -18BPBS | -0183 | -18BPB | -0186 | -18BPBS-2 I0 | -0184 | -18BPB-2 I0 | 18 | | |
| | -0165 | -16BPBS | -0163 | -16BPB | -0166 | -16BPBS-2 I0 | -0164 | -16BPB-2 I0 | 16 | | |
| | -0145 | -14BPBS | -0143 | -14BPB | -0146 | -14BPBS-2 I0 | -0144 | -14BPB-2 I0 | 14 | | |
| | -0125 | -12BPBS | -0123 | -12BPB | -0126 | -12BPBS-2 I0 | -0124 | -12BPB-2 I0 | 12 | | |
| | -0105 | -10BPBS | -0103 | -10BPB | -0106 | -10BPBS-2 I0 | -0104 | -10BPB-2 I0 | 10 | | |
| | -0085 | -08BPBS | -0083 | -08BPB | -0086 | -08BPBS-2 I0 | -0084 | -08BPB-2 I0 | 8 | | |
| | -0065 | -06BPBS | -0063 | -06BPB | -0066 | -06BPBS-2 I0 | -0064 | -06BPB-2 I0 | 6 | | |
| | ▼ -0045 | ▼ -04BPBS | ▼ -0043 | ▼ -04BPB | ▼ -0046 | ▼ -04BPBS-2 I0 | ▼ -0044 | ▼ -04BPB-2 I0 | 4 | | |
| | 39-31-0025 | 5566-02BPBS | 39-31-0023 | 5566-02BPB | 39-31-0026 | 5566-02BPBS-2 I0 | 39-31-0024 | 5566-02BPB-2 I0 | 2 | | |
| | EDP NO. | ENG. NO | EDP NO. | ENG. NO | EDP NO. | ENG. NO | EDP NO. | ENG. NO | CKT. SIZE | | |
| | 5566-NBPBS | | 5566-NBPB | | 5566-NBPBS-2 I0 | | 5566-NBPB-2 I0 | | | | |

PARTS WITH DRAIN HOLES

| | | | | | | | |
|---|---------------------------------------|--|-----------------------------|---|--|-----------------------------|------------------------|
| SEE SHEET 1 EC NO: UCP2010-2614 DRWN: J. AGUILAR 2010/04/09 CHKD: IBELL '94/04/20 APPR: FSM TH 2010/04/14 | GENERAL TOLERANCES (UNLESS SPECIFIED) | | DIMENSION STYLE IN/MM | | SCALE --- | DESIGN UNITS METRIC | THIRD ANGLE PROJECTION |
| | 10 UNDER | ± --- | DRAWN BY H. HIRAMOTO | DATE '89/04/03 | TITLE NEW MINI FIT CONNECTOR HEADER HOUSING ASS'Y -LEAD FREE- | | |
| | 10 OVER 30 UNDER | ± --- | CHECKED BY M. FUKUSHIMA | DATE '94/04/20 | MOLEX MOLEX INCORPORATED | | |
| | 30 OVER | ± --- | APPROVED BY M. FUKUSHIMA | DATE '94/04/20 | MATERIAL NO. SEE TABLE | DOCUMENT NO. SD-5566-002 | SHEET NO. 3 OF 6 |
| ANGULAR ± --- ° | | DRAFT WHERE APPLICABLE MUST REMAIN WITHIN DIMENSIONS | | THIS DRAWING CONTAINS INFORMATION THAT IS PROPRIETARY TO MOLEX INCORPORATED AND SHOULD NOT BE USED WITHOUT WRITTEN PERMISSION | | | |