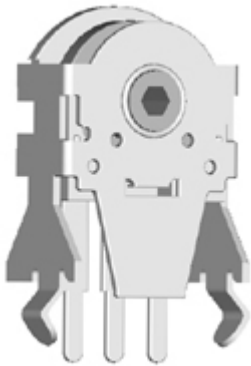


Model(型號): **ROTARY POTENTIOMETER-----EC10A12V090**

► Download PDF file



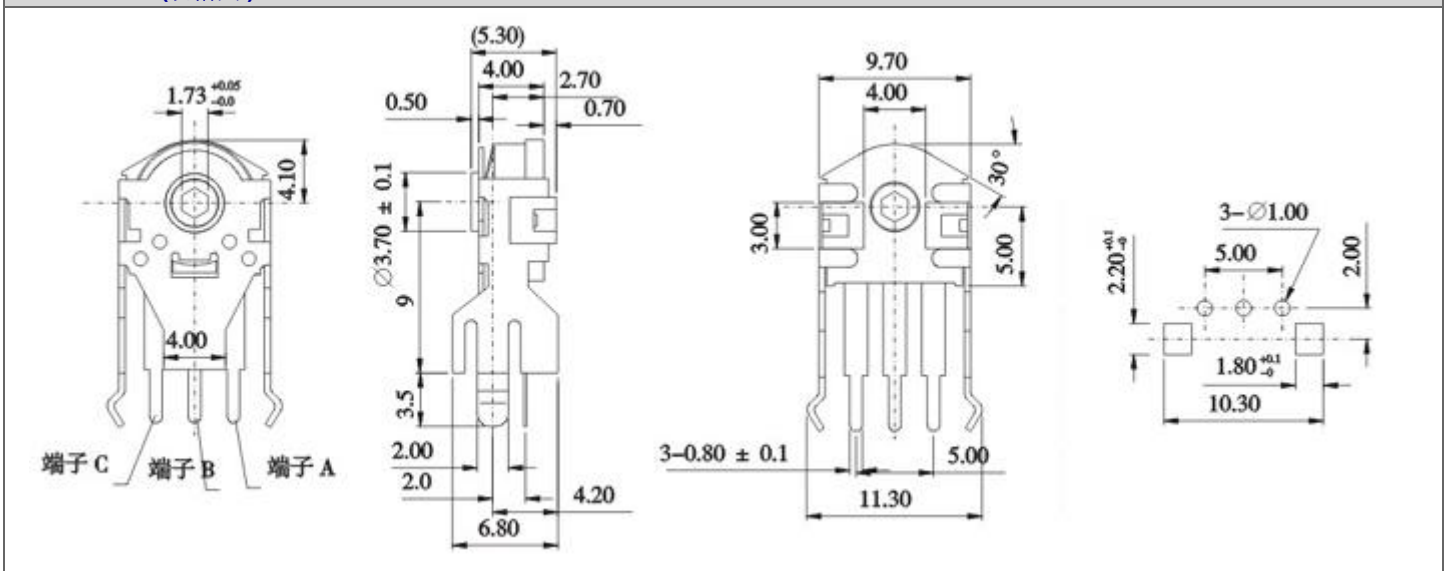
Features:(特點):

Small body as thin as 4.4mm . height from the shaft centrt to the product top is only 3.6mm .
A long-life type that can operate more than 100,000 cycles .
The operability has been improved by incorporating a good-feeling detent mechanism .
The unique through shaft shape contribute for simplifying SET design .An incremental type

Applications(作用):

Various controls for personal computer input device , AV equipment , communication equipment , etc .

Dimensions(規格圖):



Specifications(規格)

Pulses / rotation [分解能]	12
Output Code [輸出代碼]	Phase difference 2 signals
Total rotational angle [回轉角度]	360°
Rotational life [回轉壽命]	More than 10,000 cycles

OUTPUT SIGNAL 輸出信號

[The broken line shows detent position of with detent type 圖中虛線表示子點位置]

CW 順時針方向		CCW 逆時針方向	
A 信號	OFF	A 信號	OFF
	ON		ON
B 信號	OFF	B 信號	OFF
	ON		ON