

PLEASE CHECK WWW.MOLEX.COM FOR LATEST PART INFORMATION

Part Number: [0473920001](#)
Status: **Active**
Description: 1.27mm (.050") Pitch External Improved Metal-Shielded Serial ATA Plug, Through Hole, Right Angle, Gold Flash, Unmating Height 7.70mm (.303"), Black, Staggered Plastic Pegs, without Mylar, 7 Circuits, Lead free

Documents:

[3D Model](#) [Product Specification PS-47082-001 \(PDF\)](#)
[Drawing \(PDF\)](#) [RoHS Certificate of Compliance \(PDF\)](#)

General

Product Family	I/O Connectors
Series	47392
Application	Wire-to-Board
Comments	DIP Mount with Shell
Component Type	Plug
Product Name	External Serial ATA
Type	N/A

Physical

Boot Color	N/A
Circuits (Loaded)	7
Circuits (maximum)	7
Color - Resin	Black
Gender	Plug
Keying to Mating Part	Yes
Lock to Mating Part	Yes
Material - Metal	Copper Alloy
Material - Plating Mating	Gold
Material - Plating Termination	Tin
Number of Rows	1
Orientation	Right Angle
PCB Locator	Yes
PCB Retention	Yes
PCB Thickness Recommended (in)	0.051 In
PCB Thickness Recommended (mm)	1.30 mm
Packaging Type	Tray
Panel Mount	Front
Pitch - Mating Interface (in)	0.050 In
Pitch - Mating Interface (mm)	1.27 mm
Pitch - Term. Interface (in)	0.050 In
Pitch - Term. Interface (mm)	1.27 mm
Plating min: Mating (µin)	2
Plating min: Mating (µm)	0.05
Plating min: Termination (µin)	76
Plating min: Termination (µm)	1.9
Polarized to Mating Part	Yes
Polarized to PCB	Yes
Ports	1
Surface Mount Compatible (SMC)	Yes
Temperature Range - Operating	-35°C to +85°C
Termination Interface: Style	Through Hole
Waterproof / Dustproof	No

Electrical

Current - Maximum per Contact	1.5A
-------------------------------	------

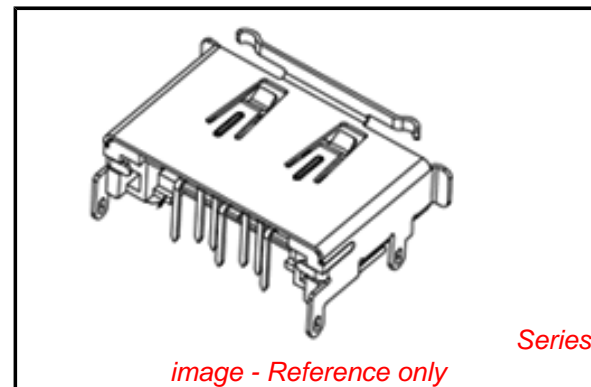


image - Reference only

EU RoHS

**ELV and RoHS
Compliant**
REACH SVHC
 Not Reviewed
**Halogen-Free
Status**

China RoHS



**Need more information on product
environmental compliance?**

Email productcompliance@molex.com
 For a multiple part number RoHS Certificate of Compliance, [click here](#)

Please visit the [Contact Us](#) section for any non-product compliance questions.

Search Parts in this Series

[47392Series](#)

Mates With

[68782](#) External Serial ATA Cable Assemblies . [47078-0001](#) , [47078-1001](#) , [47078-2001](#) , [47078-0003](#) , [47078-0004](#) Cable Connector for External Serial ATA

Grounding to Panel
Shield Type
Shielded
Voltage - Maximum

All Panel Ground Tabs
Upper Shielding
Yes
15V DC

Material Info

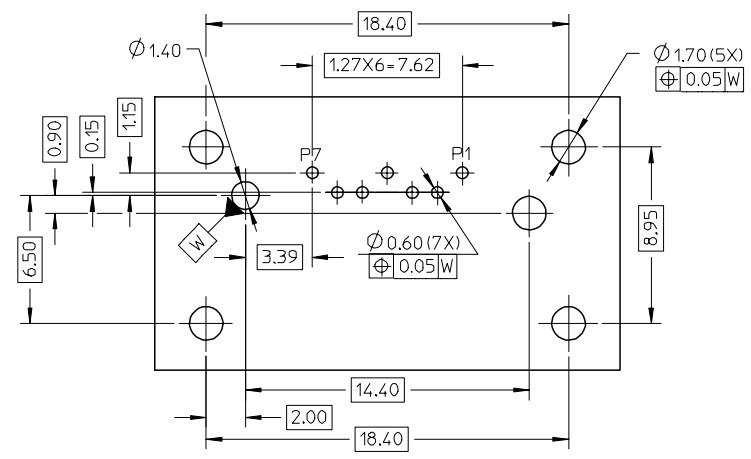
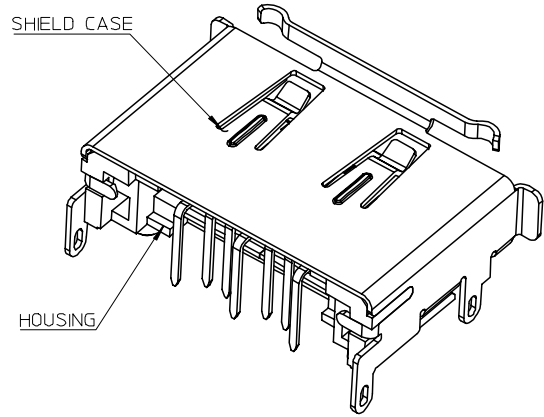
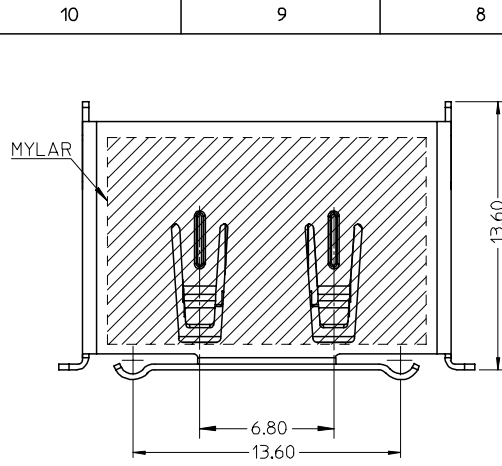
Reference - Drawing Numbers

Product Specification
Sales Drawing

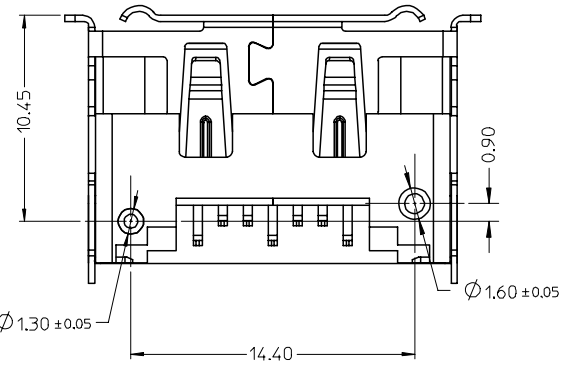
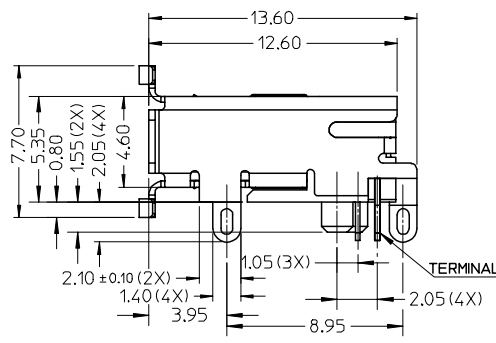
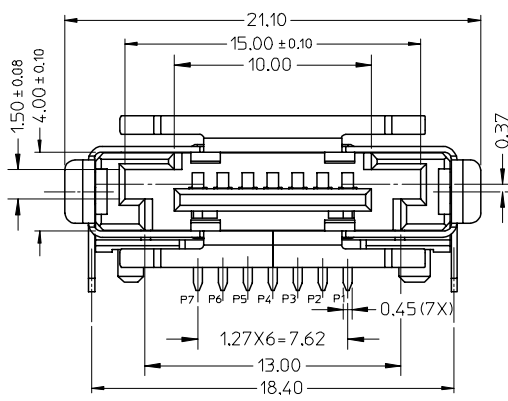
PS-47082-001
SD-47392-100

This document was generated on 04/02/2010

PLEASE CHECK WWW.MOLEX.COM FOR LATEST PART INFORMATION



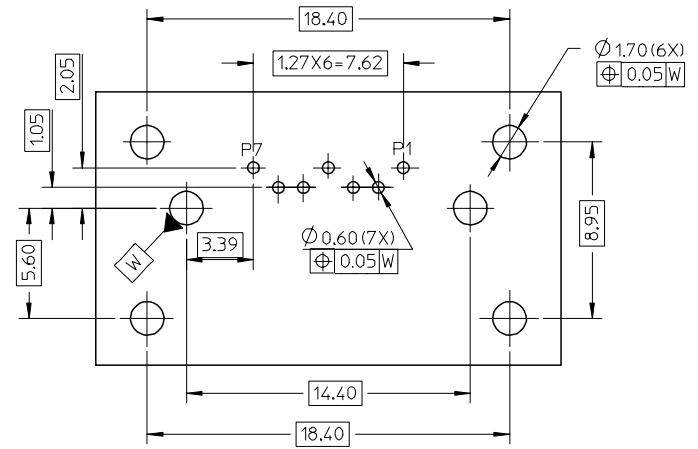
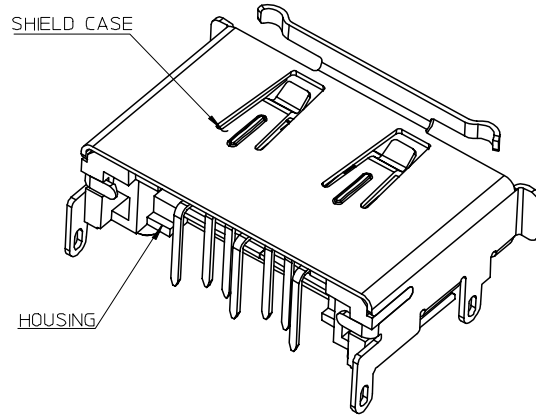
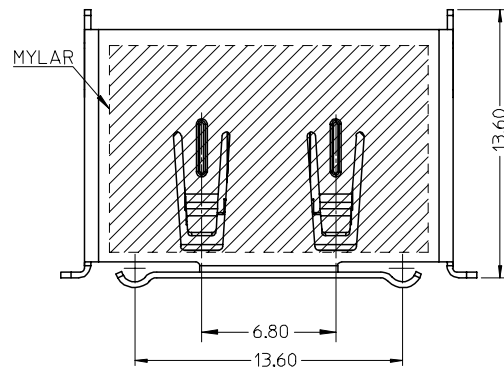
RECOMMEND PCB LAYOUT(CONNECTOR SIDE)
THICKNESS=1.30(ALL TOLERANCE: +/-0.05)



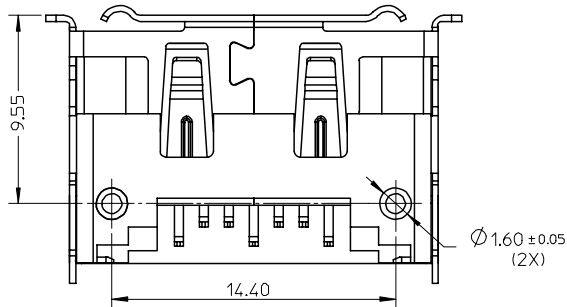
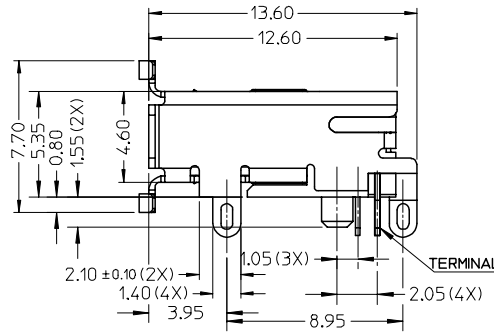
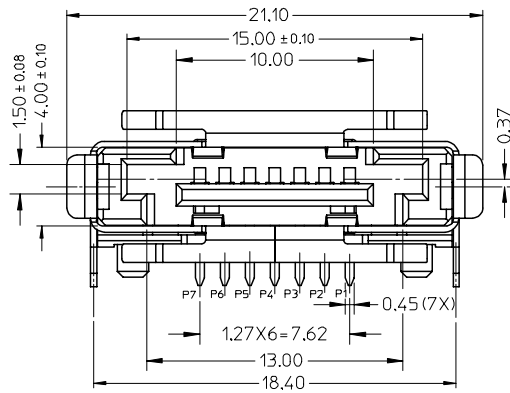
NOTES:

- MATERIAL:
HOUSING: THERMAL PLASTIC,COLOR: BLACK, UL94V-0.
SHIELD CASE: COPPER ALLOY.
TERMIANL: COPPER ALLOY.
- PLATING:
SHIELD CASE: 100~200μ" SOLDERABLE NICKEL OVER ALL.
TERMINAL: CONTACT AREA GOLD PLATING(SEE CHART) AND
SOLDER TAIL 50~100μ" TIN ALLOY PLATING
OVER 50μ" MIN. NICKEL.
- PRODUCT SPEC REFER TO PS-47082-001.
- PACKAGE SPEC REFER TO PK-47379-001.
- PRODUCT MEET STANDARD 1.0 REVISION OF THE SERIAL ATA II:
CABLE AND CONNECTOR VOL 2 SPECIFICATION.
- PRODUCT COMPLIANT TO RoHS DIRECTIVE 2002/95/EC AND ELV 2000/53/EC.

REVISED	EC NO:	2007/04/30	QUALITY SYMBOLS	GENERAL TOLERANCES (UNLESS SPECIFIED)	DIMENSION STYLE		SCALE	DESIGN UNITS	THIRD ANGLE PROJECTION		
	DRWN:GLLI	2007/05/04			MM ONLY					1:1	METRIC
	CHKD:	2007/05/09			mm	INCH					
	APPR: JNCHEN				4 PLACES ± --- ± ---	DRAWN BY DATE					
REV	DESCRIPTION	3 PLACES ± --- ± ---	DIXON LI 2006/11/17	EXTERNAL SATA PLUG WITH SHELL							
		2 PLACES ± 0.2 ± ---	CHECKED BY DATE	1 PLACE ± 0.25 ± ---	JENNY ZENG 2006/11/17	DIP MOUNT TYPE					
		ANGULAR ± 3 °	APPROVED BY DATE	DRAFT WHERE APPLICABLE MUST REMAIN WITHIN DIMENSIONS		MOLEX INCORPORATED					
				SEE TABLE IN SHEET 3		MATERIAL NO.	DOCUMENT NO.	SHEET NO.			
							SD-47392-100	1 OF 3			
						THIS DRAWING CONTAINS INFORMATION THAT IS PROPRIETARY TO MOLEX INCORPORATED AND SHOULD NOT BE USED WITHOUT WRITTEN PERMISSION					



RECOMMEND PCB LAYOUT(CONNECTOR SIDE)
THICKNESS=1.30(ALL TOLERANCE: +/-0.05)



REVISED	EC NO:	2007/04/30
	DRWN:GLLI	2007/05/04
	CHKD:	2007/05/09
	APPR: JNCHEN	
	REV	DESCRIPTION

QUALITY SYMBOLS	▽=0
	▽C=0

GENERAL TOLERANCES (UNLESS SPECIFIED)		
	mm	INCH
4 PLACES	± ---	± ---
3 PLACES	± ---	± ---
2 PLACES	± 0.2	± ---
1 PLACE	± 0.25	± ---
ANGULAR ± 3 °		
DRAFT WHERE APPLICABLE MUST REMAIN WITHIN DIMENSIONS		

DIMENSION STYLE		SCALE	DESIGN UNITS	THIRD ANGLE PROJECTION
MM ONLY		1:1	METRIC	
DRAWN BY	DATE	TITLE		
DIXON LI	2006/11/17	EXTERNAL SATA PLUG WITH SHELL		
CHECKED BY	DATE	DIP MOUNT TYPE		
JENNY ZENG	2006/11/17	MOLEX INCORPORATED		
APPROVED BY	DATE	MOLEX INCORPORATED		
GRATE MA	2006/11/17	MOLEX INCORPORATED		
MATERIAL NO.		DOCUMENT NO.	SHEET NO.	
		SD-47392-100	2 OF 3	
SIZE	SEE TABLE IN SHEET 3			
A3	THIS DRAWING CONTAINS INFORMATION THAT IS PROPRIETARY TO MOLEX INCORPORATED AND SHOULD NOT BE USED WITHOUT WRITTEN PERMISSION			

	10	9	8	7	6	5	4	3	2	1							
F	473920205	ORANGE	0.76 MICRONS MIN	PA46(ONLY USE FOR WAVE SOLDER)	TWO POSTS ARE STAGGER AND DIAMETERS ARE DIFERRENT (DETAILS REFER TO SHEET 1)		473921205	ORANGE	0.76 MICRONS MIN	PA46(ONLY USE FOR WAVE SOLDER)	TWO POSTS ARE IN LINE AND DIAMETERS ARE SAME (DETAILS REFER TO SHEET 2)						
	473920204	RED					473921204	RED									
	473920203	BLUE					473921203	BLUE									
	473920202	NATURE					473921202	NATURE									
	473920201	BLACK					473921201	BLACK									
	E	473920105	ORANGE				0.38 MICRONS MIN	GOLD FLASH					473921105	ORANGE	0.38 MICRONS MIN		
		473920104	RED										473921104	RED			
		473920103	BLUE										473921103	BLUE			
		473920102	NATURE										473921102	NATURE			
		473920101	BLACK										473921101	BLACK			
D	473920005	ORANGE	0.76 MICRONS MIN	PA6T(USE FOR IR AND WAVE SOLDER)			473921005	ORANGE	0.76 MICRONS MIN								
	473920004	RED					473921004	RED									
	473920003	BLUE					473921003	BLUE									
	473920002	NATURE					473921002	NATURE									
	473920001	BLACK					473921001	BLACK									
C	473920305	ORANGE	0.38 MICRONS MIN	PA6T(USE FOR IR AND WAVE SOLDER)			473921305	ORANGE	0.38 MICRONS MIN	PA6T(USE FOR IR AND WAVE SOLDER)							
	473920304	RED					473921304	RED									
	473920303	BLUE					473921303	BLUE									
	473920302	NATURE					473921302	NATURE									
	473920301	BLACK					473921301	BLACK									
	B	473920405	ORANGE				GOLD FLASH						473921405	ORANGE	GOLD FLASH		
		473920404	RED										473921404	RED			
		473920403	BLUE										473921403	BLUE			
		473920402	NATURE										473921402	NATURE			
		473920401	BLACK										473921401	BLACK			
A	473920505	ORANGE	GOLD FLASH				473921505	ORANGE	GOLD FLASH								
	473920504	RED					473921504	RED									
	473920503	BLUE					473921503	BLUE									
	473920502	NATURE					473921502	NATURE									
	473920501	BLACK					473921501	BLACK									
MATERIAL MUBER	HOUSING COLOR	TERMINAL CONTACT PLATING	HOUSING MATERIAL	REMARK			MATERIAL NUMBER	HOUSING COLOR	TERMINAL CONTACT PLATING	HOUSING MATERIAL	REMARK						

B

REVISED	EC NO: SH2007-0788	2007/04/30	QUALITY SYMBOLS	GENERAL TOLERANCES (UNLESS SPECIFIED)	DIMENSION STYLE		SCALE	DESIGN UNITS	THIRD ANGLE PROJECTION		
	DRWN:GLLI	2007/05/04			MM ONLY			METRIC			
	CHKD:JTIAN	2007/05/09			4 PLACES	± ---	± ---	DRAWN BY	DATE	TITLE	
	APPR: JNCHEN	2007/05/09			3 PLACES	± ---	± ---	DIXON LI	2006/11/17	EXTERNAL SATA PLUG WITH SHELL DIP MOUNT TYPE	
					2 PLACES	± 0.2	± ---	CHECKED BY	DATE	MOLEX INCORPORATED	
		1 PLACE	± 0.25	± ---	JENNY ZENG	2006/11/17					
				ANGULAR ± 3 °	APPROVED BY	DATE					
					GRATE MA	2006/11/17					
					MATERIAL NO.	DOCUMENT NO.					
					SIZE	SEE TABLE		SD-47392-100			
					DRAFT WHERE APPLICABLE MUST REMAIN WITHIN DIMENSIONS		THIS DRAWING CONTAINS INFORMATION THAT IS PROPRIETARY TO MOLEX INCORPORATED AND SHOULD NOT BE USED WITHOUT WRITTEN PERMISSION		SHEET NO. 3 OF 3		