

PLEASE CHECK WWW.MOLEX.COM FOR LATEST PART INFORMATION

Part Number: [0525593652](#)
Status: **Active**
Overview:
Description: 0.50mm (.020") Pitch FFC/FPC Connector, Vertical, SMT, ZIF, 36 Circuits, Lead-free, Gold Contact Plating, High Barrier Packaging

Agency Certification

UL E29179

General

Product Family FFC/FPC Connectors
 Series 52559
 Overview ffc_fpc_smt
 Product Name N/A

Physical

Circuits (Loaded) 36
 Contact Position N/A
 Durability (mating cycles max) 20
 Entry Angle Vertical
 Flammability 94V-0
 Mated Height (in) 0.154 In
 Mated Height (mm) 3.90 mm
 Material - Metal Phosphor Bronze
 Material - Plating Mating Gold
 Material - Plating Termination Tin
 Material - Resin Nylon
 Number of Rows 1
 Orientation Vertical
 PCB Locator No
 PCB Retention Yes
 Packaging Type Embossed Tape on Reel
 Pitch - Mating Interface (in) 0.020 In
 Pitch - Mating Interface (mm) 0.50 mm
 Polarized to PCB No
 Stackable No
 Temperature Range - Operating -20°C to +85°C
 Termination Interface: Style Surface Mount
 Wire/Cable Type FFC/FPC

Electrical

Current - Maximum per Contact 0.5A
 Voltage - Maximum 50V AC (RMS)/DC

Material Info

Reference - Drawing Numbers

Application Specification AS-52559-001
 Packaging Specification SPK-52559-001, SPK-52559-003
 Product Specification PS-52559-013, RPS-52559-062, RPS-52559-064, RPS-52559-065, RPS-52559-068, RPS-52559-070, RPS-52559-072, RPS-52559-074
 Sales Drawing SD-52559-048, SD-52559-049

EU RoHS

ELV and RoHS Compliant
REACH SVHC Contains SVHC: No
Halogen-Free Status

China RoHS



Not Halogen-Free

Need more information on product environmental compliance?

Email productcompliance@molex.com
 For a multiple part number RoHS Certificate of Compliance, [click here](#)

Please visit the [Contact Us](#) section for any non-product compliance questions.

Search Parts in this Series

[52559Series](#)

PLEASE CHECK WWW.MOLEX.COM FOR LATEST PART INFORMATION

10

9

8

7

6

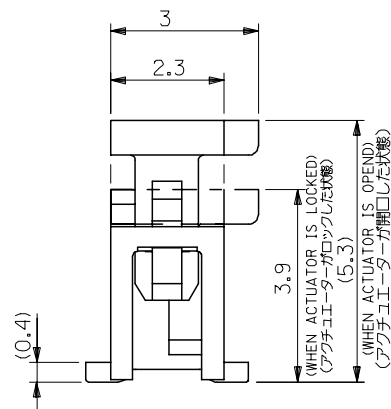
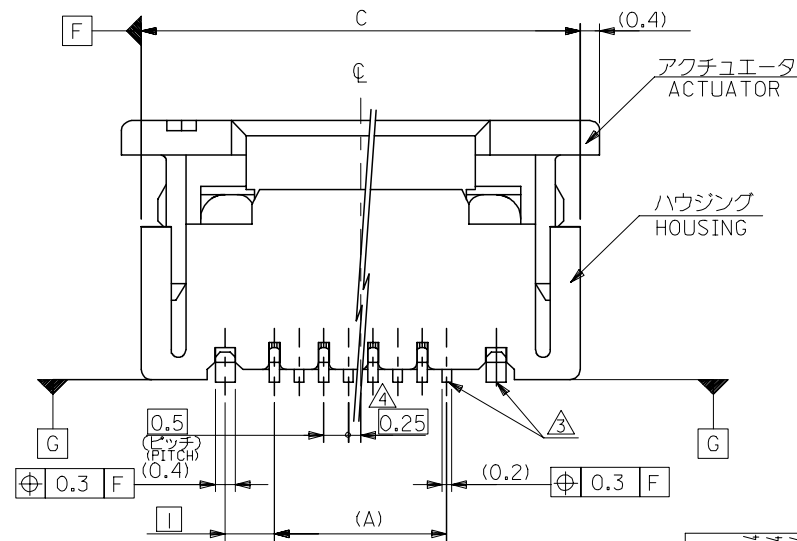
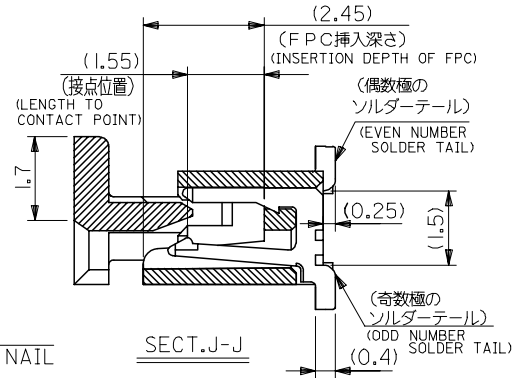
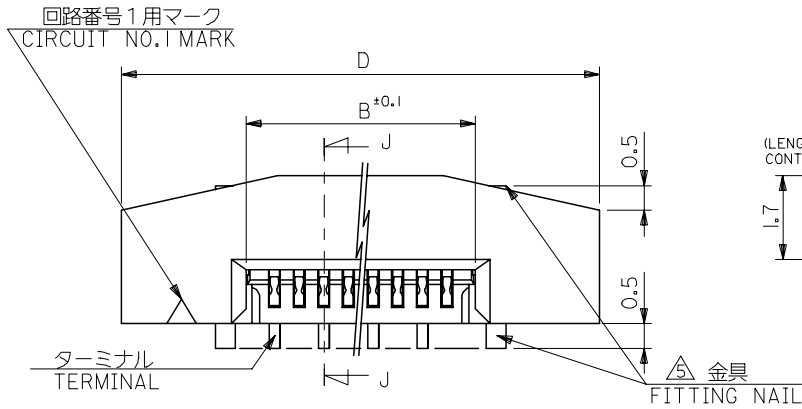
5

4

3

2

1

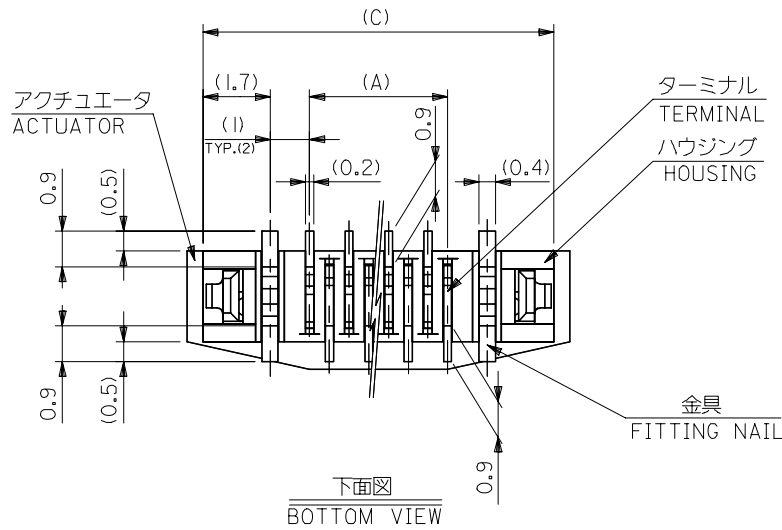


注記 NOTES

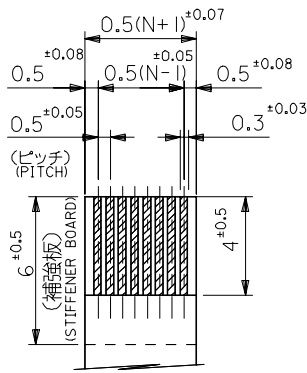
- 使用材料 : MATERIAL
 - ハウジング HOUSING : 46NYLON UL94V-0
 - アクチュエータ ACTUATOR : PPS UL94V-0
 - ターミナル TERMINAL : リン青銅 (t=0.2) PHOS-BRO
 - 接点部 金メッキ 0.1マイクロメートル以上 CONTACT GOLD 0.1 MICROMETER MINIMUM
 - 半田付け部 錫メッキ 1.0マイクロメートル以上 TAIL TIN 1.0 MICROMETER MINIMUM
 - ニッケル下地 1.0マイクロメートル以上 NICKEL (UNDER PLATING) 1.0 MICROMETER MINIMUM
 - 金具 FITTING NAIL : リン青銅 (t=0.4) PHOS-BRO
 - 錫メッキ 1.0マイクロメートル以上 TIN 1.0 MICROMETER MINIMUM
 - ニッケル下地 1.0マイクロメートル以上 NICKEL (UNDER PLATING) 1.0 MICROMETER MINIMUM
- エンボステープ梱包時は、アクチュエータがロックした状態とする。
IN THE PACKAGE, ACTUATOR OF PART NO. 52559-**79 SHOULD BE LOCKED.
ソルダータール半田付け面のスレ量、及び金具半田付け面のスレ量は、基準面 G に対し上方向 0.05 MAX. , 下方向 0.15 MAX. とする。
MISALIGNMENT OF SOLDER TAILS AND FITTING NAILS FROM UPPER DIRECTION: 0.05 MAX. , LOWER DIRECTION: 0.15 MAX.
- 偶数極に適用。
APPLY FOR EVEN CIRCUIT.
- パターンはくり止め用金具。
FITTING NAIL FOR PREVENTION OF PEELING OF P.C.B. PATTERN.
- RO. 3は、FPCの導体部にかからないこと。
RO.3 MUST NOT BE OVERLAPPED TO PATTERN OF FPC.

MODEL NO. 52559-**79

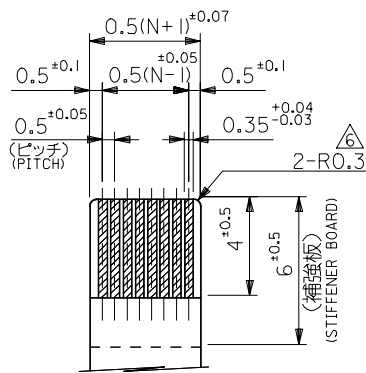
RELEASED EC NO: J2005-0174 DRAWN: MNABE1 2004/07/14 CHKD: KTOJO 2004/07/14 APPR: NUKITA 2004/07/14 REV: 0	GENERAL TOLERANCES (UNLESS SPECIFIED)		DIMENSION STYLE MM ONLY		SCALE ---	DESIGN UNITS METRIC	THIRD ANGLE PROJECTION	
	10 UNDER	±0.2	DRAWN BY MNABE1	DATE '04/07/13	TITLE 0.5 FPC CONN ASSY ZIF.			
	10 OVER 30 UNDER	±0.25	CHECKED BY KTOJO	DATE '04/07/13	-LEAD FREE-			
	30 OVER	±0.3	APPROVED BY NUKITA	DATE '04/07/13	molex MOLEX INCORPORATED			
	ANGULAR	±3 °	MATERIAL NO. SEE CHART	DOCUMENT NO. SD-52559-048	SHEET NO. 1 OF 2			
DRAFT WHERE APPLICABLE MUST REMAIN WITHIN DIMENSIONS		SIZE A3		THIS DRAWING CONTAINS INFORMATION THAT IS PROPRIETARY TO MOLEX INCORPORATED AND SHOULD NOT BE USED WITHOUT WRITTEN PERMISSION				



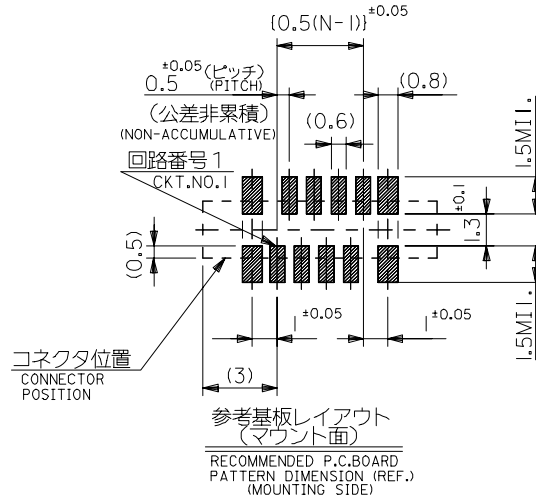
下面図
BOTTOM VIEW



適合FPC推奨寸法
APPLICABLE FPC
RECOMMENDED DIMENSION.
(仕上がり厚さ: 0.3^{+0.05})
(THICKNESS: 0.3^{+0.05})



適合FPC推奨寸法
APPLICABLE FPC
RECOMMENDED DIMENSION.
(仕上がり厚さ: 0.3^{+0.05})
(THICKNESS: 0.3^{+0.05})



FPCについて：
打抜き方向は導体側から補強板側を推奨致します。
補強フィルム材質はポリイミドを推奨致します。
接着剤は熱硬化接着剤を推奨致します。

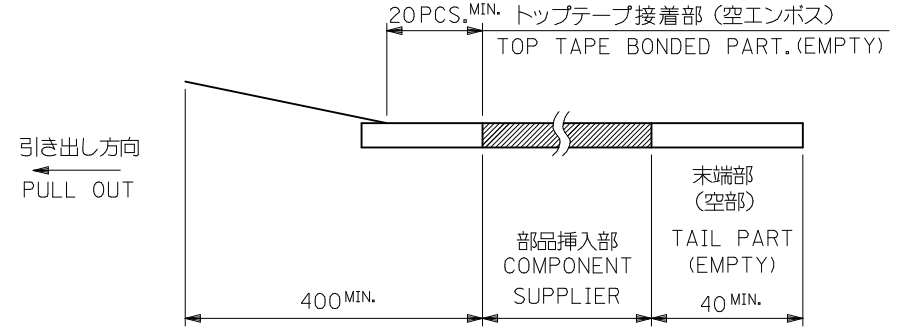
ABOUT FPC :
RECOMMENDED PUNCHER DIRECTION : FROM CONDUCTOR SIDE TO STIFFENER BOARD SIDE.
RECOMMENDED MATERIAL :
STIFFENER FILM : POLYIMIDE
BONDING AGENT : THERMOSETTING BONDING AGENT

25.7	24.9	20.65	19.5	52559-4079	40
23.7	22.9	18.65	17.5	-3679	36
22.2	21.4	17.15	16.0	-3379	33
21.7	20.9	16.65	15.5	-3279	32
21.2	20.4	16.15	15.0	-3179	31
20.7	19.9	15.65	14.5	-3079	30
20.2	19.4	15.15	14.0	-2979	29
19.7	18.9	14.65	13.5	-2879	28
19.2	18.4	14.15	13.0	-2779	27
18.7	17.9	13.65	12.5	-2679	26
18.2	17.4	13.15	12.0	-2579	25
17.7	16.9	12.65	11.5	-2479	24
17.2	16.4	12.15	11.0	-2379	23
16.7	15.9	11.65	10.5	-2279	22
16.2	15.4	11.15	10.0	-2179	21
15.7	14.9	10.65	9.5	-2079	20
15.2	14.4	10.15	9.0	-1979	19
14.7	13.9	9.65	8.5	-1879	18
14.2	13.4	9.15	8.0	-1779	17
13.7	12.9	8.65	7.5	-1679	16
13.2	12.4	8.15	7.0	-1579	15
12.7	11.9	7.65	6.5	-1479	14
12.2	11.4	7.15	6.0	-1379	13
11.7	10.9	6.65	5.5	-1279	12
11.2	10.4	6.15	5.0	-1179	11
10.7	9.9	5.65	4.5	-1079	10
10.2	9.4	5.15	4.0	-0979	9
9.7	8.9	4.65	3.5	-0879	8
8.7	7.9	3.65	2.5	52559-0679	6
D	C	B	(A)	MATERIAL NO.	極数

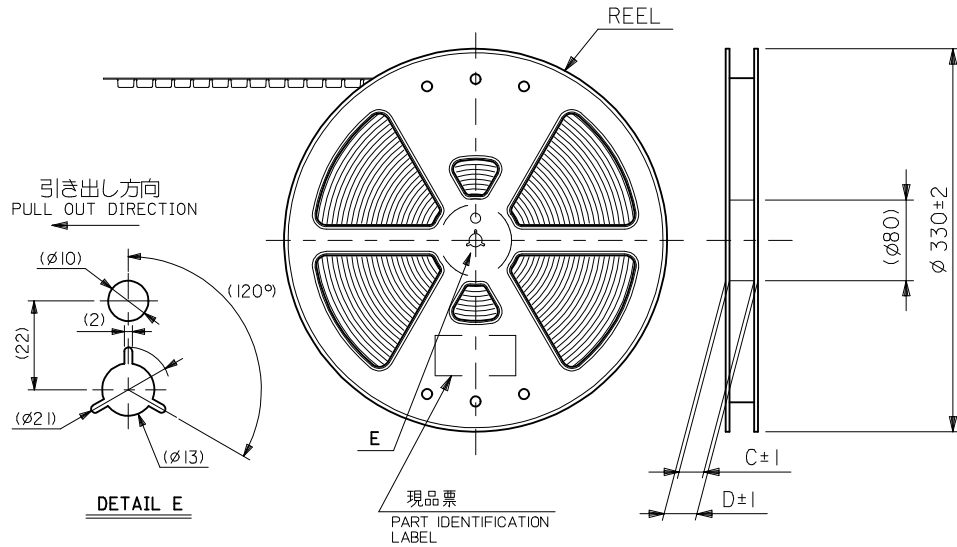
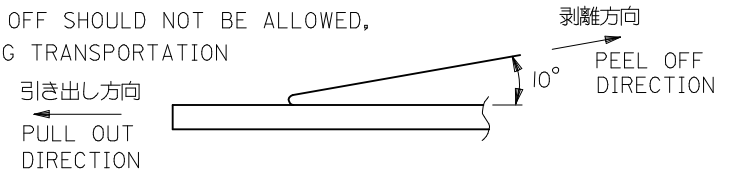
RELEASED EC NO: J2005-0174 DRAWN: MNABE 2004/07/14 CHKD: KTOJO 2004/07/14 APPR: NUKITA 2004/07/14 REV: 0	GENERAL TOLERANCES (UNLESS SPECIFIED)		DIMENSION STYLE MM ONLY		SCALE ---	MODEL NO. DESIGN UNITS METRIC	52559-**79
	10 UNDER	±0.2	DRAWN BY MNABE1	DATE '04/07/13	TITLE 0.5 FPC CONN ASSY ZIF.		
	10 OVER 30 UNDER	±0.25	CHECKED BY KTOJO	DATE '04/07/13	-LEAD FREE-		
	30 OVER	±0.3	APPROVED BY NUKITA	DATE '04/07/13	MOLEX INCORPORATED		
ANGULAR ±3 °		DRAFT WHERE APPLICABLE MUST REMAIN WITHIN DIMENSIONS		MATERIAL NO. SEE CHART	DOCUMENT NO. SD-52559-048	SHEET NO. 2 OF 2	
THIS DRAWING CONTAINS INFORMATION THAT IS PROPRIETARY TO MOLEX INCORPORATED AND SHOULD NOT BE USED WITHOUT WRITTEN PERMISSION							

注記 NOTES

- 製品番号 52559-**79 の梱包状態はアクチュエータがロックした状態とする。
 詳細寸法については 製品単体図面を参照下さい。
 IN THE PACKAGE,ACTUATOR OF PART NO.52559-**79 SHOULD BE LOCKED
 RE DETAILED DIMENSIONS,SEE ASSY DRAWING
- 梱包数量：1000個/リール
 NUMBER OF CONNECTORS:1000PCS/REEL
- リードテープ長さ LEAD TAPE LENGTH



- トップテープの剥離強度：(剥離方向は下図参照)
 0.1N~1.3N {10gf~130gf} 尚、本規格値は、出荷時に適用。
 (但し、輸送時に剥離が発生しない事。)
 PEELING OFF FORCE OF TOP TAPE
 0.1N~1.3N{10gf~130gf}(PEELING DIRECTION AS SHOWN IN FOLLOWING FIG.)
 THIS REQUIREMENT SHOULD BE APPLIED AT SHIPMENT
 PEEL OFF SHOULD NOT BE ALLOWED,
 DURING TRANSPORTATION



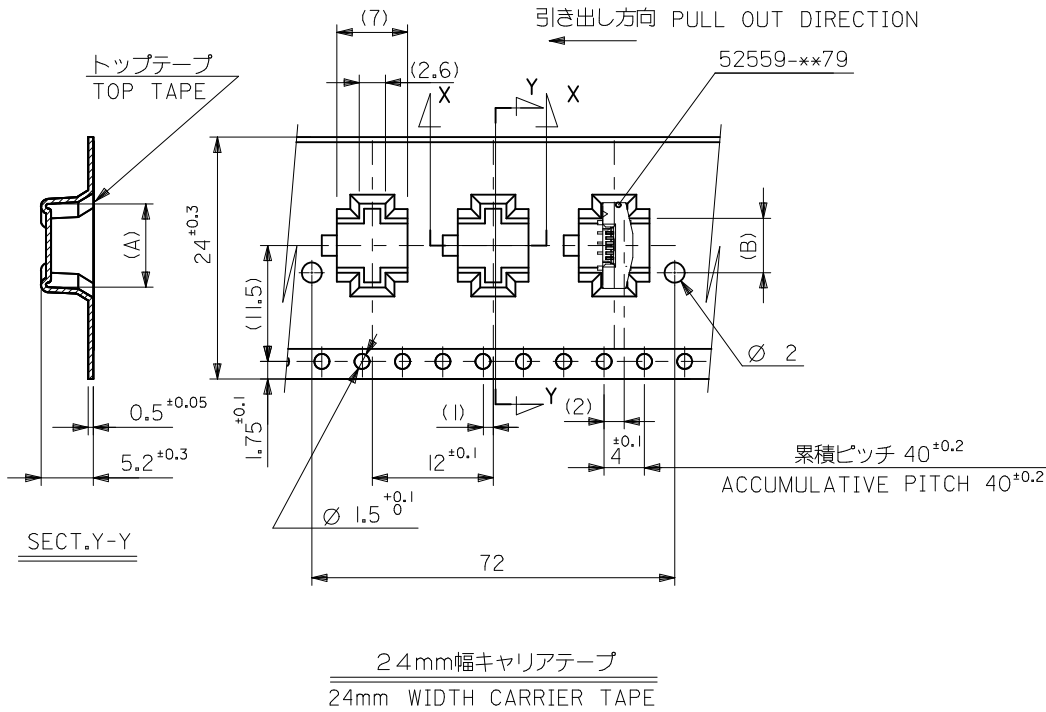
5. 材料 キャリアテープ：ポリプロピレン (PP)
 トップテープ：PET, PE, PEF
 リール：ポリスチレン (PS) <リサイクル材を含む>

MATERIAL CARRIER TAPE:POLYPROPYLENE
 TOP TAPE:PET,PE,PEF
 REEL:POLYSTYRENE (PS)
 <RECYCLE MATERIAL CONTAINED>

6. 本製品は 52559-**53 のエンボステープ違い品である。
 THIS PRODUCT IS EMBOSSED TAPE DIFFERENCE ARTICLE OF 52559-**53.

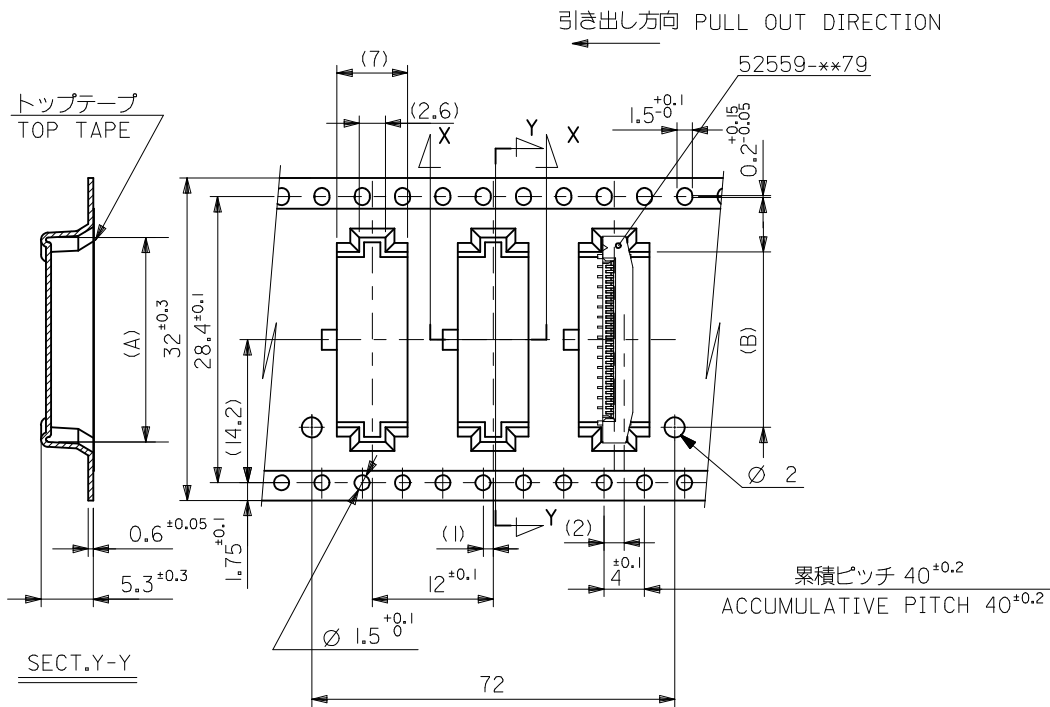
7. 本製品は乾燥剤入り、ハイバリア梱包仕様である。
 THIS PRODUCT IS HIGH BARRIER PACKAGE WITH DESICCANT.

REVISED EC NO: J2009-2061 DRWN:TKON 2009/05/20 CHKD:HMATSUMOTO 2009/05/21 APPR:NUKITA 2009/05/21	DESCRIPTION REV	GENERAL TOLERANCES (UNLESS SPECIFIED)		DIMENSION STYLE MM ONLY		SCALE ---	52559-**52	MODEL NO.
		10 UNDER ±0.2		DRAWN BY MNABEI	DATE '04/07/13	TITLE	DESIGN UNITS METRIC	THIRD ANGLE PROJECTION
		10 OVER 30 UNDER ±0.25		CHECKED BY KTOJO	DATE '04/07/13	0.5 FPC CONN ASSY ZIF FOR SMT EMBSTP PKG -LEAD FREE- MOLEX INCORPORATED	DOCUMENT NO. SD-52559-049	SHEET NO. 1 OF 4
		30 OVER ±0.3		APPROVED BY NUKITA	DATE '04/07/13			
ANGULAR ±3 °		DRAFT WHERE APPLICABLE MUST REMAIN WITHIN DIMENSIONS		SEE SHEET 2-4		MATERIAL NO.		
SIZE A3		THIS DRAWING CONTAINS INFORMATION THAT IS PROPRIETARY TO MOLEX INCORPORATED AND SHOULD NOT BE USED WITHOUT WRITTEN PERMISSION						



24	29.4	25.4	14.4	17.3	52559-2452	24		
			13.9	16.8	52559-2352	23		
			12.9	15.8	52559-2152	21		
			12.4	15.3	52559-2052	20		
			10.9	13.8	52559-1752	17		
			10.4	13.3	52559-1652	16		
			9.9	12.8	52559-1552	15		
			9.4	12.3	52559-1452	14		
			8.4	11.3	52559-1252	12		
			7.4	10.3	52559-1052	10		
6.9	9.8	52559-0952	9					
5.4	8.3	52559-0652	6					
キャリアテープ幅 CARRIER TAPE WIDTH			D	C	(B)	(A)	MATERIAL NO.	CIRCUIT NO.

REVISED EC NO.: J2009-2061 DRWN:TKON 2009/05/20 CHKD:HMATSUMOTO 2009/05/21 APPR:NUKITA 2009/05/21	GENERAL TOLERANCES (UNLESS SPECIFIED)		DIMENSION STYLE MM ONLY	SCALE ---	52559-**-52	MODEL NO.
	10 UNDER	±0.2	DRAWN BY MNABEI	DATE '04/07/13	TITLE 0.5 FPC CONN ASSY ZIF FOR SMT EMBSTP PKG -LEAD FREE-	
	10 OVER 30 UNDER	±0.25	CHECKED BY KTOJO	DATE '04/07/13	MOLEX INCORPORATED	
	30 OVER	±0.3	APPROVED BY NUKITA	DATE '04/07/13	DOCUMENT NO. SD-52559-049	SHEET NO. 2 OF 4
	ANGULAR ±3 °	DRAFT WHERE APPLICABLE MUST REMAIN WITHIN DIMENSIONS	SEE TABLE		THIS DRAWING CONTAINS INFORMATION THAT IS PROPRIETARY TO MOLEX INCORPORATED AND SHOULD NOT BE USED WITHOUT WRITTEN PERMISSION	



32mm幅キャリアテープ
32mm WIDTH CARRIER TAPE

32	37.4	33.4	(B)	(A)	52559-3252	32
			(B)	(A)	52559-3052	30
			(B)	(A)	52559-2852	28
			(B)	(A)	52559-2752	27
			(B)	(A)	52559-2652	26
キャリアテープ幅 CARRIER TAPE WIDTH	D	C	(B)	(A)	MATERIAL NO.	CIRCUIT NO.

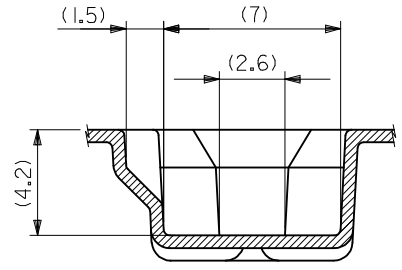
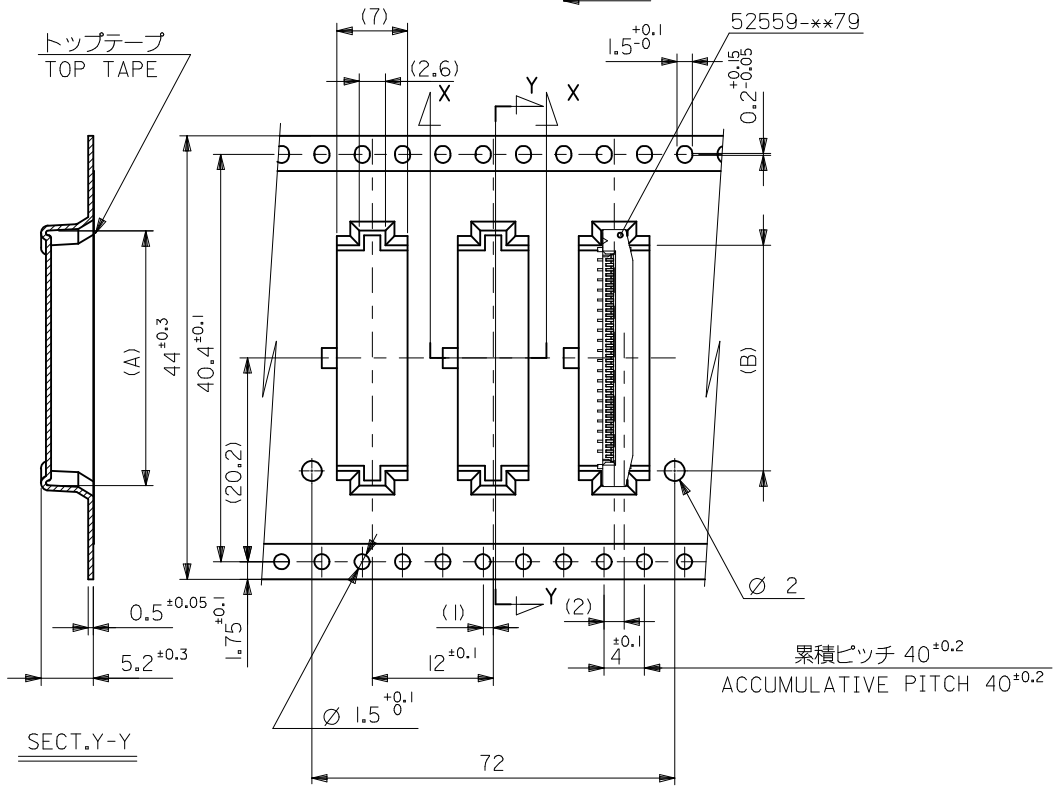
REVISED EC NO.: J2009-2061 DRWN:TKGN 2009/05/20 CHKD:HMATSUMOTO 2009/05/21 APPR:NUKITA 2009/05/21	GENERAL TOLERANCES (UNLESS SPECIFIED)		DIMENSION STYLE MM ONLY		SCALE ---		52559-**52 MODEL NO.	
	10 UNDER	±0.2	DRAWN BY MNABEI		DATE '04/07/13		DESIGN UNITS METRIC	
	10 OVER 30 UNDER	±0.25	CHECKED BY KTOJO		DATE '04/07/13		THIRD ANGLE PROJECTION	
	30 OVER	±0.3	APPROVED BY NUKITA		DATE '04/07/13		MOLEX INCORPORATED	
	ANGULAR ±3 °	DRAFT WHERE APPLICABLE MUST REMAIN WITHIN DIMENSIONS		MATERIAL NO. SEE TABLE		DOCUMENT NO. SD-52559-049		
				SIZE A3		THIS DRAWING CONTAINS INFORMATION THAT IS PROPRIETARY TO MOLEX INCORPORATED AND SHOULD NOT BE USED WITHOUT WRITTEN PERMISSION		

0.5 FPC CONN ASSY ZIF FOR SMT EMBSTP PKG -LEAD FREE-



SHEET NO. 3 OF 4

引き出し方向 PULL OUT DIRECTION



SECT.X-X

44mm幅キャリアテープ
44mm WIDTH CARRIER TAPE

44	49.4	45.4	22.4	25.3	52559-4052	40
キャリアテープ幅 CARRIER TAPE WIDTH	D	C	(B)	(A)	52559-3652	36
					MATERIAL NO.	CIRCUIT NO.

REVISED EC NO.: J2009-2061 DRWN:TKON 2009/05/20 CHKD:HMATSUMOTO 2009/05/21 APPR:NUKITA 2009/05/21	GENERAL TOLERANCES (UNLESS SPECIFIED)		DIMENSION STYLE MM ONLY		SCALE ---		52559-**-52 MODEL NO.	
	10 UNDER	±0.2	DRAWN BY MNABEI	DATE '04/07/13	TITLE 0.5 FPC CONN ASSY ZIF FOR SMT EMBSTP PKG -LEAD FREE-			
	10 OVER 30 UNDER	±0.25	CHECKED BY KTOJO	DATE '04/07/13				
	30 OVER	±0.3	APPROVED BY NUKITA	DATE '04/07/13	MOLEX INCORPORATED SD-52559-049			
ANGULAR ±3 °		MATERIAL NO. SEE TABLE		DOCUMENT NO.				
DRAFT WHERE APPLICABLE MUST REMAIN WITHIN DIMENSIONS		THIS DRAWING CONTAINS INFORMATION THAT IS PROPRIETARY TO MOLEX INCORPORATED AND SHOULD NOT BE USED WITHOUT WRITTEN PERMISSION						