

**PLEASE CHECK WWW.MOLEX.COM FOR LATEST PART INFORMATION**

**Part Number:** **0194360213**  
**Status:** **Active**  
**Overview:** mx150l sealed connector system  
**Description:** MX150L™ 2 Circuit Rear Mount Flange Sealed Panel Mount Plug for 10-12 AWG Wire, with Gasket

**Documents:**

[3D Model](#) [Product Specification PS-19432-001 \(PDF\)](#)  
[Drawing \(PDF\)](#) [RoHS Certificate of Compliance \(PDF\)](#)

**General**

Product Family	Crimp Housings
Series	<u>19436</u>
Comments	Mat Seal Color Yellow, Polarized to Mating Part
Overview	<u>mx150l sealed connector system</u>
Product Literature Order No	987650-2181
Product Name	MX150L™

**Physical**

Circuits (maximum)	2
Circuits Detail	1x1
Gender	Plug
Glow-Wire Compliant	No
Keying to Mating Part	N/A
Lock to Mating Part	Yes
Number of Rows	1
Packaging Type	Bag
Panel Mount	Yes
Pitch - Mating Interface (in)	0.300 In
Pitch - Mating Interface (mm)	7.62 mm
Pitch - Term. Interface (in)	0.300 In
Pitch - Term. Interface (mm)	7.62 mm
Polarized to Mating Part	No
Ports	1
Stackable	No
Temperature Range - Operating	-40°C to +125°C

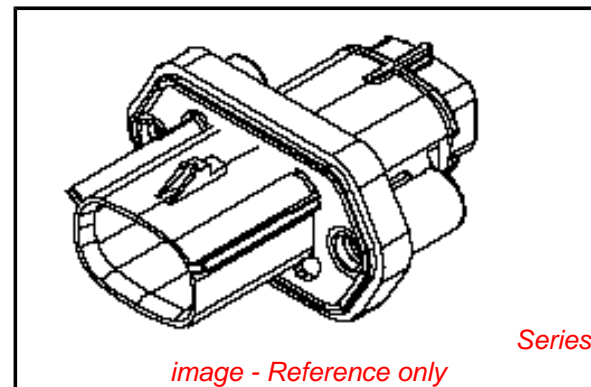
**Electrical**

Current - Maximum per Contact	40A
-------------------------------	-----

**Material Info**

**Reference - Drawing Numbers**

Packaging Specification	PK-19436-001
Product Specification	PS-19432-001
Sales Drawing	SD-19436-001



**EU RoHS**

**ELV and RoHS  
Compliant**  
**REACH SVHC  
Not Reviewed**  
**Halogen-Free  
Status**

**China RoHS**



**Need more information on product  
environmental compliance?**

Email [productcompliance@molex.com](mailto:productcompliance@molex.com)  
For a multiple part number RoHS Certificate of Compliance, [click here](#)

Please visit the [Contact Us](#) section for any non-product compliance questions.

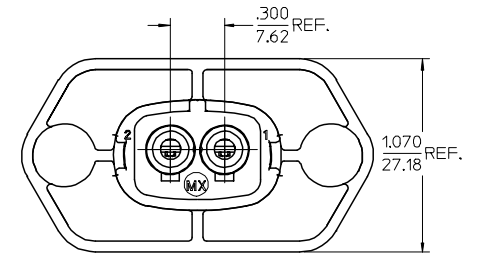
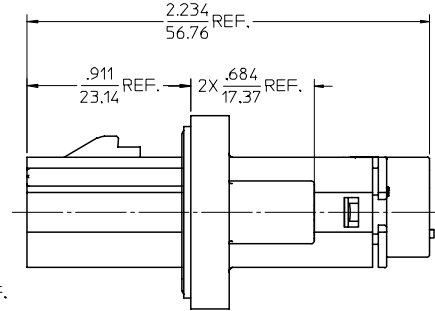
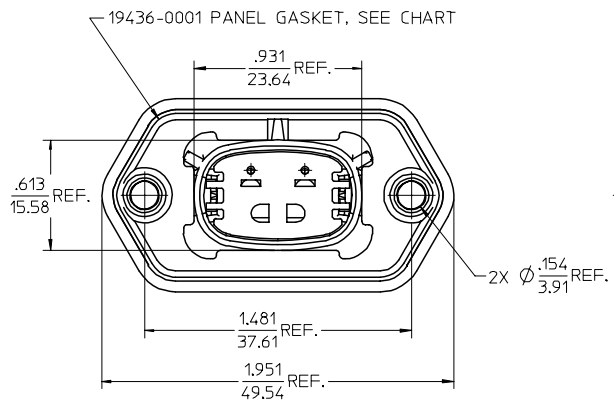
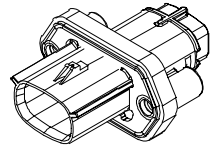
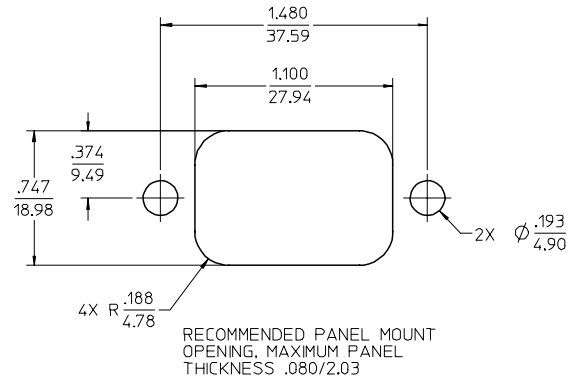
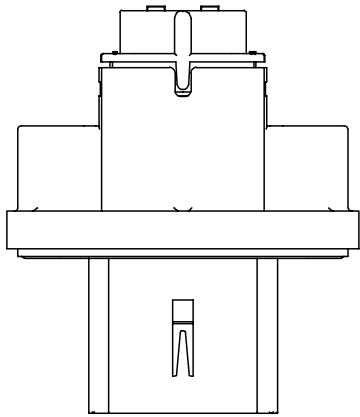
**Search Parts in this Series**

[19436Series](#)

**Mates With**

[19432 Receptacle](#)

**Use With**



- NOTES:
- MATERIALS: HOUSING: POLYESTER (PBT), GLASS FILLED, UL94 V-0, COLOR: BLACK.
  - PRODUCT SPECIFICATION: TBD.
  - PACKAGING SPECIFICATION: PK-19436-001.
  - USE WITH MALE CRIMP TERMINAL SERIES 19431.
  - MATES WITH 19432 SERIES RECEPTACLE ASSEMBLIES.
  - RECOMMENDED MOUNTING HARDWARE: (2)#10 X .62/18.9 LONG PLASTIC THREAD CUTTING SCREWS. RECOMMENDED TORQUE 15-17 IN.-LBS. SUGGESTED SOURCE: ITW SHAKEPROOF INDUSTRIAL BOSSCREW OR EQUIVALENT.
  - ASSEMBLY IS ROHS COMPLIANT.

19436-0214	8	YES
19436-0213	12-10	YES
19436-0212	8	NO
19436-0211	12-10	NO
MATERIAL NUMBER	WIRE AWG	PANEL GASKET

<b>RVSD NOTES 3 &amp; 5.</b> EC NO: ETC2008-0085 DRAWN: JPWLICK 2007/09/21 CHKCD: JPWLICK 2007/09/21 APPR: JPWLICK 2007/09/21	QUALITY SYMBOLS ▽=0 ▽=0	GENERAL TOLERANCES (UNLESS SPECIFIED)		DIMENSION STYLE IN/MM		SCALE 2:1	DESIGN UNITS INCH	THIRD ANGLE PROJECTION	
		4 PLACES ± --- ± ---	mm INCH	DRAWN BY JPWLICK	DATE 01/08/07	TITLE 2 WAY SEALED PLUG PANEL MOUNT ASSEMBLY, 12-10 & 8 AWG			
		3 PLACES ± --- ± .015		CHECKED BY JPWLICK	DATE 01/09/07	MOLEX INCORPORATED			
		2 PLACES ± 0.38 ± --- 1 PLACE ± --- ± --- ANGULAR ± 1 °		APPROVED BY JPWLICK	DATE 01/10/07	MATERIAL NO. SD-19436-001	DOCUMENT NO.	SHEET NO. 1 OF 1	
DRAFT WHERE APPLICABLE MUST REMAIN WITHIN DIMENSIONS		SEE CHART		THIS DRAWING CONTAINS INFORMATION THAT IS PROPRIETARY TO MOLEX INCORPORATED AND SHOULD NOT BE USED WITHOUT WRITTEN PERMISSION					