

PLEASE CHECK WWW.MOLEX.COM FOR LATEST PART INFORMATION

Part Number: [0194360411](#)
Status: **Active**
Overview: [mx150l sealed connector system](#)
Description: MX150L™ 4 Circuit Rear Mount Flange Sealed Panel Mount Plug for 10-12 AWG Wire, with Gasket

Documents:

[3D Model](#) [Product Specification PS-19432-001 \(PDF\)](#)
[Drawing \(PDF\)](#) [RoHS Certificate of Compliance \(PDF\)](#)

General

Product Family	Crimp Housings
Series	19436
Comments	Mat Seal Color Yellow, Polarized to Mating Part
Overview	mx150l sealed connector system
Product Literature Order No	987650-2181
Product Name	MX150L™

Physical

Circuits (maximum)	4
Circuits Detail	2x2
Gender	Plug
Glow-Wire Compliant	No
Keying to Mating Part	N/A
Lock to Mating Part	Yes
Number of Rows	2
Packaging Type	Bag
Panel Mount	Yes
Pitch - Mating Interface (in)	0.300 In
Pitch - Mating Interface (mm)	7.62 mm
Pitch - Term. Interface (in)	0.300 In
Pitch - Term. Interface (mm)	7.62 mm
Polarized to Mating Part	No
Ports	1
Stackable	No
Temperature Range - Operating	-40°C to +125°C

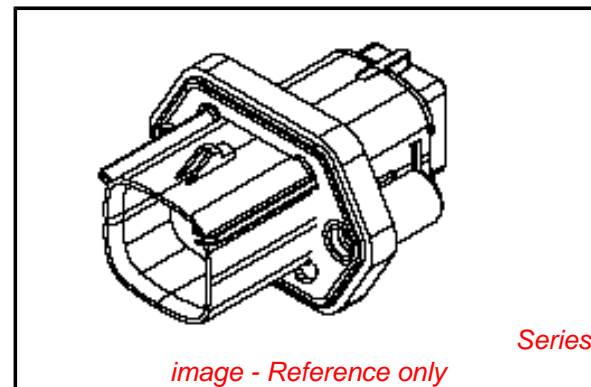
Electrical

Current - Maximum per Contact	40A
-------------------------------	-----

Material Info

Reference - Drawing Numbers

Packaging Specification	PK-19436-001
Product Specification	PS-19432-001
Sales Drawing	SD-19436-002



EU RoHS

ELV and RoHS Compliant
REACH SVHC
 Not Reviewed
Halogen-Free Status

China RoHS



Not Reviewed

Need more information on product environmental compliance?

Email productcompliance@molex.com
 For a multiple part number RoHS Certificate of Compliance, [click here](#)

Please visit the [Contact Us](#) section for any non-product compliance questions.

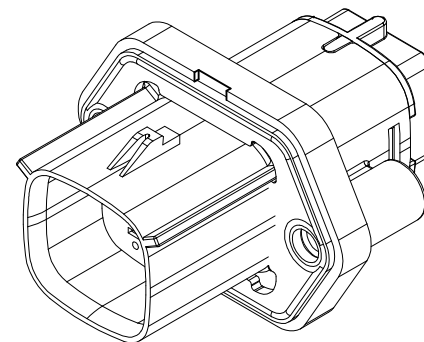
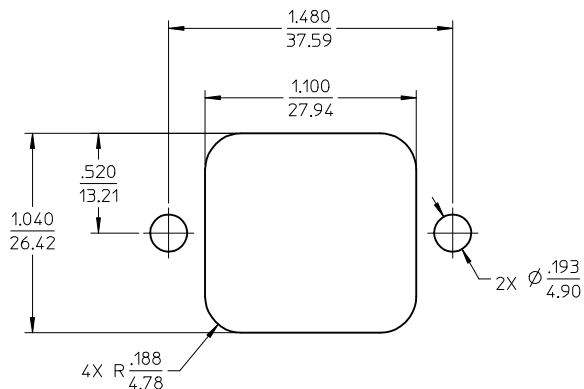
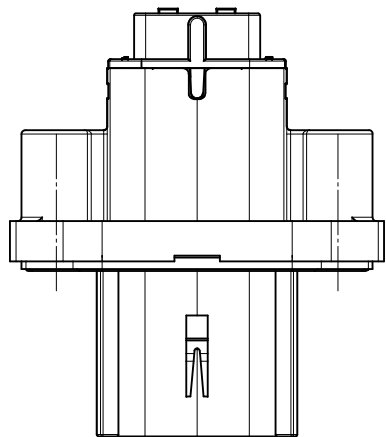
Search Parts in this Series

[19436Series](#)

Mates With

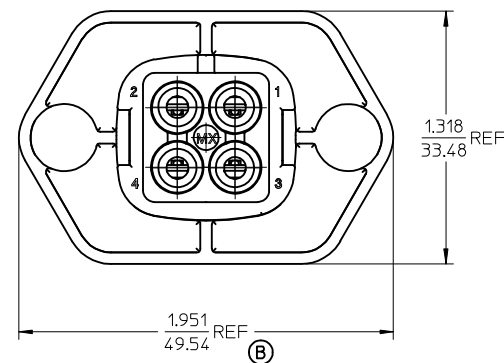
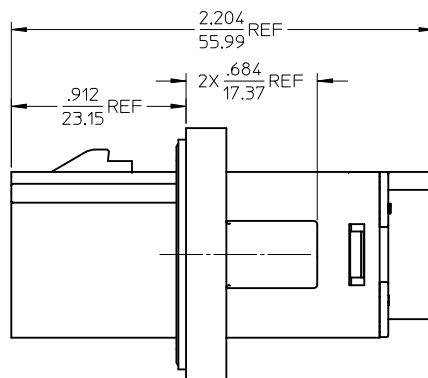
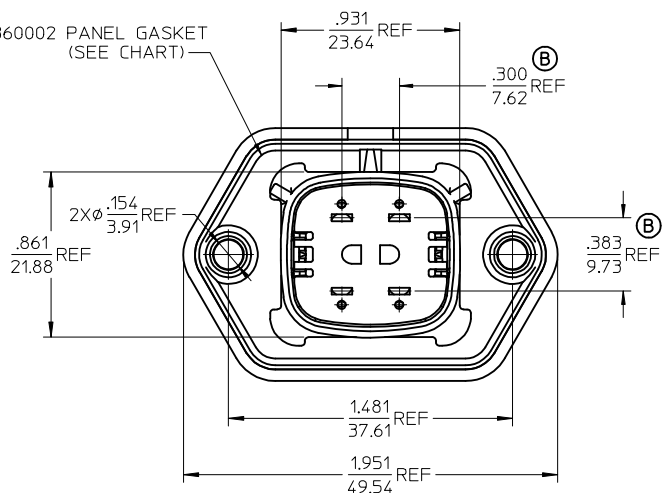
[19432 Receptacle](#)

Use With



RECOMMENDED PANEL MOUNT
OPENING, MAXIMUM PANEL
THICKNESS .080/2.03

194360002 PANEL GASKET
(SEE CHART)



NOTES:

- MATERIALS:
HOUSING: POLYESTER (PBT), GLASS FILLED, UL94 V-0. COLOR: BLACK.
GASKET MATERIAL: SILICONE RUBBER. COLOR: BLACK
- PRODUCT SPECIFICATION: PS-19432-001
- PACKAGING SPECIFICATION: PK-19436-001.
- USE WITH MALE CRIMP TERMINAL SERIES 19431.
- MATES WITH 19432 SERIES RECEPTACLE ASSEMBLIES.
- RECOMMENDED MOUNTING HARDWARE: (2) #10 X .62/18.9 LONG PLASTIC THREAD CUTTING SCREWS. RECOMMENDED TORQUE 15-17 IN-LBS. SUGGESTED SOURCE: ITW SHAKEPROOF INDUSTRIAL BOSSCREW OR EQUIVALENT.
- ASSEMBLY IS ROHS COMPLIANT.

19436-0414	8	NO
19436-0413	12-10	
19436-0412	8	YES
19436-0411	12-10	
MATERIAL NUMBER	WIRE AWG	PANEL GASKET

RVSD NOTES & UPDATED DIMS EC NO: MNA2010-0278 DRAWN BY: 2009/10/13 CHKD: DTITUS 2009/10/22 APPR: DTITUS 2009/10/22	QUALITY SYMBOLS ▽=0 ▽=0	GENERAL TOLERANCES (UNLESS SPECIFIED)		DIMENSION STYLE IN/MM		SCALE 2:1		DESIGN UNITS INCH		THIRD ANGLE PROJECTION		
				mm	INCH	DRAWN BY	DATE	TITLE				
		4 PLACES ± --- ± ---				DMYRICK	2007/4/23	4 WAY SEALED PLUG PANEL MOUNT ASSEMBLY, 12-10 & 8 AWG				
		3 PLACES ± --- ± .015				CHECKED BY	DATE					
2 PLACES ± 0.38 ± ---				JPAWLICKI	2007/4/23	MOLEX INCORPORATED						
1 PLACE ± --- ± ---				APPROVED BY	DATE							
		ANGULAR ± 1°		DTITUS	2009/10/22	SEE CHART		DOCUMENT NO.		SHEET NO.		
DRAFT WHERE APPLICABLE MUST REMAIN WITHIN DIMENSIONS				MATERIAL NO.		SD-19436-002		1 OF 1		THIS DRAWING CONTAINS INFORMATION THAT IS PROPRIETARY TO MOLEX INCORPORATED AND SHOULD NOT BE USED WITHOUT WRITTEN PERMISSION		