

PLEASE CHECK WWW.MOLEX.COM FOR LATEST PART INFORMATION

Part Number: [0211000015](#)
Status: **Active**
Overview: [premo flex](#)
Description: 2.54mm (.100") FFC Jumper, 8 Circuits, 152.40m (500.0') Length

Documents:

[Drawing \(PDF\)](#) [RoHS Certificate of Compliance \(PDF\)](#)

General

Product Family	Cable
Series	21100
Crimp Quality Equipment	Yes
Geographic Area	Americas
Overview	premo flex
Product Name	Premo-Flex™FFC Jumper

Physical

Cable Length	152.40m (500.0')
Circuits (Loaded)	N/A
Circuits (maximum)	8
Packaging Type	Bag
Pitch - Term. Interface (in)	0.000 In
Pitch - Term. Interface (mm)	0.00 mm
Temperature Range - Operating	N/A
Wire Size AWG	N/A
Wire/Cable Type	Flat Flex Cable

Electrical

Current - Maximum per Contact	N/A
Voltage - Maximum	N/A

Material Info

Reference - Drawing Numbers

Sales Drawing	21100-0015
---------------	------------



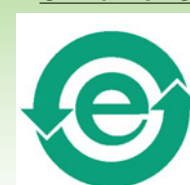
image - Reference only

Series

EU RoHS

**ELV and RoHS
Compliant**
**REACH SVHC
Not Reviewed**
**Halogen-Free
Status**

China RoHS



**Need more information on product
environmental compliance?**

Email productcompliance@molex.com
 For a multiple part number RoHS Certificate of Compliance, [click here](#)

Please visit the [Contact Us](#) section for any non-product compliance questions.

Search Parts in this Series

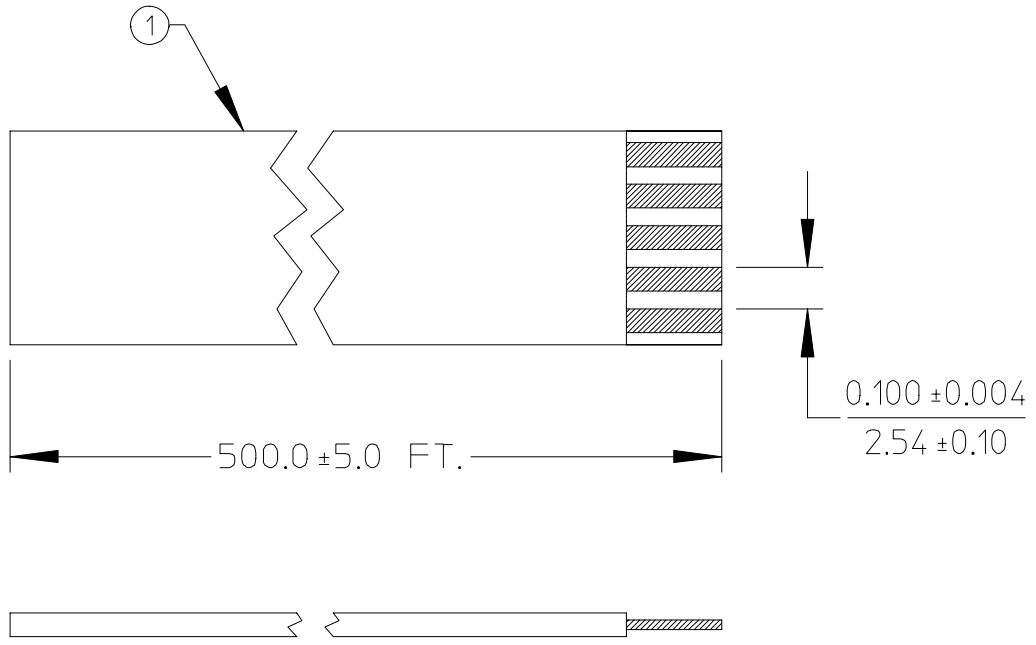
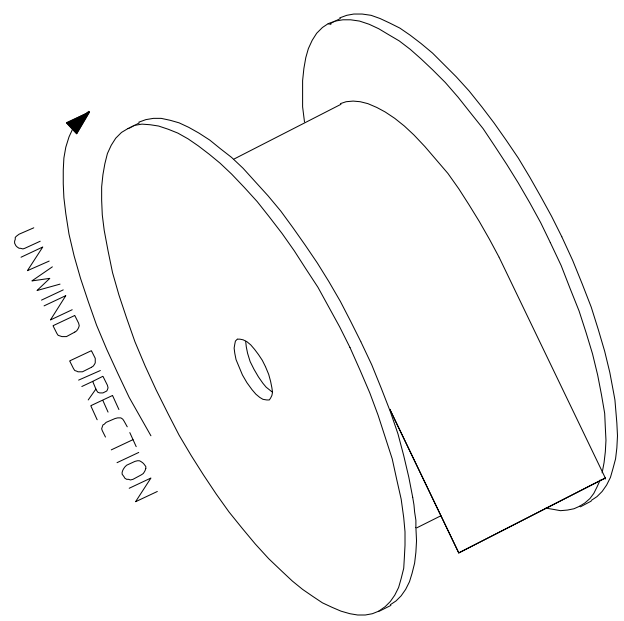
[21100Series](#)

Use With

Any 2.54mm (.100") Pitch Molex FFC/FPC connector, Custom specific developed FFC connectors

21100

ITEM	DESCRIPTION	P/N	QTY	CKT. SIZE	TEMP. RATING
①	CABLE	21100-0015	500 FT.	8	L



NOTE:
1. NO PRINTING TO BE ALLOWED ON CABLE.

REF. PRODUCT SPEC. NO. SMPS-21100

EC NO: UAU2004-0293 DRWN: DDEMO 2004/03/15 CHK: TPremo APPR: GPRATT 2004/03/15	QUALITY SYMBOLS ▴ = 0 ▽ = 0	GENERAL TOLERANCES (UNLESS SPECIFIED)		SCALE 1:1	DESIGN UNITS INCH	THIRD ANGLE PROJECTION	REVISE ON CAD ONLY			
			mm	INCH	DIMENSION STYLE IN/MM		TITLE			
		4 PLACES	± ---	± ---	DRAWN BY DDEMO	DATE 03/10/17	2.54MM FFC JUMPER CABLE TYPE "REEL 500 FT." PDR UAU-001193-00-00			
		3 PLACES	± ---	± .005	CHECKED BY TPremo	DATE 03/11/07	MOLEX INCORPORATED			
			2 PLACES	± 0.13	± .010	APPROVED BY RMACK	DATE 03/11/07	MATERIAL NO. 21100-0015	DOCUMENT NO. 21100-0015	SHEET NO. 1 OF 1
			1 PLACE	± 0.25	± ---	THIS DRAWING CONTAINS INFORMATION THAT IS PROPRIETARY TO MOLEX INCORPORATED AND SHOULD NOT BE USED WITHOUT WRITTEN PERMISSION				
			ANGULAR ± 1/2 °							
			DRAFT WHERE APPLICABLE MUST REMAIN WITHIN DIMENSIONS							

