

**PLEASE CHECK WWW.MOLEX.COM FOR LATEST PART INFORMATION**

**Part Number:** [0082264417](#)  
**Status:** **Active**  
**Description:** 2.00mm (.079") Pitch Round Conductor Flat Cable - 26 AWG (7 x 34) Stranded, Topcoat, 17 Circuits, Reel 30.48m (100.0' ) Length

**Documents:**

[Drawing \(PDF\)](#) [RoHS Certificate of Compliance \(PDF\)](#)

**Agency Certification**

CSA LR61126  
 UL E61522

**General**

Product Family Cable  
 Series [24462](#)  
 Crimp Quality Equipment Yes  
 Geographic Area Asia  
 Product Name Ribbon

**Physical**

Cable Length 30.48m (100.0' )  
 Circuits (Loaded) 17  
 Insulation PVC  
 Packaging Type Reel  
 Pitch - Term. Interface (in) 0.079 In  
 Pitch - Term. Interface (mm) 2.00 mm  
 Temperature Range - Operating -20°C to +105°C  
 Wire Size AWG 26  
 Wire/Cable Type (7x34) Stranded, Topcoat

**Electrical**

Current - Maximum per Contact N/A  
 Voltage - Maximum 300V

**Material Info**

Old Part Number 24462-17-100B

**Reference - Drawing Numbers**

Sales Drawing SD-24462-001



**EU RoHS**

**ELV and RoHS  
 Compliant  
 REACH SVHC  
 Not Reviewed  
 Halogen-Free  
 Status  
 Not Reviewed**

**China RoHS**



**Need more information on product environmental compliance?**

Email [productcompliance@molex.com](mailto:productcompliance@molex.com)  
 For a multiple part number RoHS Certificate of Compliance, [click here](#)

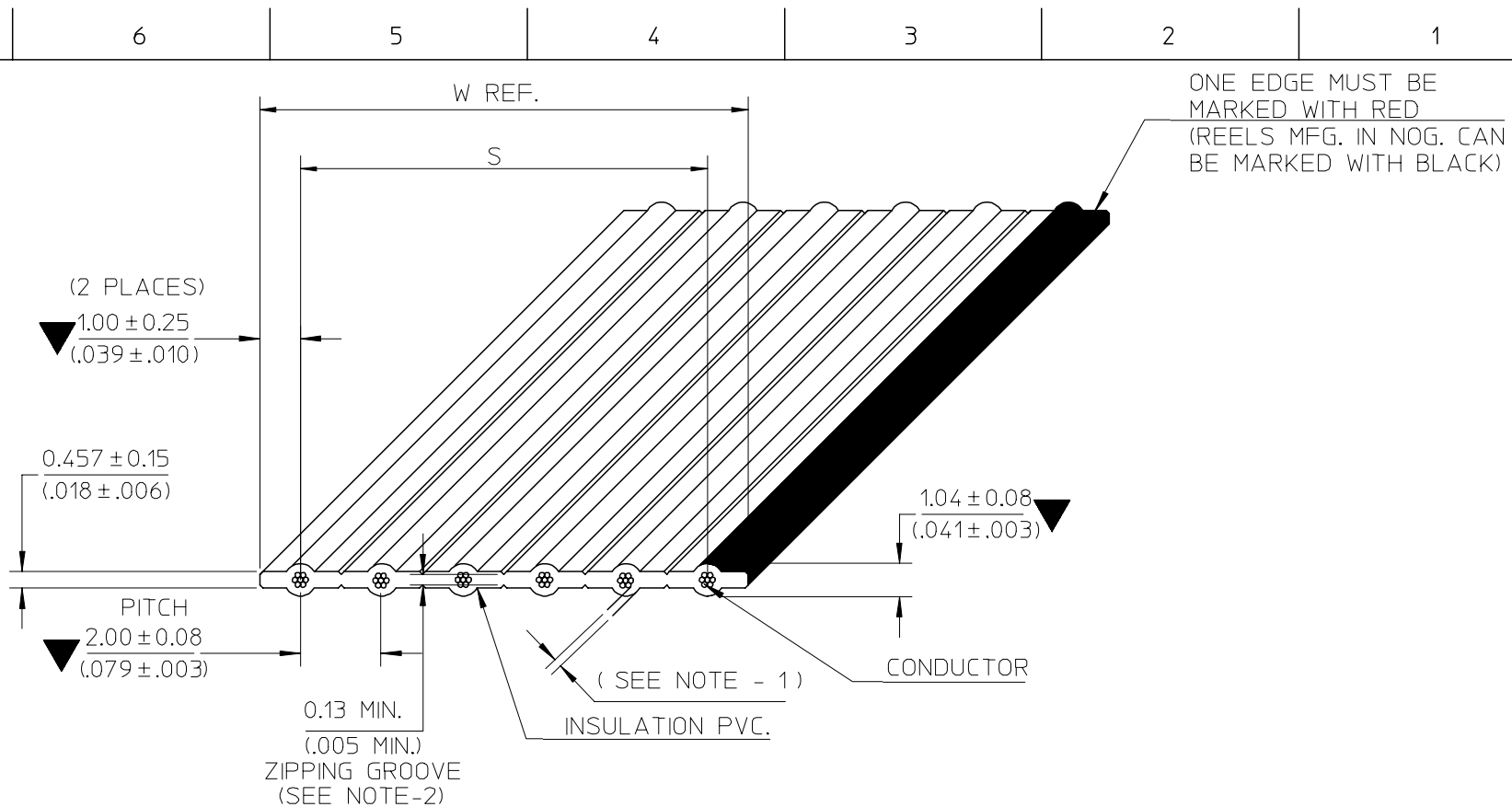
Please visit the [Contact Us](#) section for any non-product compliance questions.

**Search Parts in this Series**

[24462Series](#)

**Use With**

[52484](#) Wire-to-Board, IDT Receptacle Housing



- NOTE :
1. THE CABLE SHALL HAVE A MINIMUM OF 0.178mm. (.007") THICKNESS INSULATION AT ANY POINT
  2. RIP TEST:
    - THE 0.13mm. (.005") ZIPPING GROOVE SHALL BE CAPABLE OF BEING RIPPED BY HAND WITHIN THE RECESS, WITHOUT EXPOSING THE ADJACENT CONDUCTORS
  3. RoHS AND LEAD FREE COMPLIANT
  4. SPECIAL REQUIREMENT: N/A

B	E-07-0748	B <sub>2</sub> : ADD NON-OPERATING TEMP. B <sub>1</sub> : ADD SOLDERING CONDITION	07/10/01
A	N/A	NEW RELEASE	06/07/18
REV. HISTORY	EC NO.	DETAIL	DATE

SEE CHANGE DETAIL  
 EC NO: THL2008-0015  
 DRWN: CPANSAKHOM 2007/11/28  
 CHKD: DNARINTARA 2007/11/29  
 APPR: SVIRATJAPOL 2007/12/04

QUALITY SYMBOLS
▽=3
∇=0
DESCRIPTION
REV

GENERAL TOLERANCES (UNLESS SPECIFIED)	
	mm INCH
4 PLACES	± --- ± ---
3 PLACES	± --- ± ---
2 PLACES	± --- ± ---
1 PLACE	± --- ± ---
ANGULAR ± --- °	
DRAFT WHERE APPLICABLE MUST REMAIN WITHIN DIMENSIONS	

DIMENSION STYLE	
MM/IN	
DRAWN BY	DATE
CPANSAKHOM	2006/07/18
CHECKED BY	DATE
PMEECHAI	2006/07/18
APPROVED BY	DATE
SVIRATJAPOL	2006/07/18
MATERIAL NO.	
SEE CHART	
SIZE	
A 4	

SCALE	DESIGN UNITS	THIRD ANGLE PROJECTION
NTS	METRIC	
TITLE		
FCB ROUND CONDUCTOR 2.00MM(.079)CENTER PVC. 26AWG STRANDED TOPCOATED		
MOLEX INCORPORATED		
MATERIAL NO.	DOCUMENT NO.	SHEET NO.
SEE CHART	SD-24462-001	1 OF 3
THIS DRAWING CONTAINS INFORMATION THAT IS PROPRIETARY TO MOLEX INCORPORATED AND SHOULD NOT BE USED WITHOUT WRITTEN PERMISSION		

SPECIFICATIONS

PHYSICAL

CONDUCTOR SPACING ----- 2.00(0.79")  $\phi$  TO  $\phi$   
 WIRE GAUGE ----- 26 AWG(7/34) STRANDED TOPCOATED  
 INSULATION ----- P.V.C GRAY (LEAD FREE)

AGENCY

U.L. STYLE NO. ----- 2651  
 TEMPERATURE RATING ----- -20°C TO 105°C  
 VOLTAGE RATING ----- 300V.MAX.  
 FLAMMABILITY RATING ----- VW-1

ELECTRICAL

CONDUCTOR RESISTANCE (D.C.) ----- 35m OHMS/FT. MAX.  
 CHARACTERISTIC IMPEDANCE ----- 166 OHMS NOM. (GS)  
 ----- 124 OHMS NOM. (GSG)  
 CAPACITANCE ----- 7.1 pF/FT. NOM. (GS)  
 ----- 11.0 pF/FT. NOM. (GSG)  
 PROPAGATION DELAY ----- 1.3 ns/FT. NOM.  
 INSULATION RESISTANCE ----- 10M OHMS (10FT. SAMPLE)  
 DIELECTRIC WITHSTAND VOLTAGE ----- 2000 VRMS/MINUTE

GENERAL

$\triangle B_1$  NON-OPERATING TEMPERATURE ----- -20°C TO 105°C  
 FAULTS AND/OR SPLICES ----- 1/REEL MAX. 100 $\pm 9$  FT. (30.48 $\pm 0.914$  M.)/REEL  
 20FT. (6.096M.) MIN. LENGTH

$\triangle B_1$  SOLDERING CONDITION

SOLDER TEMPERATURE ----- 260°C. MAX.  
 SOLDERING TIME ----- 3 SECOND, MAX.  
 INSULATION SHRINK ----- 2MM. NOM

SEE CHANGE DETAIL EC NO: THL2008-0015 DRWN: CPANSAKHOM 2007/11/28 CHKD: DNARINTARA 2007/11/29 APPR: SVIRATJAPOL 2007/12/04	DESCRIPTION REV	QUALITY SYMBOLS	GENERAL TOLERANCES (UNLESS SPECIFIED)		DIMENSION STYLE MM/IN		SCALE NTS	DESIGN UNITS METRIC	THIRD ANGLE PROJECTION		
		$\blacktriangledown =$ $\triangle C =$		mm	INCH	DRAWN BY	DATE	TITLE			
			4 PLACES	$\pm$ ---	$\pm$ ---	CPANSAKHOM	2006/07/18	FCB ROUND CONDUCTOR 2.00MM(0.79)CENTER PVC. 26AWG STRANDED TOPCOATED			
			3 PLACES	$\pm$ ---	$\pm$ ---	CHECKED BY	DATE				
2 PLACES	$\pm$ ---	$\pm$ ---	PMEECHA I	2006/07/18	MOLEX INCORPORATED						
1 PLACE	$\pm$ ---	$\pm$ ---	APPROVED BY	DATE							
		ANGULAR	$\pm$ ---	SVIRATJAPOL	2006/07/18	MATERIAL NO.	DOCUMENT NO.	SHEET NO.			
		DRAFT WHERE APPLICABLE MUST REMAIN WITHIN DIMENSIONS			SEE CHART		SD-24462-001		2 OF 3		
		SIZE	THIS DRAWING CONTAINS INFORMATION THAT IS PROPRIETARY TO MOLEX INCORPORATED AND SHOULD NOT BE USED WITHOUT WRITTEN PERMISSION								

CHART "A"						SHIPPED ON 100FT. REELS	
DIMENSION MM (INCHES)						ENGINEERING NO.	ORDER NO.
ENG. NO	NO OF COND.	DIMENSION S		DIM "W" REF.			
24462-02	2	2.00±.080	(.079±.003)	4.00 (.157)	24462-02-100B	82-26-4402	
24462-03	3	4.00±.230	(.157±.009)	6.00 (.236)	↑ -03- ↑	↑ 03 ↑	
24462-04	4	6.00±.230	(.236±.009)	8.00 (.315)	↑ -04- ↑	↑ 04 ↑	
24462-05	5	8.00±.280	(.315±.011)	10.00 (.394)	↑ -05- ↑	↑ 05 ↑	
24462-06	6	10.00±.280	(.394±.011)	12.00 (.472)	↑ -06- ↑	↑ 06 ↑	
24462-07	7	12.00±.280	(.472±.011)	14.00 (.551)	↑ -07- ↑	↑ 07 ↑	
24462-08	8	14.00±.280	(.551±.011)	16.00 (.630)	↑ -08- ↑	↑ 08 ↑	
24462-09	9	16.00±.280	(.630±.011)	18.00 (.709)	↑ -09- ↑	↑ 09 ↑	
24462-10	10	18.00±.280	(.709±.011)	20.00 (.787)	↑ -10- ↑	↑ 10 ↑	
24462-11	11	20.00±.280	(.787±.011)	22.00 (.866)	↑ -11- ↑	↑ 11 ↑	
24462-12	12	22.00±.280	(.866±.011)	24.00 (.945)	↑ -12- ↑	↑ 12 ↑	
24462-13	13	24.00±.280	(.945±.011)	26.00 (1.024)	↑ -13- ↑	↑ 13 ↑	
24462-14	14	26.00±.280	(1.024±.011)	28.00 (1.102)	↑ -14- ↑	↑ 14 ↑	
24462-15	15	28.00±.280	(1.102±.011)	30.00 (1.181)	↑ -15- ↑	↑ 15 ↑	
24462-16	16	30.00±.280	(1.181±.011)	32.00 (1.260)	↑ -16- ↑	↑ 16 ↑	
24462-17	17	32.00±.280	(1.260±.011)	34.00 (1.339)	↑ -17- ↑	↑ 17 ↑	
24462-18	18	34.00±.280	(1.339±.011)	36.00 (1.417)	↑ -18- ↑	↑ 18 ↑	
24462-19	19	36.00±.280	(1.417±.011)	38.00 (1.496)	↑ -19- ↑	↑ 19 ↑	
24462-20	20	38.00±.280	(1.496±.011)	40.00 (1.575)	↑ -20- ↑	↑ 20 ↑	
24462-21	21	40.00±.280	(1.575±.011)	42.00 (1.654)	↑ -21- ↑	↑ 21 ↑	
24462-22	22	42.00±.280	(1.654±.011)	44.00 (1.732)	↑ -22- ↑	↑ 22 ↑	
24462-23	23	44.00±.280	(1.732±.011)	46.00 (1.811)	↑ -23- ↑	↑ 23 ↑	
24462-24	24	46.00±.280	(1.811±.011)	48.00 (1.890)	↑ -24- ↑	↑ 24 ↑	
24462-25	25	48.00±.280	(1.890±.011)	50.00 (1.969)	↑ -25- ↑	↑ 25 ↑	
24462-26	26	50.00±.280	(1.969±.011)	52.00 (2.047)	↑ -26- ↑	↑ 26 ↑	
24462-27	27	52.00±.280	(2.047±.011)	54.00 (2.126)	↑ -27- ↑	↑ 27 ↑	
24462-28	28	54.00±.280	(2.126±.011)	56.00 (2.205)	24462-28-100B	82-26-4428	

ENGINEERING NO.

24462-XX-XXXX

A B C D

A : CABLE 2.00mm. (.079") CENTERS 26 AWG STRANDED TOPCOATED

B : CONDUCTOR SIZE ( AVAILABILITY 2 THROUGH 28 )

C : CABLE LENGTH 100FT. (30.48M)

D : A = INCHES

B = FEET

SEE CHANGE DETAIL EC NO: THL2008-0015 DRWN: CPANSAKHOM 2007/11/28 CHKD: DNARINTARA 2007/11/29 APPR: SVIRATJAPOL 2007/12/04	DESCRIPTION REV	QUALITY SYMBOLS	GENERAL TOLERANCES (UNLESS SPECIFIED)		DIMENSION STYLE MM/IN		SCALE NTS	DESIGN UNITS METRIC	THIRD ANGLE PROJECTION		
		 = =	mm	INCH	DRAWN BY CPANSAKHOM	DATE 2006/07/18	TITLE FCB ROUND CONDUCTOR 2.00MM(.079)CENTER PVC. 26AWG STRANDED TOPCOATED				
			4 PLACES	± ---	± ---	CHECKED BY PMEECHAI	DATE 2006/07/18	MOLEX INCORPORATED			
			3 PLACES	± ---	± ---	APPROVED BY SVIRATJAPOL	DATE 2006/07/18	MATERIAL NO. SEE CHART	DOCUMENT NO. SD-24462-001	SHEET NO. 3 OF 3	
		2 PLACES	± ---	± ---	DRAFT WHERE APPLICABLE MUST REMAIN WITHIN DIMENSIONS						
		1 PLACE	± ---	± ---	THIS DRAWING CONTAINS INFORMATION THAT IS PROPRIETARY TO MOLEX INCORPORATED AND SHOULD NOT BE USED WITHOUT WRITTEN PERMISSION						
		ANGULAR ± ---°									