

PLEASE CHECK WWW.MOLEX.COM FOR LATEST PART INFORMATION

Part Number: [0505168041](#)
Status: **Active**
Description: 1.25mm (.049") Pitch Pico-Gold™ Crimp Terminal, Reel

Documents:

[Drawing \(PDF\)](#) [RoHS Certificate of Compliance \(PDF\)](#)
[Product Specification PS-51127-002 \(PDF\)](#)

General

Product Family Crimp Terminals
 Series [50516](#)
 Crimp Quality Equipment Yes
 Product Name Pico-Gold™

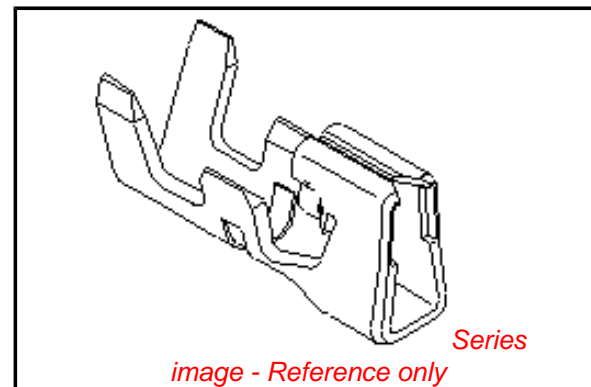
Physical

Gender Female
 Material - Metal Phosphor Bronze
 Material - Plating Mating Gold
 Material - Plating Termination Gold
 Packaging Type Reel
 Plating min: Mating (µin) 8
 Plating min: Mating (µm) 0.2
 Plating min: Termination (µin) 8
 Plating min: Termination (µm) 0.2
 Wire Insulation Diameter 0.50-1.00mm (.020-.039")
 Wire Size AWG 28, 30, 32
 Wire Size mm² N/A

Material Info

Reference - Drawing Numbers

Product Specification PS-51127-002, RPS-51127-001, RPS-51127-003,
 RPS-51127-004
 Sales Drawing SD-50516-****



EU RoHS

**ELV and RoHS
 Compliant**
REACH SVHC
 Not Reviewed
**Halogen-Free
 Status**
Not Reviewed

China RoHS



**Need more information on product
 environmental compliance?**

Email productcompliance@molex.com
 For a multiple part number RoHS Certificate of
 Compliance, [click here](#)

Please visit the [Contact Us](#) section for any
 non-product compliance questions.

Search Parts in this Series

[50516Series](#)

Use With

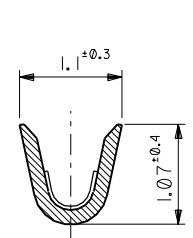
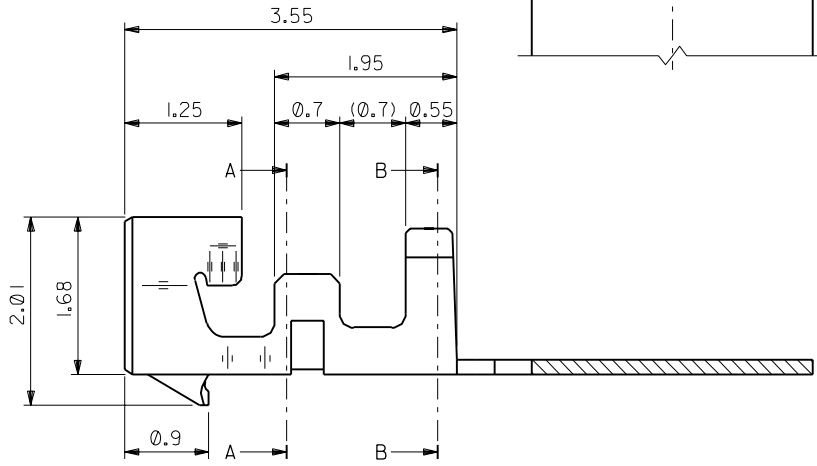
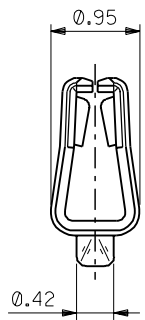
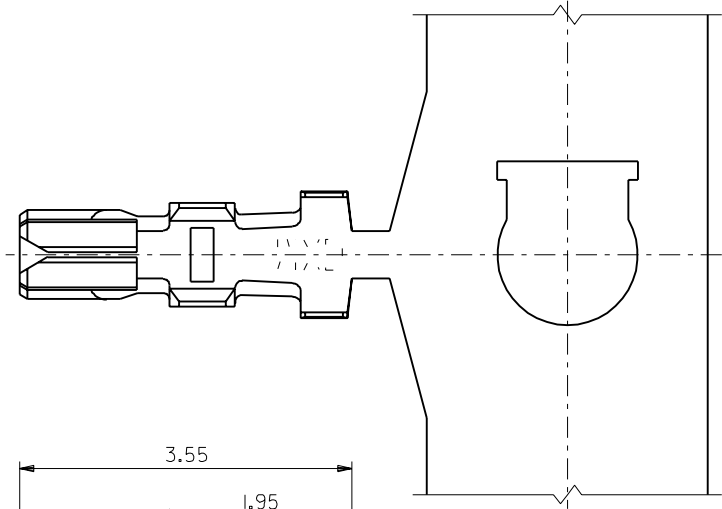
[51127 Crimp Housing](#)

Application Tooling | FAQ

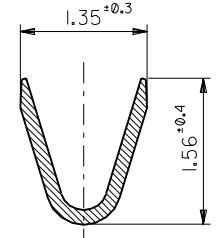
*Tooling specifications and manuals are
 found by selecting the products below.
 Crimp Height Specifications are then
 contained in the Application Tooling
 Specification document.*

Global

| Description | Product # |
|---|--|
| Extractor Tool for 1.25mm (.049") Pitch Pico-Gold™ Wire-to-Board Crimp Terminal | 0638133400 |
| Hand Crimp Tool, UL Approved FineAdjust™ Applicator | 0638117900 0639004300 |



SECT. A-A
(SCALE 20:1)



SECT. B-B
(SCALE 20:1)

注記 NOTES

- 1 適合ハウジング : 51127 シリーズ
APPLICABLE HOUSING : 51127 SERIES.
- 2 材質
MATERIAL
リン青銅 (t=0.152)
PHOSPHOR BRONZE (t=0.152)
- 3 メッキ仕様
PLATING
金メッキ 0.2 μmMIN. (ニッケル下地 2.0 μmMIN.)
Au 0.2 μmMIN., Ni (UNDER) 2.0 μmMIN.

| 角度 ANGLE | ±3° | | | | |
|-------------------------|-------|--------|----------------------|----------|---------|
| 30°以上 OVER | +0.3 | | | | |
| 10°以上 30°未満 UNDER | +0.25 | A | 変更 (J40641) | M.F. | 94/8/3 |
| 10°未満 UNDER | +0.2 | 0 | 新規作成 (J40269) | M.F. | 94/4/5 |
| 一般公差 GENERAL TOLERANCES | | 記号 LTR | 変更内容 REVISION RECORD | DR. CHK. | 日付 DATE |

| | |
|-------------------|-------------------|
| 材料 MATERIAL | 注記参照 SEE NOTES |
| 仕上げ FINISH | 注記参照 SEE NOTES |
| 適用電線範囲 WIRE RANGE | AWG #28~#32 |
| 被覆外径 INS. RANGE | 0.5~1.0 |
| DRAWN BY '94/4/4 | CHK'D BY '94/8/3 |
| M.FUJIKURA | S.KUNISHI |
| APP'D BY '94/8/3 | 尺度 SCALE 10 : 1 |
| M.FUKUSHIMA | |

| | |
|---|-----------|
| 50516-8041 | 連続状 CHAIN |
| ENG. NO. | 端子形状 FORM |
| MOLEX-JAPAN CO.,LTD. 日本モレックス株式会社 | |
| REVISE ONLY ON CAD SYSTEM | |
| TITLE 名称 | |
| 1.25 DUAL WIRE TO BOARD CONN. CRIMP RECEPTACLE | |
| DWG. NO. | REV |
| SD-50516-***** | A |