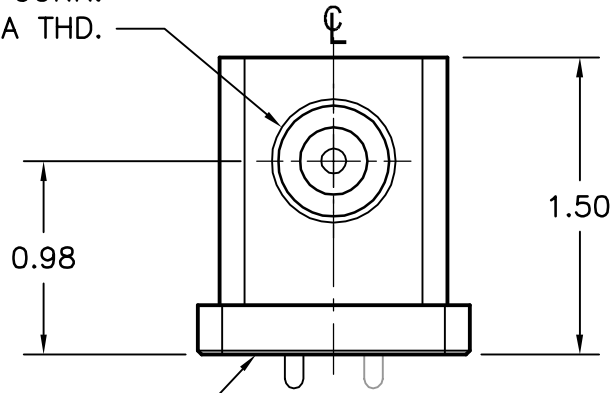
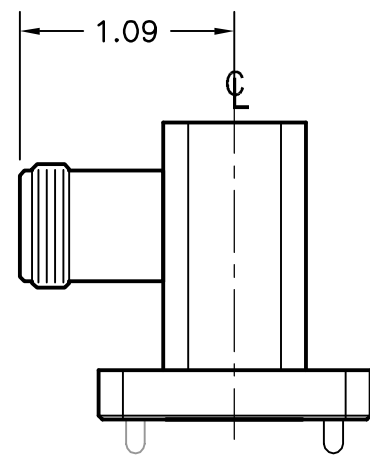


TYPE-N (F) CONN.  
5/8-24 UNEF-2A THD.



FLANGE AS PER ORDER  
(SEE TABLE)



PERFORMANCE SPECIFICATIONS

MODEL NUMBER: 580-253-FLANGE TYPE\*  
 WG SIZE: WRD580  
 FREQUENCY: 5.8 - 16.0 GHz  
 MAX. VSWR: 1.25  
 FLANGE TYPE: SEE TABLE BELOW

*FLANGE TYPES		
C1	COVER	ALT. THRU/TAPPED
C2	COVER	ALL TAPPED
C3	COVER	ALL THROUGH
G1	GROOVE	ALT. THRU/TAPPED
G2	GROOVE	ALL TAPPED
G3	GROOVE	ALL THROUGH

MATERIAL ALUM.	TREATMENT -	DRAWN R. LYNCH	DATE 6/24/04	
FINISH STD. ATM GRAY	MOD NO. 580-253-XX	CHECKED	DATE	
<b>OUTLINE, WRD580 WG-COAX ADAPTER, TYPE-N</b>		APPROVED	DATE	
		CAGE CODE: OR8N4	DO NOT SCALE DWG	
ADVANCED TECHNICAL MATERIALS, INC. 49 RIDER AVE., PATCHOGUE N.Y. 11772 TEL: (631) 289-0363 FAX: (631) 289-0358 <a href="http://www.atmmicrowave.com">http://www.atmmicrowave.com</a>		UNLESS OTHERWISE NOTED DIMENSIONS ARE IN INCHES TOLERANCES ARE:	FRACTIONS ±1/64 DECIMALS ±.01 ANGLES ±1/2°	SHEET. 1/1
PROPRIETARY NOTICE: THE INFORMATION IN THIS DRAWING IS PROPRIETARY AND SHALL NOT BE USED OR DISCLOSED WITHOUT THE PRIOR WRITTEN CONSENT OF ATM, INC.			SCALE 1 : 1 DWG. NO. 2162W	REV. -