

## Product Specification

### RoHS Compliant 40km Extended Reach GBIC Transceiver

#### FTL-1419-3D

#### Product Features

- Up to 1.25Gb/s bi-directional data links
- 1310nm DFB laser transmitter
- Digital Diagnostics
- Extended operating temperature range (0°C to +70°C)
- Compatible with 3.3 & 5V systems
- Hot-pluggable (complies with GBIC specification Rev. 5.5)
- Fully metallic enclosure for low EMI
- Low power dissipation
- RoHS compliant and Lead Free



#### Applications

- 1.0625 Gb/s Fibre Channel
- 1.25 Gb/s Ethernet

Finisar's FTL-1419-3D 1310nm Extended GBIC transceivers have a maximum fiber length of 40km and comply with GBIC Specification Revision 5.5<sup>1</sup>. They are compatible with Gigabit Ethernet as specified in IEEE 802.3<sup>2</sup>, Fibre Channel FC-PH, PH2, PH3<sup>3</sup> and FC-PI-2 Rev. 10.0<sup>4</sup>. They are RoHS-6 compliant per Directive 2002/95/EC<sup>5</sup> and Finisar Application Note AN-2038<sup>9</sup>.

**I. Pin Out**

<b>Pin Name</b>	<b>Pin #</b>	<b>Sequence</b>
RX_LOS	1	2
GND	2	2
GND	3	2
MOD_DEF(0)	4	2
MOD_DEF(1)	5	2
MOD_DEF(2)	6	2
TX_DISABLE	7	2
GND	8	2
GND	9	2
TX_FAULT	10	2
GND	11	1
-RX_DAT	12	1
+RX_DAT	13	1
GND	14	1
V <sub>CC</sub>	15	2
V <sub>CC</sub>	16	2
GND	17	1
+TX_DAT	18	1
-TX_DAT	19	1
GND	20	1

**Table 1. GBIC to host connector pin assignment**

“Sequence” indicates the order in which pins make contact when the device is hot plugged. See “Table 3: Signal Definitions” in the GBIC Specification Revision 5.5.<sup>1</sup> for a description of the function of each pin list above.

## II. Electrical Power Interface

Finisar FTL-1419-3D GBICs have an extended power supply voltage range of 3.15 V to 5.5 V as described in Table 2. They are compatible with both 3.3V and 5V systems.

Parameter	Symbol	Min	Typ	Max	Units	Notes/Conditions
Supply Current	$I_s$		200	300	mA	
Inrush Current	$I_{\text{surge}}$			30	mA	Hot plug, above steady state current.
Absolute Supply Voltage	$V_{\text{max}}$	-0.3		6	V	Not to be applied continuously
Operating Supply Voltage	$V_{\text{cc}}$	3.15	3.3, 5	5.5	V	Referenced to GND

Table 2. Electrical power interface

## III. Low Speed Signals

RX\_LOS and TX\_DISABLE are TTL signals as described in Table 3. MOD\_DEF(1) (SCL) and MOD\_DEF(2) (SDA), are open drain CMOS signals (see section VIII, “Serial Communication Protocol”). Both MOD\_DEF(1) and MOD\_DEF(2) must be pulled up to host\_Vcc. For more detailed information, see sections 5.3.1 – 5.3.8 in the GBIC Specification Rev. 5.5<sup>1</sup>.

Parameter	Symbol	Min	Max	Units	Notes/Conditions
GBIC Output LOW	$V_{\text{OL}}$	0	0.5	V	4.7k to 10k pull-up to host_Vcc, measured at host side of connector
GBIC Output HIGH	$V_{\text{OH}}$	host_Vcc - 0.5	host_Vcc + 0.3	V	4.7k to 10k pull-up to host_Vcc, measured at host side of connector
GBIC Input LOW	$V_{\text{IL}}$	0	0.8	V	4.7k to 10k pull-up to Vcc, measured at GBIC side of connector
GBIC Input HIGH	$V_{\text{IH}}$	2	Vcc + 0.3	V	4.7k to 10k pull-up to Vcc, measured at GBIC side of connector

Table 3. Low speed signals – electronic characteristics

Parameter	Symbol	Min	Typ	Max	Units	Notes/Conditions
RX_LOS Assert Level	--	-34			dBm	
RX_LOS Deassert Level	--			-24	dBm	
RX_LOS Hysteresis	--	0.5			dB	
RX_LOS Assert Delay	t_loss_on			100	μsec	From detection of loss of signal to assertion of RX_LOS
RX_LOS Negate Delay	t_loss_off			100	μsec	From detection of presence of signal to negation of RX_LOS
TX_DISABLE Assert Time	t_off			10	μsec	Rising edge of TX_DISABLE to fall of output signal below 10% of nominal
TX_DISABLE Negate Time	t_on			1000	μsec	Falling edge of TX_DISABLE to rise of output signal above 90% of nominal
TX_DISABLE Reset Time	t_reset	10			μsec	TX_DISABLE HIGH before TX_DISABLE set LOW
TX_FAULT Initialize Time	t_init			300	msec	From power on after VCC > 4.5V
TX_FAULT Assert Time	t_fault			100	μsec	From occurrence of fault

Table 4. Low speed signal parameters

#### IV. High Speed Electrical Interface

All high-speed PECL signals are AC-coupled internally.

Parameter	Symbol	Min	Typ	Max	Units	Notes/Conditions
Data Input Voltage	V <sub>in</sub>	650		2000	mV	PECL differential peak - peak
Data Output Voltage	V <sub>out</sub>	370		2000	mV	PECL differential peak - peak
PECL rise/fall	t <sub>r</sub> , t <sub>f</sub>			260	psec	20% -80% differential
Bit Error Rate	BER			10 <sup>-12</sup>		PRBS 2 <sup>7</sup> - 1 test data pattern
Tx Input Impedance	Z <sub>in</sub>		75		Ohm	
Rx Output Impedance	Z <sub>out</sub>		75		Ohm	

Table 5. High-speed electrical interface

**V. Optical Parameters**

Parameter	Symbol	Min	Typ	Max	Units	Notes/Conditions
<b>TRANSMITTER CHARACTERISTICS</b>						
Transmitter Center Wavelength	$\lambda_c$	1290	1310	1340	nm	
Side Mode Suppression Ratio	SMSR	30			dB	
Spectral Width (-20dB)	$\sigma$			1	nm	
Transmitter Optical Output Power	$P_{out}$	-2		+3	dBm	Average power coupled into single mode fiber
Transmitter Extinction Ratio	ER	9			dB	
Transmitter Eye Mask Margin	--	20			%	Conforms to IEEE 802.3 and Fibre Channel Eye Masks
Transmitter Rise/Fall Time	tr /tf			260	ps	20%-80% differential unfiltered
Total Transmitter Jitter				160	ps	Peak to peak, filtered
Relative Intensity Noise	RIN			-120	dB / Hz	
Dispersion Penalty at 40km				1	dB	With SMF-28 fiber
<b>RECEIVER CHARACTERISTICS</b>						
Optical Input Wavelength	$\lambda_{in}$	1260		1610	nm	
Receiver Reflectance	$R_{RX}$			-14	dB	
Optical Input Power	$P_{in}$	-23		-1	dBm	BER < $10^{-12}$ w/ PRBS $2^7$ - 1 test pattern @ 1.25Gb/s
Total Receiver Jitter				160	ps	Peak to peak, filtered in loopback

**Note:** Parameters are specified over temperature and voltage, at end of life unless otherwise noted.

**Table 6. Optical parameters**

**VI. General Specifications**

Parameter	Symbol	Min	Typ	Max	Units	Notes/Conditions
Data Rate	BR		1.25 1.0625		Gb/sec	Fibre Channel, IEEE 802.3 Compatible
Fiber Length*	L	0		40	km	9 $\mu$ m Core Single Mode Fiber
Total System Budget	--	21			dB	

\*An attenuation of <0.55dB/km is assumed. Fiber loss budget plus all other system penalties must not exceed 21 dB.

**Table 7. General specifications**

**VII. Environmental Specifications**

Parameter	Symbol	Min	Typ	Max	Units	Notes/Conditions
Operating Temp	T <sub>op</sub>	0		70	°C	Case Temperature
Relative Humidity	RH	0		85	%	Non Condensing
Storage Temp	T <sub>sto</sub>	-40		85	°C	
Eye Safety	--					CDRH and IEC-825 Class 1 Laser Product. See Note 1

**Note 1:** Complies with FDA performance standards for laser products except for deviations pursuant to Laser Notice No. 50, dated July 26, 2001.

**Table 8. Environmental specifications**

**VIII. Serial Communication Protocol**

All Finisar optical GBICs implement serial identification features described for ‘Module Definition “4”’ as outlined in Annex D of the GBIC Specification<sup>1</sup>. These GBICs use an Atmel AT24C01A 128 byte E<sup>2</sup>PROM at address A0H. For details on interfacing with the E<sup>2</sup>PROM, see the Atmel data sheet titled “AT24C01A/02/04/08/16 2-Wire Serial CMOS E<sup>2</sup>PROM.”<sup>6</sup>

The FTL-1419-3D also supports extended diagnostic features as described in Finisar Applications Note AN-2030, “Digital Diagnostic Monitoring Interface for Optical Transceivers”<sup>8</sup>, and additional information is available in SFF standard titled: “Digital Diagnostic Monitoring Interface for Optical Transceivers”<sup>7</sup> (SFF-8472 rev9.3). A controller IC that monitors system parameters such as laser current, module temperature, transmitter power, and received power is accessible at address A2H.

I2C clock speed, digital diagnostic accuracy and digital diagnostic range can be found in the table below. Values in the table represent the worst-case values over temperature, voltage, and life.

Parameter	Symbol	Min	Typ	Max	Units	Notes/Conditions
I <sup>2</sup> C Clock Speed		0		100,000	Hz	Bus can be driven blind
<b>Accuracy</b>						
Internal Transceiver Temperature	DD <sub>Temperature</sub>	-3		+3	°C	Measured at controller IC
Internal Transceiver Supply Voltage	DD <sub>Voltage</sub>	-3		+3	%	Measured at controller IC
Tx Bias Current	DD <sub>Bias</sub>	-10		+10	%	
Tx Output Power	DD <sub>TxPower</sub>	-3		+3	dB	100% tested in production tested at room temp to ±2 dB
Received Average Power	DD <sub>RxPower</sub>	-3		+3	dB	100% tested in production tested at room temp to ±2 dB
<b>Range</b>						
Internal Transceiver Temperature	DD <sub>Temperature</sub>	-40		85	°C	
Internal Transceiver Supply Voltage	DD <sub>Voltage</sub>	3.0		6.0	V	
Tx Bias Current	DD <sub>Bias</sub>	0		90	mA	
Tx Output Power	DD <sub>TxPower</sub>	-3		4	dBm	
Received Average Power	DD <sub>RxPower</sub>	-23		-1	dBm	

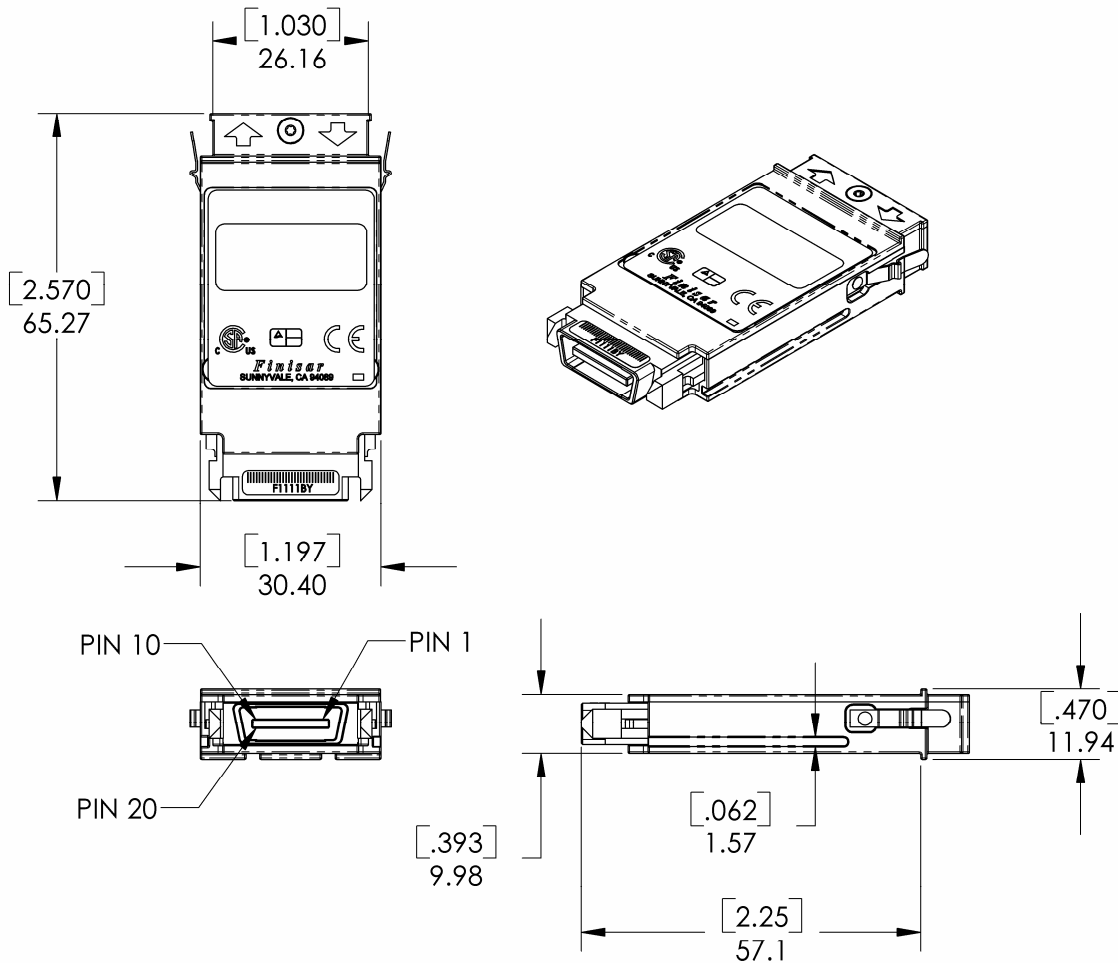
**Table 9. Digital Diagnostic Accuracy and Range Limits**

**IX. Mechanical Specifications**

Finisar GBICs are compatible with the mechanical specifications outlined in the GBIC Specification Revision 5.5, Section 6<sup>1</sup>.

Insertion, Extraction, and Retention Forces						
Parameter	Symbol	Min	Typ	Max	Units	Notes/Conditions
GBIC insertion	F <sub>I</sub>	0		20	Newtons	~4.5 lbs
GBIC extraction	F <sub>E</sub>	0		15	Newtons	~3.3 lbs
GBIC retention	F <sub>R</sub>	130		N/A	Newtons	Straight out ~29.3 lbs

**Table 10. Insertion, extraction, and retention forces**



**Figure 1. GBIC outline drawing**



**X. References**

1. “Gigabit Interface Converter (GBIC) Revision 5.5”. Sun Microsystems Computer Company et. al., August 16, 1999. <http://playground.sun.com/pub/OEmod/>
2. IEEE Std 802.3. IEEE Standards Department, 2002.
3. “Fibre Channel Physical and Signaling Interface (FC-PH, FC-PH2, FC-PH3)”. American National Standard for Information Systems.
4. “Fibre Channel Draft Physical Interface Specification (FC-PI-2 Rev. 10.0). American National Standard for Information Systems.
5. Directive 2002/95/EC of the European Council Parliament and of the Council, “on the restriction of the use of certain hazardous substances in electrical and electronic equipment.” January 27, 2003.
6. “AT24C01A/02/04/08/16 2-Wire Serial CMOS E<sup>2</sup>PROM”. Atmel Corporation. [www.Atmel.com](http://www.Atmel.com)
7. “Digital Diagnostics Monitoring Interface for Optical Transceivers”. SFF Document Number SFF-8472, Revision 9.3.
8. “Application Note AN-2030: Digital Diagnostic Monitoring Interface for Optical Transceivers”, Finisar Corporation, April 2002.
9. “Application Note AN-2038: Finisar Implementation of RoHS Compliant Transceivers”, Finisar Corporation, March 2005.

\* The GBIC Standard, FC-PI-2 and IEEE 802.3 do not specify a 1310nm single-mode interface for 40km applications. The FTL-1419-3D complies with these standards except for the following optical parameters: receiver sensitivity and transmit output power. See Table 6 for details.

**XI. For More Information**

Finisar Corporation  
1389 Moffett Park Drive  
Sunnyvale, CA 94089-1133  
Tel. 1-408-548-1000  
Fax 1-408-541-6138  
[sales@finisar.com](mailto:sales@finisar.com)  
[www.finisar.com](http://www.finisar.com)