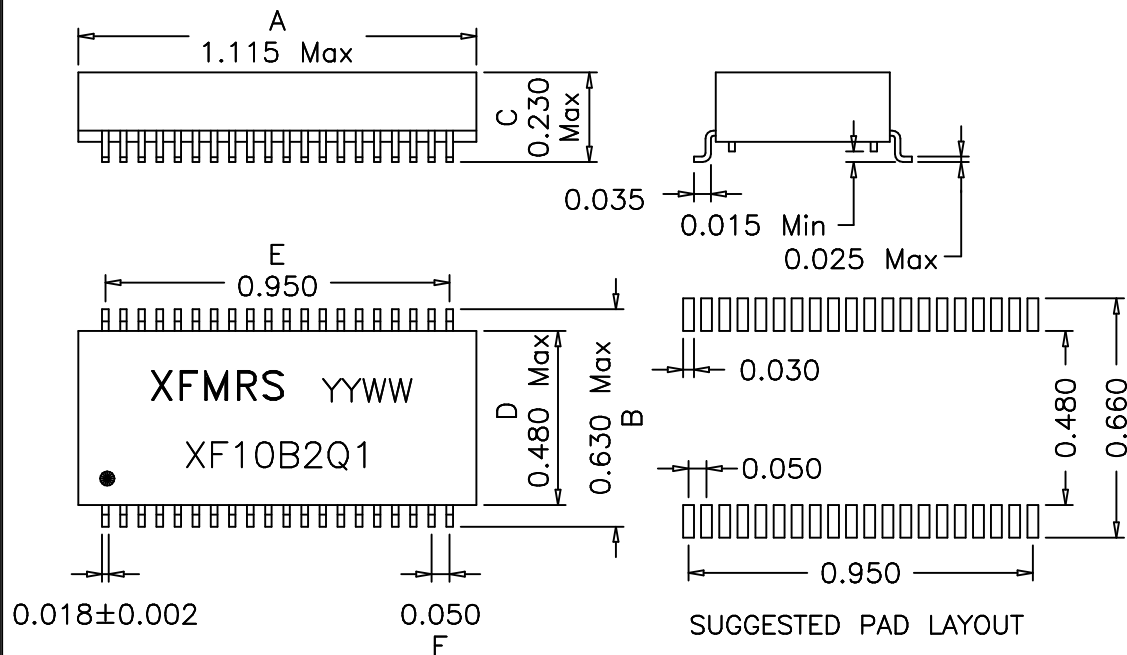
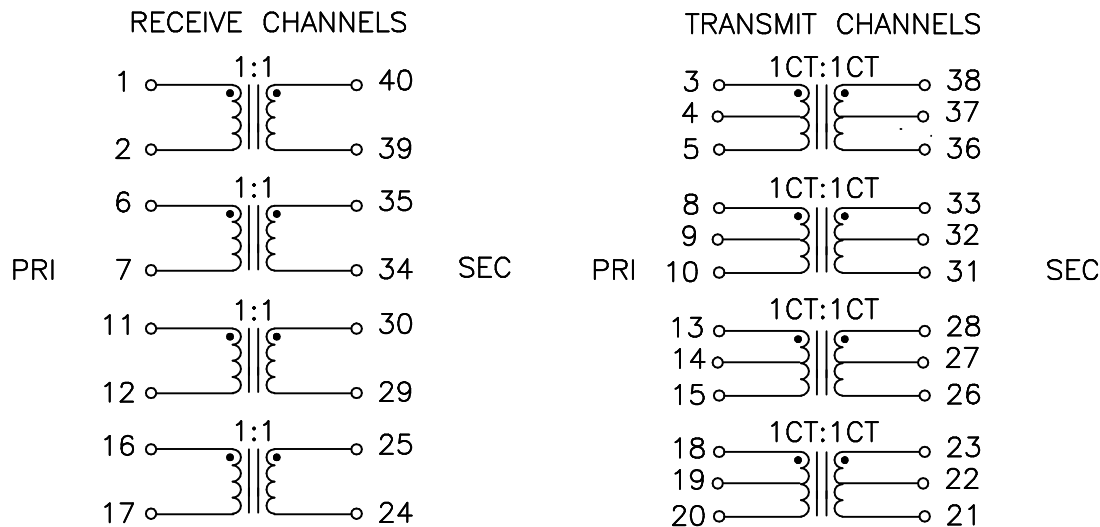


1. Dimensions:



2. Schematic:



DOC REV B/2

3. Electrical Specifications: @25°C

- Isolation: 1500 Vrms (PRI to SEC)
- Turns Ratio: 1CT:1CT ±2%(TX)
- Turns Ratio: 1:1 ±2% (RCV)
- PRI OCL: 150uH Minimum (TX&RCV) @100KHz 50mV
- Cw/w: 12pF Maximum (PRI/SEC) @100KHz 50mV
- PRI LL: 0.30uH Max @TX&RCV (SEC Shorted) @100KHz 50mV
- Insertion Loss: -1.0dB Maximum (1-10MHz)
- Return Loss: -20dB Minimum (5-10MHz 100 Ohms)

Note:

1. Solderability: Leads shall meet MIL-STD-202, Method 208D for solderability.
2. Flammability: UL94V-0,
3. ASTM oxygen index: > 28% ,
4. Temperature rating: 155°C. UL file E151556,
5. Operating Temperature Range: All listed parameters are to be within tolerance from -40°C to +85°C

XFMRs Inc	Title: 10BASE-T Quad SMT Transformer Modules		
	UNLESS OTHERWISE SPECIFIED TOLERANCES: .xxx ±0.010 Dimensions in INCH		P/N: XF10B2Q1 REV. B
SCALE 2:1 SHT 1 OF 1	DWN.	廖玉坤	Oct-18-01
	CHK.	李清儿	Oct-18-01
	APP.	Isaiah M	Oct-18-01