

PLEASE CHECK WWW.MOLEX.COM FOR LATEST PART INFORMATION

Part Number: **0008700064**
Status: **Active**
Overview: **kk**
Description: KK® Cat Ear Crimp Terminal 5159, 22-28 AWG, Reel, Brass, Tin (Sn) over Copper Plating

Documents:

3D Model	Product Specification PS-5051-004 (PDF)
Drawing (PDF)	Product Specification PS-5102-004 (PDF)
Product Specification PS-5045-001 (PDF)	Product Specification PS-5159-001 (PDF)
Product Specification PS-5045-002 (PDF)	Product Specification PS-5159-002 (PDF)
Product Specification PS-5047-001 (PDF)	RoHS Certificate of Compliance (PDF)
Product Specification PS-5051-003 (PDF)	

General

Product Family	Crimp Terminals
Series	5159
Crimp Quality Equipment	Yes
Overview	kk
Product Name	Cat Ear, KK®

Physical

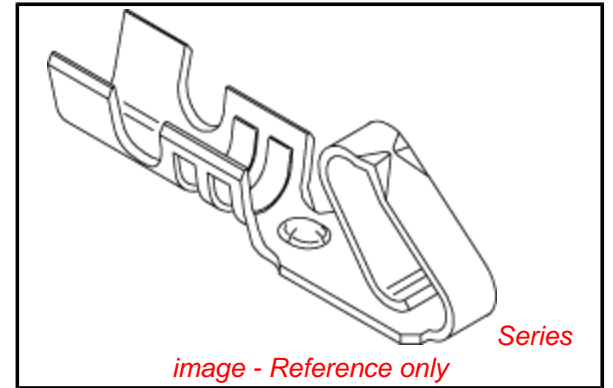
Gender	Female
Material - Metal	Brass
Material - Plating Mating	Tin
Material - Plating Termination	Tin
Packaging Type	Reel
Plating min: Mating (µin)	35
Plating min: Mating (µm)	0.88
Plating min: Termination (µin)	35
Plating min: Termination (µm)	0.88
Termination Interface: Style	Crimp or Compression
Wire Insulation Diameter	1.20-1.70mm (.047-.067")
Wire Size AWG	22, 24, 26, 28
Wire Size mm²	N/A

Material Info

Old Part Number	5159T
-----------------	-------

Reference - Drawing Numbers

Packaging Specification	SPK-5159-001
Product Specification	PS-5045-001, PS-5045-002, PS-5047-001, PS-5051-003, PS-5051-004, PS-5102-004, PS-5159-001, PS-5159-002, RPS-3094-001, RPS-5051-007
Sales Drawing	SD-5159*



EU RoHS

ELV and RoHS Compliant
REACH SVHC Contains SVHC: No
Halogen-Free Status

China RoHS



Need more information on product environmental compliance?

Email productcompliance@molex.com
 For a multiple part number RoHS Certificate of Compliance, [click here](#)

Please visit the [Contact Us](#) section for any non-product compliance questions.

Search Parts in this Series

[5159Series](#)

Use With

[2695](#) , [5051](#) , [6471](#) , [3071](#)

Application Tooling | FAQ

Tooling specifications and manuals are found by selecting the products below. Crimp Height Specifications are then contained in the Application Tooling Specification document.

Global

Description	Product #
Extraction Tool	0011030022
Insertion Tool	0638120000
Mini-Mac™	0638882000
Applicator, Use with Large Wire Insulation Diameter	
Mini-Mac™	0638882100
Applicator, Use with Small Wire Insulation Diameter	

Japan

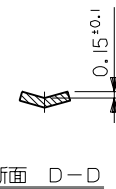
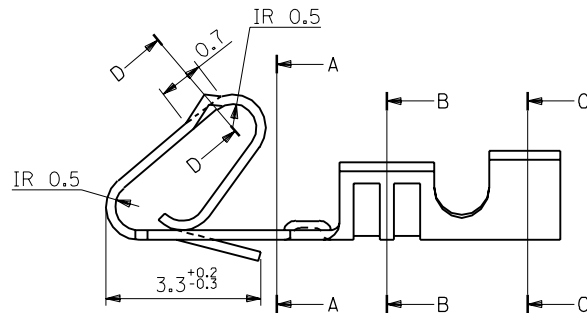
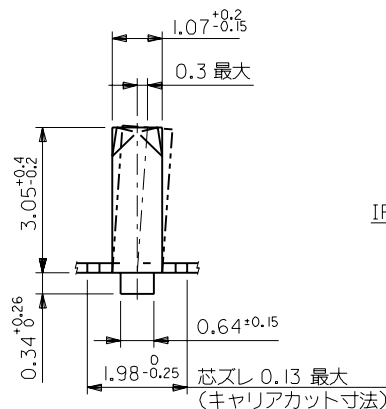
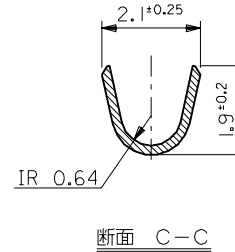
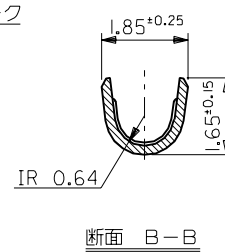
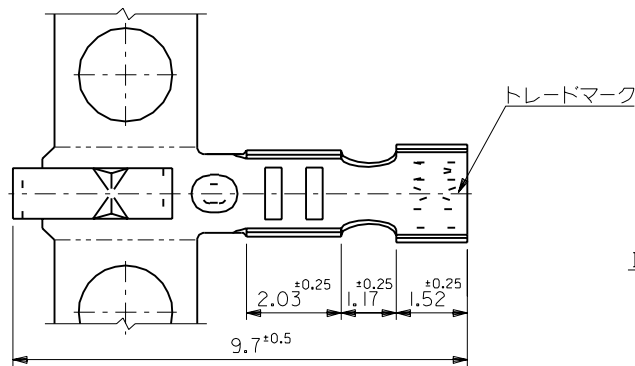
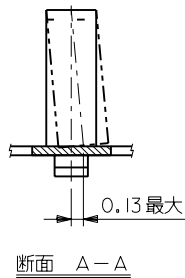
Description

Product #

Hand Extraction Tool 0011260059

This document was generated on 06/01/2010

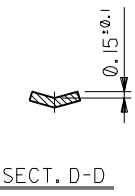
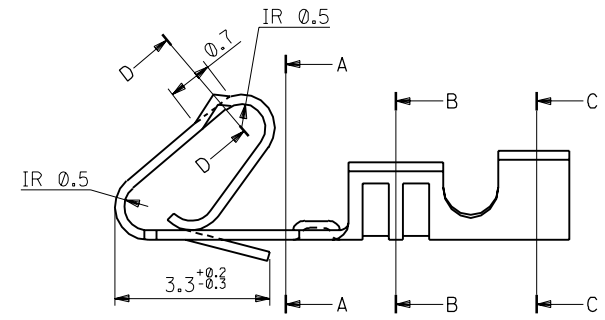
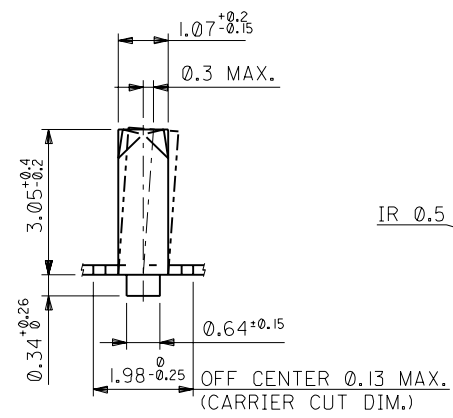
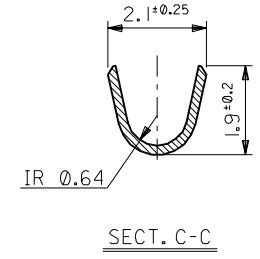
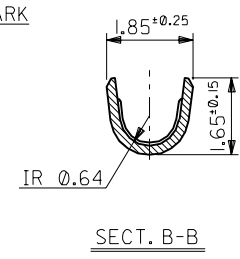
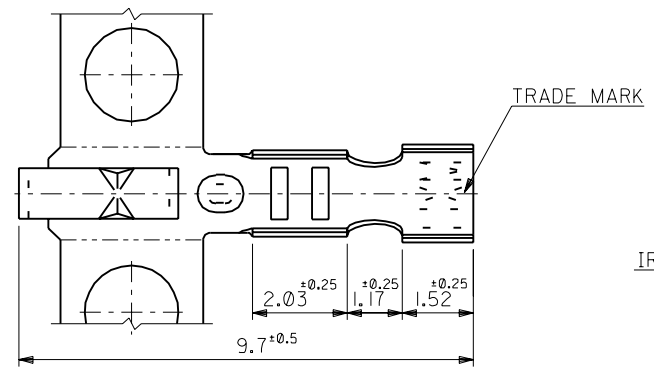
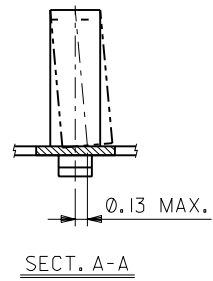
PLEASE CHECK WWW.MOLEX.COM FOR LATEST PART INFORMATION



錫 0.9µm以上 リフロー処理	リン青銅 メッキ済	バラ状 連鎖状	08-70-0049 08-70-0048	5159PBTL 5159PBT
錫 0.9µm以上 銅下地 0.5µm以上	黄銅 メッキ済	バラ状 連鎖状	08-70-0069 08-70-0064	5159TL 5159T
メッキ仕様	材質	端子形状	EDP NO.	ENG. NO.

角度 ANGLE		±3°						材料 表参照 MATERIAL 表参照 板厚: 0.203	MOLEX JAPAN CO., LTD. 日本モレックス株式会社
30以上 OVER		+0.3						仕上げ 表参照 FINISH 表参照	
10以上 30未滿 UNDER		+0.25	J	変更及び再作図 (JQ0775)	S.M.	H.H.	90/7/9	適用電線範囲 WIRE RANGE AWG #22-#28	EDP NO. 08-70-00**
10未滿 UNDER		+0.2	記号 LTR	変更内容 REVISION RECORD	DR.	CHK.	日付 DATE	被覆外径 INS. RANGE Φ (1.2)-1.7	ENG. NO. SD-5159*
一般公差 GENERAL TOLERANCES			REVISION RECORD				DRAWN BY 90/7/9 S.MOCHIZUKI		TITLE 名称 MINI. KK. CRIMP RECEPTACLE
			REVISION RECORD				APP'D BY 91/03/26 M.ENOMOTO		REV J

THIS DRAWING CONTAINS INFORMATION THAT IS PROPRIETARY TO MOLEX(JAPAN) AND SHOULD NOT BE USED WITHOUT WRITTEN PERMISSION
本図面は日本モレックス(株)の所有する情報を含むもので 当社の許可なく複製を禁止する。



TIN 0.9um MIN. REFLOW TREATMENT	PHOSPHOR BRONZE PRE PLATED	LOOSE	08-70-0049	5159PBTL
		CHAIN	08-70-0048	5159PBT
TIN 0.9um MIN. OVER COPPER 0.5um MIN.	BRASS PRE PLATED	LOOSE	08-70-0069	5159TL
		CHAIN	08-70-0064	5159T
PLATING	MATERIAL	FORM	EDP NO.	ENG. NO.

材料 MATERIAL		SEE TABLE	MOLEX MOLEX-JAPAN CO.,LTD. 日本モレックス株式会社
THK : 0.203			
仕上げ FINISH		SEE TABLE	EDP. NO. 08-70-00**
適用電線範囲 WIRE RANGE		AWG #22-#28	ENG. NO.
被覆外径 INS. RANGE		$\Phi (1.2) - 1.7$	REV J
DRAWN BY 90/7/9 S.MOCHIZUKI		CHK'D BY 91/03/26 M.FUKUSHIMA	TITLE 名称 MINI. KK. CRIMP RECEPTACLE
APP'D BY 91/03/26 M.ENOMOTO		尺度 SCALE 10-1	
REVISION RECORD			
角度 ANGLE	$\pm 3^\circ$		
30以上 OVER	± 0.3		
10以上 30未滿 UNDER	± 0.25	J	REVISED & REDRAWN (J00775) S.M. H.H. 90/7/9
10未滿 UNDER	± 0.2	記号 LTR	変更内容 REVISION RECORD DR. CHK. DATE 日付
一般公差 GENERAL TOLERANCES		REVISE ONLY ON CAD SYSTEM	

THIS DRAWING CONTAINS INFORMATION THAT IS PROPRIETARY TO MOLEX(JAPAN) AND SHOULD NOT BE USED WITHOUT WRITTEN PERMISSION
 本図面は日本モレックス(株)の所有する情報を含むもので 当社の許可なく複製を禁止する。