

PLEASE CHECK WWW.MOLEX.COM FOR LATEST PART INFORMATION

Part Number: **0190250002**
Status: **Active**
Description: Avikrimp™ Quick Disconnect for 18-22 AWG Wire, Male, 4.75mm (.187") x 0.51mm (.020") Tab

Documents:

[Drawing \(PDF\)](#) [RoHS Certificate of Compliance \(PDF\)](#)

Agency Certification

CSA LR18689
 UL E79133

General

Product Family Quick Disconnects
 Series 19025
 Comments Funnel Ferrule Entry
 Crimp Quality Equipment Yes
 MolexKits Yes
 Product Name Avikrimp™
 Type Quick Disconnect

Physical

Barrel Type Closed
 Color - Resin Natural
 Flammability 94V-2
 Gender Male
 Glow-Wire Compliant No
 Insulation Nylon (PA)
 Lock to Mating Part None
 Material - Metal Brass
 Material - Resin Nylon
 Orientation Straight
 Packaging Type Bag
 Polarized to Mating Part No
 Tab Thickness 0.51mm (.020")
 Tab Width 4.75mm (.187")
 Temperature Range - Operating -65°C to +105°C
 Wire Insulation Diameter 6.30mm (.248") max.
 Wire Size AWG 18, 20, 22
 Wire Size mm² 0.35 - 0.80

Electrical

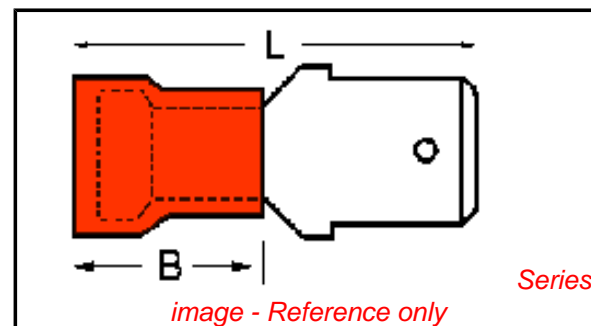
Voltage - Maximum 600V

Material Info

Old Part Number AMCT-57

Reference - Drawing Numbers

Sales Drawing SD-19025-002



EU RoHS

ELV and RoHS Compliant
REACH SVHC
 Not Reviewed
Halogen-Free Status

China RoHS



Not Reviewed

Need more information on product environmental compliance?

Email productcompliance@molex.com
 For a multiple part number RoHS Certificate of Compliance, [click here](#)

Please visit the [Contact Us](#) section for any non-product compliance questions.

Search Parts in this Series

[19025Series](#)

Application Tooling | FAQ

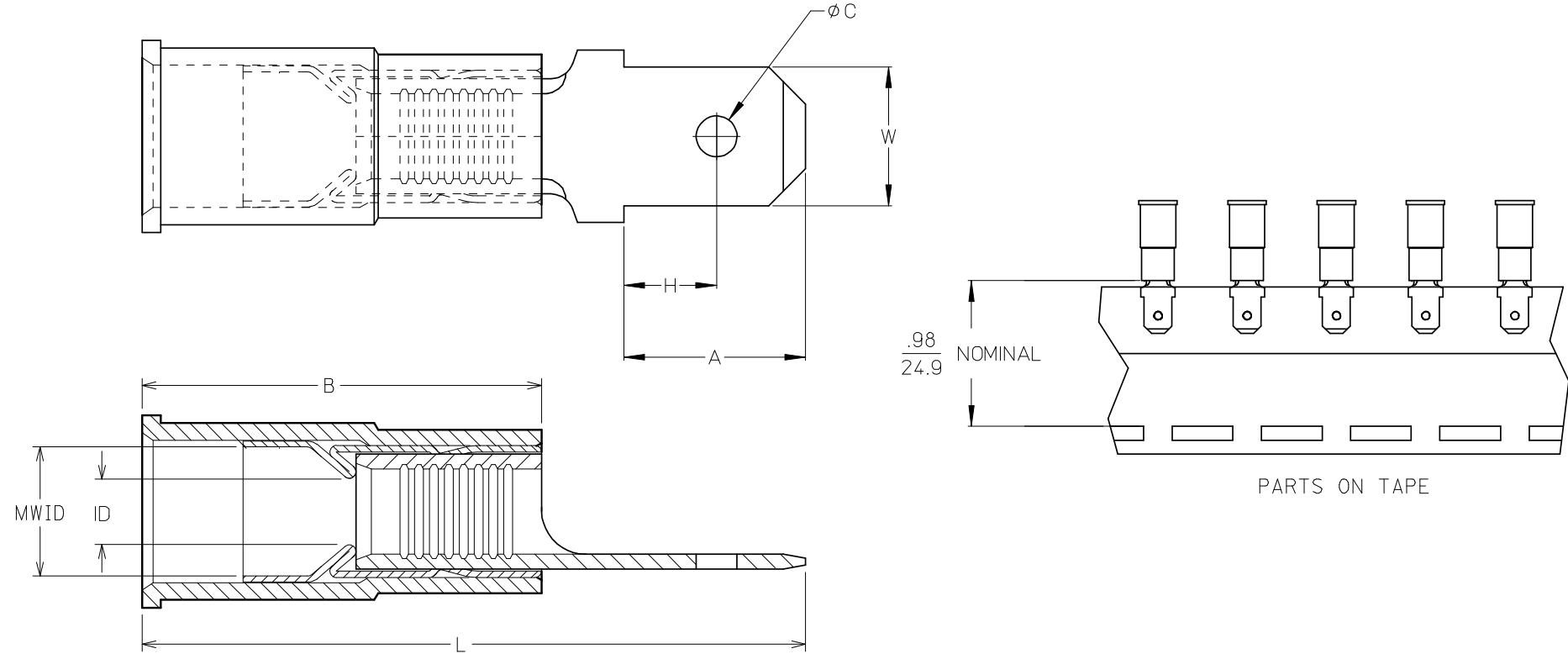
Tooling specifications and manuals are found by selecting the products below. Crimp Height Specifications are then contained in the Application Tooling Specification document.

Global

Description	Product #
Hand Crimp Tool	0640010100
Crimp Head for the AT-200™ Pneumatic Hand Tool	0640050100

10	9	8	7	6	5	4	3	2	19025							
LOOSE PC MATERIAL NO.	LOOSE PC ENG. NO.	ON TAPE MAT'L NO.	ON TAPE ENG. NO.	WIRE RANGE	TAB SIZE REFERENCE	COLOR	ID MIN	B REF	MWID	L MAX	W ± 0.05 0.13	A MIN	H MAX	C ± 0.07 0.18	TERMINAL MAT'L THICKNESS - REF	TERMINAL FINISH
190250001	AMCT-5	190250004	AMCT-5T	22-18AWG (0.38-.96mm ²)	.250x.032 (6.35x0.81)	RED	.054/1.37	.546/13.87	.138/3.51	1.00/25.4	.250/6.35	.30/7.6	.14/3.6	.075/1.91	BRASS, .032/0.81	ZINC CHROMATE
190250007	MCT-5	190250010	MCT-5T	16-14AWG (1.23-1.94mm ²)	.250x.032 (6.35x0.81)	BLUE	.081/2.06	.546/13.87	.165/4.19	1.00/25.4	.250/6.35	.30/7.6	.14/3.6	.075/1.91	BRASS, .032/0.81	ZINC CHROMATE
190250005	CMCT-5	190250006	CMCT-5T	12-10AWG (3.09-5.01mm ²)	.250x.032 (6.35x0.81)	YELLOW	.128/3.25	.669/16.99	.225/5.71	1.18/30.0	.250/6.35	.30/7.6	.14/3.6	.075/1.91	BRASS, .032/0.81	ZINC CHROMATE
190250002	AMCT-57	190250003	AMCT-57T	22-18AWG (0.38-.96mm ²)	.187x.020 (4.75x0.51)	RED	.054/1.37	.546/13.87	.138/3.51	.82/20.83	.187/4.75	.24/6.1	.13/3.3	.055/1.40	BRASS, .020/0.51	ZINC CHROMATE
190250008	MCT-57	190250009	MCT-57T	16-14AWG (1.23-1.94mm ²)	.187x.020 (4.75x0.51)	BLUE	.081/2.06	.546/13.87	.165/4.19	.82/20.83	.187/4.75	.24/6.1	.13/3.3	.055/1.40	BRASS, .020/0.51	ZINC CHROMATE

(A) (ENTIRE CHART)



(A) (ALL NOTES)

- NOTES:
1. TERMINAL MATERIAL & FINISH: SEE CHART
 2. INSULATION MATERIAL: NYLON
 3. FERRULE:
MATERIAL: BRASS
FINISH: TIN
 4. TAB DIMENSIONS PER UL310 SPECIFICATIONS.
 5. PART IS ROHS COMPLIANT.
 6. MWID = MAXIMUM WIRE INSULATION DIAMETER

REDWN W/MATL & FIN CHG EC NO: ETC2007-0081 DRWN:EHILE 2008/01/28 CHKD:MACNEIL 2008/01/28 APPR:JMACNEIL 2008/02/13 REV A	QUALITY SYMBOLS ▽=0 ∇=0	GENERAL TOLERANCES (UNLESS SPECIFIED) <table border="1"> <thead> <tr> <th></th> <th>mm</th> <th>INCH</th> </tr> </thead> <tbody> <tr> <td>4 PLACES</td> <td>±---</td> <td>±---</td> </tr> <tr> <td>3 PLACES</td> <td>±---</td> <td>±---</td> </tr> <tr> <td>2 PLACES</td> <td>±---</td> <td>±---</td> </tr> <tr> <td>1 PLACE</td> <td>±---</td> <td>±---</td> </tr> </tbody> </table>		mm	INCH	4 PLACES	±---	±---	3 PLACES	±---	±---	2 PLACES	±---	±---	1 PLACE	±---	±---	DIMENSION STYLE IN/MM (A)	SCALE ---	DESIGN UNITS INCH	THIRD ANGLE PROJECTION
		mm	INCH																		
	4 PLACES	±---	±---																		
	3 PLACES	±---	±---																		
2 PLACES	±---	±---																			
1 PLACE	±---	±---																			
DRAFT WHERE APPLICABLE MUST REMAIN WITHIN DIMENSIONS		DRAWN BY RCM	DATE 1994/07/06	TITLE MALE QUICK DISCONNECT, AVIKRIMP																	
		CHECKED BY JM	DATE 1994/07/06	MOLEX INCORPORATED																	
		APPROVED BY FP	DATE 1994/07/06	MATERIAL NO. SEE CHART	DOCUMENT NO. SD-19025-002	SHEET NO. 1 OF 1															