

PLEASE CHECK WWW.MOLEX.COM FOR LATEST PART INFORMATION

Part Number: [0357990292](#)
Status: **Active**
Description: 1.78mm (.070") Tab Wire-to-Board Housing, Female, 2 Circuits

Documents:

[Drawing \(PDF\)](#) [RoHS Certificate of Compliance \(PDF\)](#)
[Product Specification PS-35798-001 \(PDF\)](#)

General

Product Family Crimp Housings
 Series [35799](#)
 Product Name N/A

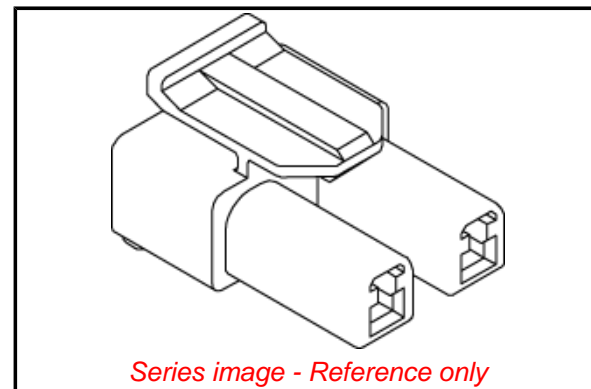
Physical

Circuits (maximum) 2
 Gender Female
 Glow-Wire Compliant No
 Number of Rows 1
 Packaging Type Bag
 Panel Mount No
 Pitch - Mating Interface (in) 0.315 In
 Pitch - Mating Interface (mm) 8.00 mm
 Stackable No
 Temperature Range - Operating -40°C to +120°C

Material Info

Reference - Drawing Numbers

Product Specification PS-35798-001
 Sales Drawing SD-35799-001



EU RoHS

**ELV and RoHS
 Compliant**
**REACH SVHC
 Not Reviewed**
**Halogen-Free
 Status
 Not Reviewed**

China RoHS



**Need more information on product
 environmental compliance?**

Email productcompliance@molex.com
 Please visit the [Contact Us](#) section for any
 non-product compliance questions.

Search Parts in this Series
[35799 Series](#)

Mates With
[35798](#)

Use With
[57963](#)

DO NOT SCALE DRAWING
DIMENSION IN METRIC

B

C

PROJECT NO.

SIMILAR ITEM

DWG. NO.
SD-35799-001

8

7

6

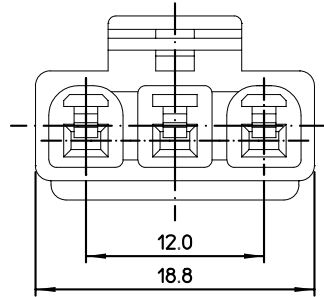
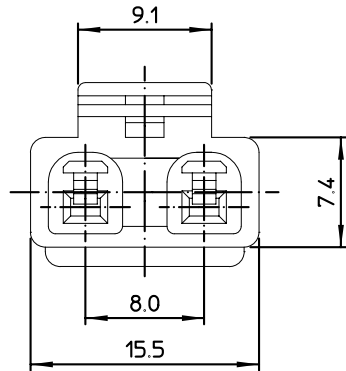
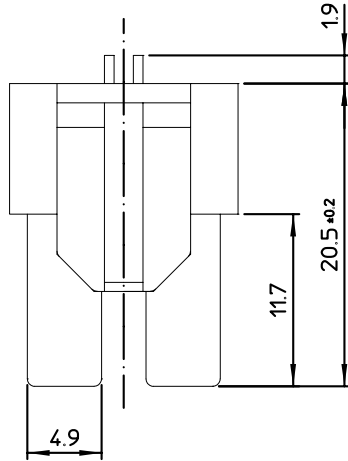
5

4

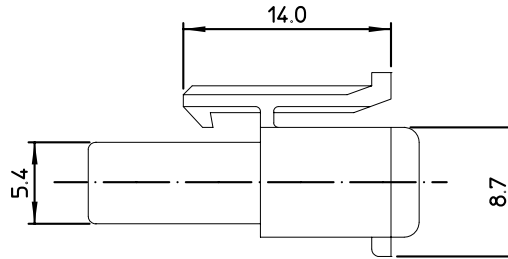
3

2

1



35799-03**



CKT	MATERIAL NO.	ENG NO.	MATERIAL	COLOR
2	357990210	35799-0210	NYLON66 (UL94V-2)	NATURAL
	357990290	35799-0290	POLYPROPYLENE (UL94V-0)	
	357990212	35799-0212	NYLON66 (UL94V-2)	RED
	357990292	35799-0292	POLYPROPYLENE (UL94V-0)	
3	357990310	35799-0310	NYLON66 (UL94V-2)	NATURAL
	357990390	35799-0390	POLYPROPYLENE (UL94V-0)	
	357990312	35799-0312	NYLON66 (UL94V-2)	RED
	357990392	35799-0392	POLYPROPYLENE (UL94V-0)	

F

E

D

C

B

A

REVISED ECN NO:KOR2002-0014 DRWN:CB.CHIN 01/09/14 CHK:K.K.CHOI APPR:W.LEE	QUALITY SYMBOLS MAJOR -0 CRITICAL C -0	GENERAL TOLERANCES: (UNLESS SPECIFIED)		SCALE 4:1	DESIGN UNITS <input checked="" type="checkbox"/> mm <input type="checkbox"/> INCH	DIMENSIONS: <input type="checkbox"/> mm <input type="checkbox"/> INCH <input checked="" type="checkbox"/> mm ONLY	SHT REV	
		4 PLACES ±0. ±.	DRAWN BY & DATE C.B.CHIN 01/04/17	TITLE: .070 W/B HOUSING-2,3P			MILEX MOLEX INCORPORATED	REVISE ON CAD ONLY
		3 PLACES ±0. ±.	CHECKED BY & DATE B.K.CHOI 01/04/17	APPROVED BY & DATE C.W.LEE 01/04/17				
		2 PLACES ±0.15 ±.	CAD FILENAME S35799A.MI	MATERIAL NO. SEE CHART	DRAWING NO. SD-35799-001	SHEET NO. 1 OF 1	SIZE B	
1 PLACE ±0.15 ±.	DRAFT WHERE APPLICABLE MUST REMAIN WITHIN DIMENSIONS					THIS DRAWING CONTAINS INFORMATION THAT IS PROPRIETARY TO MOLEX INCORPORATED AND SHOULD NOT BE USED WITHOUT WRITTEN PERMISSION.		

8

7

6

5

4

3

2

KOREA

MX-A3