

**PLEASE CHECK WWW.MOLEX.COM FOR LATEST PART INFORMATION**

**Part Number:** [0473913002](#)  
**Status:** **Active**  
**Overview:** [external serial ata](#)  
**Description:** 1.27mm (.050") Pitch External Serial ATA Shelled Plug without Flange, Bottom Mount, Right Angle, Unmating Height 5.35mm (.211"), 0.38µm (15µ")Gold(Au) Plating, 7 Circuits, with Vacuum Pick-Up Tape, Lead Free

**Documents:**

[Drawing \(PDF\)](#) [RoHS Certificate of Compliance \(PDF\)](#)  
[Product Specification PS-47082-001 \(PDF\)](#)

**General**

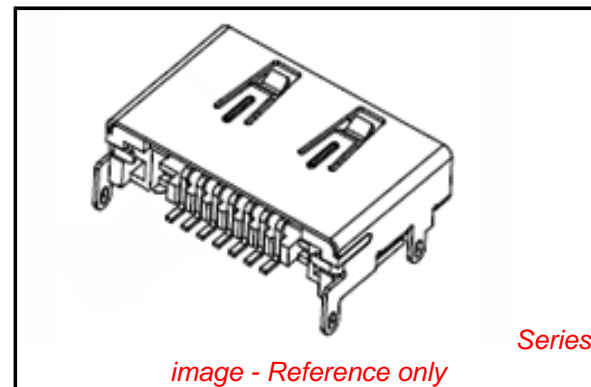
Product Family	I/O Connectors
Series	<a href="#">47391</a>
Application	Wire-to-Board
Comments	Without Flange
Component Type	Plug, Receptacle
Overview	<a href="#">external serial ata</a>
Product Name	External Serial ATA
Type	N/A

**Physical**

Boot Color	N/A
Circuits (Loaded)	7
Circuits (maximum)	7
Color - Resin	Black
Gender	Plug
Keying to Mating Part	Yes
Lock to Mating Part	Yes
Material - Plating Mating	Gold
Material - Plating Termination	Tin
Number of Rows	1
Orientation	Right Angle
PCB Locator	Yes
PCB Retention	Yes
PCB Thickness Recommended (in)	0.051 In
PCB Thickness Recommended (mm)	1.30 mm
Packaging Type	Embossed Tape on Reel
Panel Mount	Yes
Pitch - Mating Interface (in)	0.050 In
Pitch - Mating Interface (mm)	1.27 mm
Pitch - Term. Interface (in)	0.050 In
Pitch - Term. Interface (mm)	1.27 mm
Plating min: Mating (µin)	15
Plating min: Mating (µm)	0.38
Plating min: Termination (µin)	50
Plating min: Termination (µm)	1.27
Polarized to Mating Part	Yes
Polarized to PCB	Yes
Ports	1
Temperature Range - Operating	-35°C to +85°C
Termination Interface: Style	Surface Mount
Waterproof / Dustproof	No

**Electrical**

Current - Maximum per Contact	1.5A
-------------------------------	------



*image - Reference only*

**EU RoHS**

**ELV and RoHS  
Compliant**  
**REACH SVHC  
Not Reviewed**  
**Halogen-Free  
Status  
Not Reviewed**

**China RoHS**



**Need more information on product  
environmental compliance?**

Email [productcompliance@molex.com](mailto:productcompliance@molex.com)  
 For a multiple part number RoHS Certificate of Compliance, [click here](#)

Please visit the [Contact Us](#) section for any non-product compliance questions.

**Search Parts in this Series**

[47391Series](#)

**Mates With**

[68782](#) External Serial ATA Receptacle Cable

Grounding to Panel	Yes
Shielded	Yes
Voltage - Maximum	15V DC

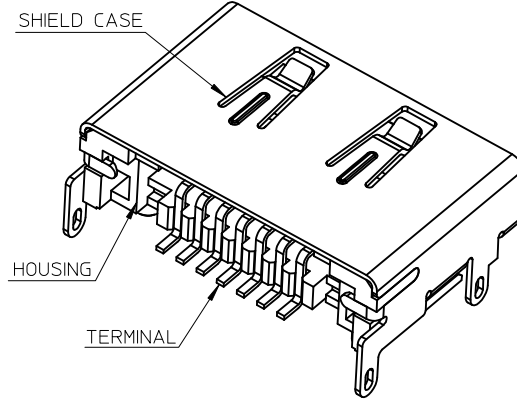
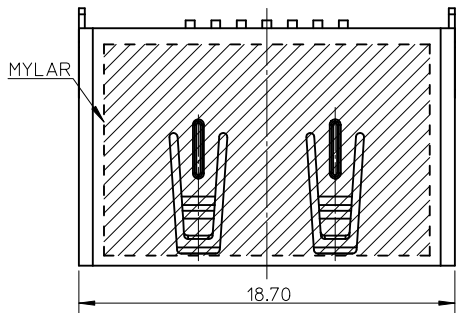
**Material Info**

**Reference - Drawing Numbers**

Packaging Specification	PK-47379-001
Product Specification	PS-47082-001
Sales Drawing	SD-47391-300

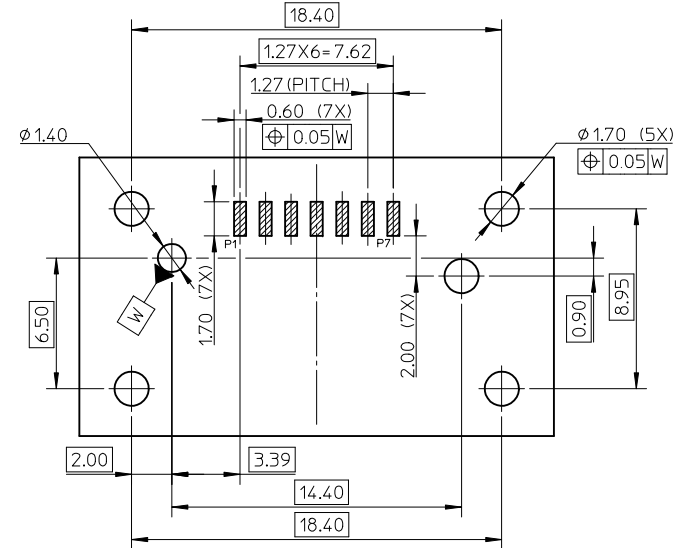
This document was generated on 05/19/2010

**PLEASE CHECK [WWW.MOLEX.COM](http://WWW.MOLEX.COM) FOR LATEST PART INFORMATION**

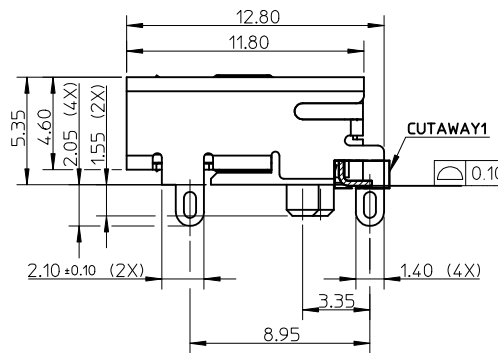
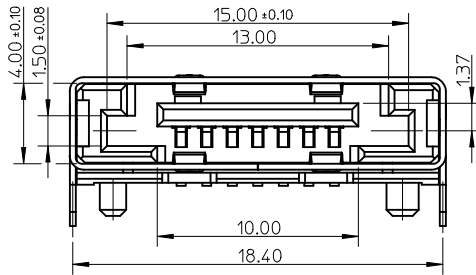


PIN ASSIGNMENT

I/O SATA	
NAME	TYPE
P1	GND
P2	A+
P3	A-
P4	GND
P5	B-
P6	B+
P7	GND



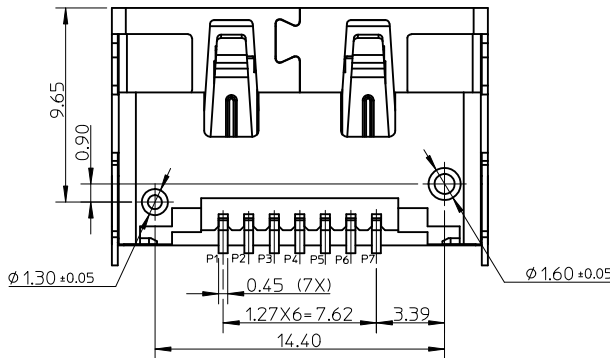
RECOMMEND PCB LAYOUT(CONNECTOR SIDE)  
THICKNESS=1.30 (ALL TOLERANCE: +/-0.05)



NOTES:

- MATERIAL:  
HOUSING: PA6T. COLOR: BLACK, UL94V-0.  
SHIELD CASE: COPPER ALLOY.  
TERMIANL: COPPER ALLOY.
- PLATING:  
SHIELD CASE: 2.54~5.08 MICROMETRE SOLDERABLE NICKEL PLATING OVER ALL.  
TERMINAL: CONTACT AREA GOLD PLATING, DETAIL SEE TABLE,  
SOLDER TAIL 1.27~2.54 MICROMETRE TIN ALLOY PLATING OVER 1.27 MICROMETRE MIN. NICKEL PLATING OVER ALL.
- PRODUCT SPECIFICATION: PS-47082-001.
- PACKAGE SPECIFICATION: PK-47379-001.
- PRODUCT COMPLIANT TO RoHS DIRECTIVE 2002/95/EC AND ELV DIRECTIVE 2000/53/EC.

47391-3002	0.38 MICROMETRE MIN. GOLD
47391-3001	0.76 MICROMETRE MIN. GOLD
47391-3000	GOLD FLASH
PART NO.	CONTACT AREA PLATING



REV	DESCRIPTION	QUALITY SYMBOLS	GENERAL TOLERANCES (UNLESS SPECIFIED)		DIMENSION STYLE		SCALE	DESIGN UNITS	THIRD ANGLE PROJECTION		
			mm	INCH	MM ONLY	4:1	METRIC	⊙ □			
A	NEW RELEASE EC NO: SH2010-0281 DRWN:XQZHANG CHKD:GLLI APPR:XJSONG	$F_A=0$ $F_C=0$ $F_P=0$	4 PLACES	± ---	± ---	DRAWN BY	DATE	TITLE	EXTERNAL SATA PLUG SMT WITH SHELL BOTTOM MOUNT TYPE	MOLEX INCORPORATED DOCUMENT NO. SD-47391-300	SHEET NO. 1 OF 1
			3 PLACES	± ---	± ---	CHECKED BY	DATE				
			2 PLACES	± 0.20	± ---	APPROVED BY	DATE				
			1 PLACE	± 0.25	± ---	XJSONG	2009/09/23				
			ANGULAR ± 3 °			MATERIAL NO.					