

**PLEASE CHECK WWW.MOLEX.COM FOR LATEST PART INFORMATION**

**Part Number:** [1050350001](#)  
**Status:** **Active**  
**Overview:** [usb\\_otg\\_onthego](#)  
**Description:** 0.80mm (.031") Pitch, USB On-The-Go (OTG) Mini-B Receptacle, Mid-Mount, SMT, with Through Hole Solder Tab, 0.76µm (30µ") Gold (Au) Plating, with Mylar, Lead Free

**Documents:**

[3D Model](#) [RoHS Certificate of Compliance \(PDF\)](#)  
[Drawing \(PDF\)](#)

**General**

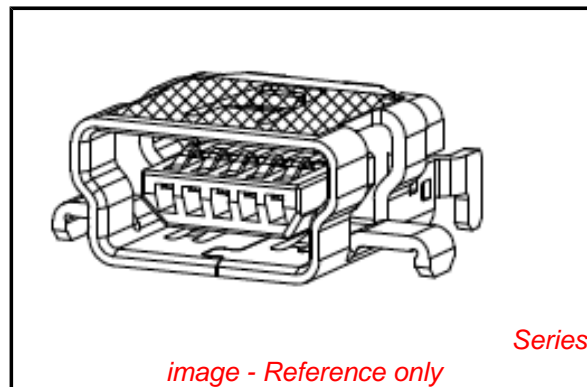
Product Family	I/O Connectors
Series	<a href="#">105035</a>
Application	Wire-to-Board
Comments	Mid Mount Type
Component Type	Receptacle
Overview	<a href="#">usb_otg_onthego</a>
Product Name	USB OTG (On-The-Go)
Type	Mini-B

**Physical**

Boot Color	N/A
Circuits (Loaded)	5
Circuits (maximum)	5
Color - Resin	Black
Gender	Male
Keying to Mating Part	Yes
Lock to Mating Part	Yes
Material - Metal	Copper Alloy
Material - Plating Mating	Gold
Material - Plating Termination	Tin
Material - Resin	High Temperature Thermoplastic
Number of Rows	1
Orientation	Right Angle
PCB Locator	Yes
PCB Retention	Yes
Packaging Type	Embossed Tape on Reel
Panel Mount	No
Pitch - Mating Interface (in)	0.031 In
Pitch - Mating Interface (mm)	0.80 mm
Pitch - Term. Interface (in)	0.031 In
Pitch - Term. Interface (mm)	0.80 mm
Plating min: Mating (µin)	30
Plating min: Mating (µm)	0.75
Plating min: Termination (µin)	80
Plating min: Termination (µm)	2.00
Polarized to Mating Part	Yes
Polarized to PCB	Yes
Ports	1
Temperature Range - Operating	0°C to +50°C
Termination Interface: Style	Surface Mount
Waterproof / Dustproof	No
Wire Size AWG	N/A

**Electrical**

Current - Maximum per Contact	1A
-------------------------------	----



**EU RoHS**

**ELV and RoHS  
Compliant**  
**REACH SVHC**  
 Not Reviewed  
**Halogen-Free  
Status**

**China RoHS**



**Need more information on product  
environmental compliance?**

Email [productcompliance@molex.com](mailto:productcompliance@molex.com)  
 For a multiple part number RoHS Certificate of Compliance, [click here](#)

Please visit the [Contact Us](#) section for any non-product compliance questions.

**Search Parts in this Series**

[105035Series](#)

**Mates With**

[47014 USB Mini-B Plug Kit](#)

Grounding to Panel	Yes
Shield Type	Full Shield
Shielded	Yes
Voltage - Maximum	30V

#### **Solder Process Data**

Duration at Max. Process Temperature (seconds)	10
Lead-free Process Capability	Reflow Capable (SMT only)
Max. Cycles at Max. Process Temperature	1
Process Temperature max. C	250

#### **Material Info**

#### **Reference - Drawing Numbers**

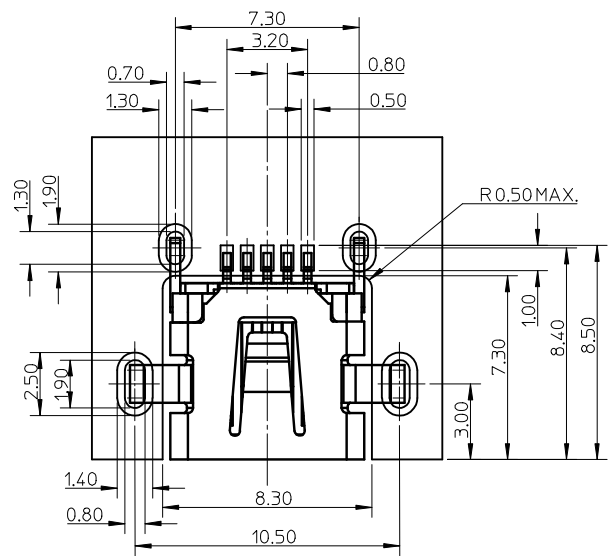
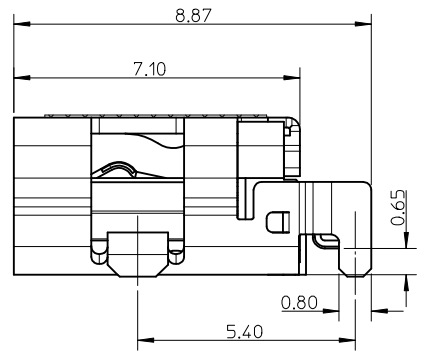
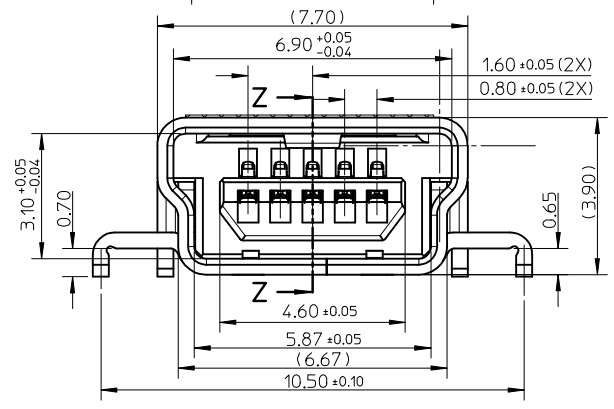
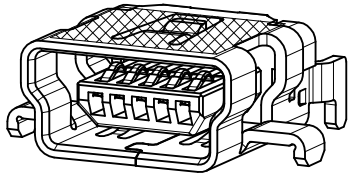
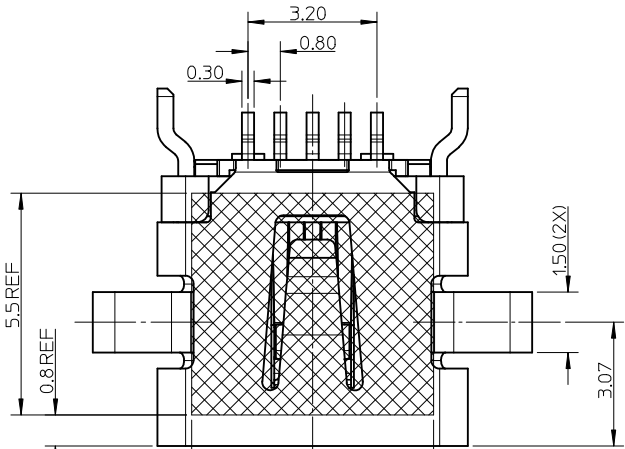
Packaging Specification	PK-105035-001
Sales Drawing	SD-105035-001

This document was generated on 05/31/2010

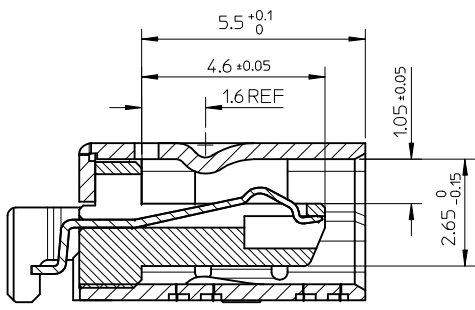
**PLEASE CHECK [WWW.MOLEX.COM](http://WWW.MOLEX.COM) FOR LATEST PART INFORMATION**

NOTE :

- 1. MATERIAL :  
 HOUSING : LCP GLASS FILLED , BLACK,UL94V-0  
 TERMINAL : COPPER ALLOY THICKNESS = 0.2 MM  
 SHIELD CASE : STAINLESS STEEL THICKNESS = 0.4 MM
- 2. PLATING :  
 TERMINAL:  
 CONTACT AREA : GOLD 0.76 MICRON MINIMUM.  
 SOLDER TAIL AREA : MATTE TIN 2.0 MICRON MINIMUM.  
 UNDER PLATING : NICKEL 1.25 MICRON MINIMUM.  
 SHIELD CASE :  
 MATTE TIN 2.0 MICRON MINIMUM.  
 UNDER PLATING : NICKEL 1.25 MICRON MINIMUM.
- 3. COPLANARITY: 0.08 mm MAXIMUM AMONG 5 SOLDER TAILS.
- 4. PRODUCT SPEC. : PS-67803-001,PACKING SPEC. : PK-105035-001
- 5. COMPLIANT TO RoHS DIRECTIVE 2002/95/EC  
 AND ELV DIRECTIVE 2000/53/EC.



RECOMMEND PCB LAYOUT  
 GENERAL TOLERANCE : ±0.05



SECTION Z-Z

REVISE EC NO: SHZ010-0105 DRWN: XJSONG CHKD: APPR: RZHANG 2009/09/18 2009/09/22 2009/10/14	QUALITY SYMBOLS	GENERAL TOLERANCES (UNLESS SPECIFIED)	DIMENSION STYLE	SCALE	DESIGN UNITS	THIRD ANGLE PROJECTION
	▼=0 ◻=0	mm    INCH 4 PLACES ± --- ± --- 3 PLACES ± --- ± --- 2 PLACES ± 0.25 ± --- 1 PLACE ± 0.25 ± --- ANGULAR ± 3 °	MM ONLY	1:1	METRIC	
		DRAFT WHERE APPLICABLE MUST REMAIN WITHIN DIMENSIONS	DRAWN BY DATE	TITLE		
			CHECKED BY DATE	MINI USB B RECEPTACLE MIDDLE MOUNT		
		APPROVED BY DATE	MOLEX INCORPORATED			
		MATERIAL NO.	105035-0001		DOCUMENT NO.	SD-105035-001
		SIZE	THIS DRAWING CONTAINS INFORMATION THAT IS PROPRIETARY TO MOLEX INCORPORATED AND SHOULD NOT BE USED WITHOUT WRITTEN PERMISSION			
			A3		SHEET NO.	1 OF 1