

PLEASE CHECK WWW.MOLEX.COM FOR LATEST PART INFORMATION

Part Number: [0855115002](#)
Status: **Active**
Overview: [modular_plugs_jacks](#)
Description: Modular Jack, Vertical, 8/8, Cat5E, Special Version

Documents:

[3D Model](#) [Product Specification PS-95003 \(PDF\)](#)
[Drawing \(PDF\)](#) [RoHS Certificate of Compliance \(PDF\)](#)
[Product Specification PS-85505 \(PDF\)](#)

Agency Certification

UL E107635

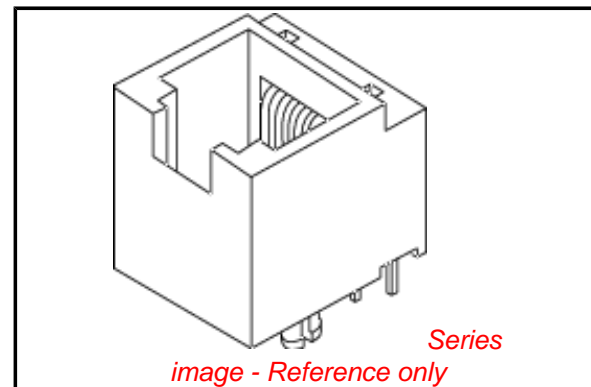
General

Product Family Modular Jacks/Plugs
 Series [85511](#)
 Comments Small Panel Cutout|Snap Pegs
 Component Type PCB Jack
 Magnetic No
 Overview [modular_plugs_jacks](#)
 Performance Category 5e
 Power over Ethernet (PoE) N/A
 Product Name RJ45

Physical

Color - Resin Black
 Durability (mating cycles max) 1,000
 Flammability 94V-0
 Inverted / Top Latch No
 Lightpipes/LEDs None
 Material - Metal Phosphor Bronze
 Material - Plating Mating Gold
 Material - Plating Termination Tin
 Material - Resin High Temperature Thermoplastic
 Orientation Vertical (Top Entry)
 PCB Locator Yes
 PCB Retention Yes
 PCB Thickness Recommended (in) 0.062 In
 PCB Thickness Recommended (mm) 1.60 mm
 Packaging Type Tray
 Pitch - Mating Interface (in) 0.050 In
 Pitch - Mating Interface (mm) 1.27 mm
 Pitch - Term. Interface (in) 0.050 In
 Pitch - Term. Interface (mm) 1.27 mm
 Plating min: Mating (µin) 1.27
 Plating min: Mating (µm) 50
 Plating min: Termination (µin) 1.27
 Plating min: Termination (µm) 75
 Ports 1
 Positions / Loaded Contacts 8/8
 Surface Mount Compatible (SMC) No
 Temperature Range - Operating -40°C to +80°C
 Termination Interface: Style Through Hole
 Wire/Cable Type N/A

Electrical



EU RoHS

**ELV and RoHS
Compliant**
**REACH SVHC
Contains SVHC: No**
**Halogen-Free
Status
Not Reviewed**

China RoHS



**Need more information on product
environmental compliance?**

Email productcompliance@molex.com
 For a multiple part number RoHS Certificate of
 Compliance, [click here](#)

Please visit the [Contact Us](#) section for any
 non-product compliance questions.

Search Parts in this Series

[85511Series](#)

Mates With

FCC 68 Plugs

Current - Maximum per Contact	1.5A
Shielded	No
Voltage - Maximum	125V

Material Info

Reference - Drawing Numbers

Packaging Specification	PK-95003
Product Specification	PS-85505, PS-95003
Sales Drawing	SD-85511-502

This document was generated on 06/07/2010

PLEASE CHECK WWW.MOLEX.COM FOR LATEST PART INFORMATION

NOTES :

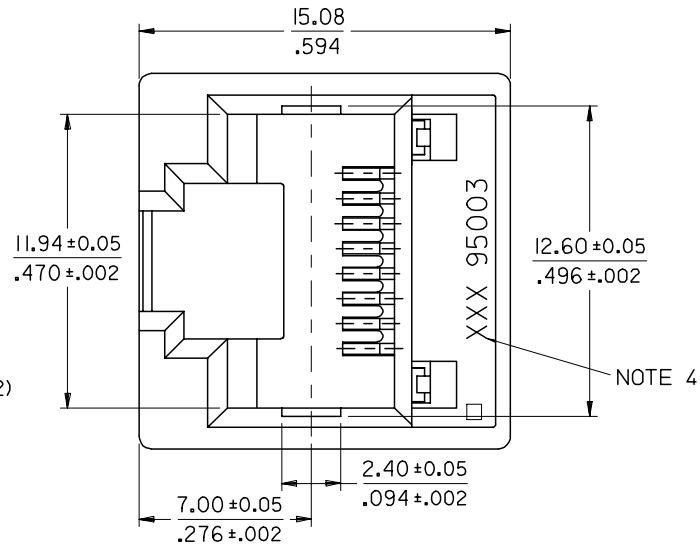
1- MATERIAL:

- HOUSING: LCP FIBER GLASS FILLED UL 94-V0
COLOR BLACK.
- TERMINAL: PHOSPHOR BRONZE.

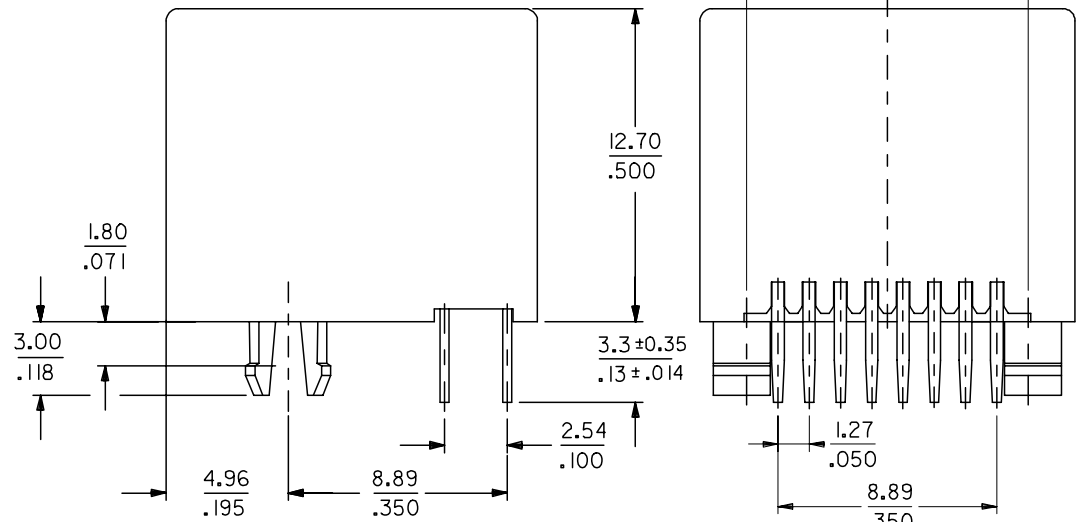
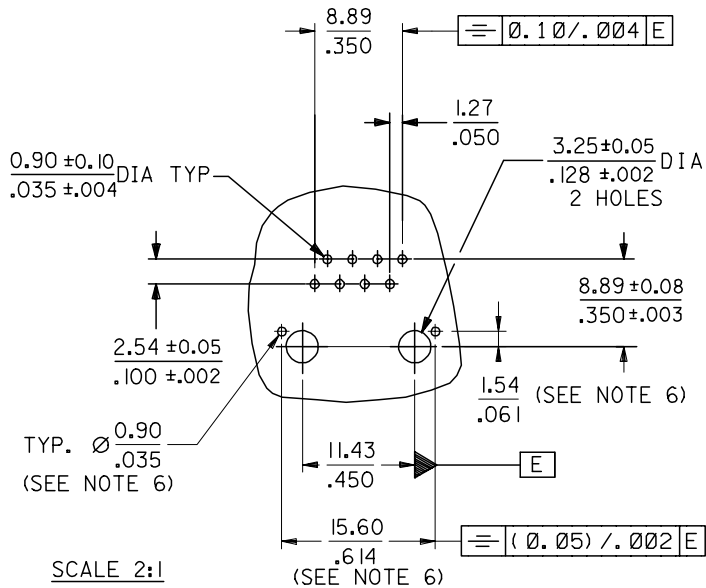
PLATING :

POST PLATE 0.00127-0.00152/.000050-.000060 GOLD IN CONTACT AREA , 0.00190/.000075 MIN. PURE TIN IN TAIL AREA BOTH OVER 0.00127/.000050 MIN. NICKEL OVERALL.

- 2- JACK FOR MATING WITH F.C.C. 68 PLUGS (90075 MOLEX SERIES.)
- 3- PRODUCT SPECIFICATION PS-95503-001 AND PS-85505-001 (SECTION 5.2)
- 4- MANUFACTURING I.D. CAN BE MG, MXF OR MXI.
- 5- PACKAGING SPECIFICATION PK-95003: SHEET 1 (TRAY PACKAGING)
- 6- THESE 3 DIMENSIONS ARE ONLY ADVISED AND DEPEND ON THE SHIELD TO BE ADDED.
- 7- EXCEEDS CATEGORY 5E PERFORMANCE.
- 8- APPLICATION SPECIFICATION: AS-85513-001



P.C.B. MOUNTING PATTERN
(see from component side)



ORIGINAL LCP EC NO: E2007-0837 DRWN:DBYRNES 2007/04/02 CHKD: 2007/04/02 APPR:DBYRNES 2007/04/04	QUALITY SYMBOLS ▽ = ▽ =	GENERAL TOLERANCES (UNLESS SPECIFIED)		DIMENSION STYLE MM/IN		SCALE 5:1	DESIGN UNITS METRIC	THIRD ANGLE PROJECTION	
		3 PLACES ± --- ± --- 3 PLACES ± --- ± .006 2 PLACES ± 0.15 ± .010 1 PLACE ± 0.25 ± --- ANGULAR ±1/2°	DRAWN BY HB 00/04/14 CHECKED BY ER 00/04/14 APPROVED BY FB 00/04/14	TITLE SHORT TOP ENTRY HIGH SPEED JACK 8/8 (SPECIAL VERSION)		MOLEX INCORPORATED		DOCUMENT NO. SD-85511-502	
DRAFT WHERE APPLICABLE MUST REMAIN WITHIN DIMENSIONS		MATERIAL NO. 85511-5002		THIS DRAWING CONTAINS INFORMATION THAT IS PROPRIETARY TO MOLEX INCORPORATED AND SHOULD NOT BE USED WITHOUT WRITTEN PERMISSION					