

PLEASE CHECK WWW.MOLEX.COM FOR LATEST PART INFORMATION

Part Number: [1200905071](#)
Status: **Active**
Overview: [nanochange 40m841 products](#)
Description: Nano-Change® (M8) Receptacle, M8 x 0.5 Mounting Threads, Straight Female, Male 0.30m (11.81") Length, with 3 Poles on Mating Side

Documents:

[Drawing \(PDF\)](#) [RoHS Certificate of Compliance \(PDF\)](#)

General

Product Family	Industrial Receptacles
Series	120090
IP Rating	IP67
NEMA Rating	NEMA 6
Overview	nanochange 40m841 products
Product Name	Nano-Change® (M8)
Type	Single Ended (pigtail)

Physical

Coupling Type	Internal Thread
Gender	Female
Keyway	None
Length	0.20m (7.87")
Material - Component	Nickel-plated Brass
Mounting Thread Size	M8 x 0.5
Orientation	Straight
Panel Mount	Back, Front
Poles	3
Temperature Range - Operating	-25°C to +90°C
Wire Size AWG	24
Wire/Cable Type	Leads

Electrical

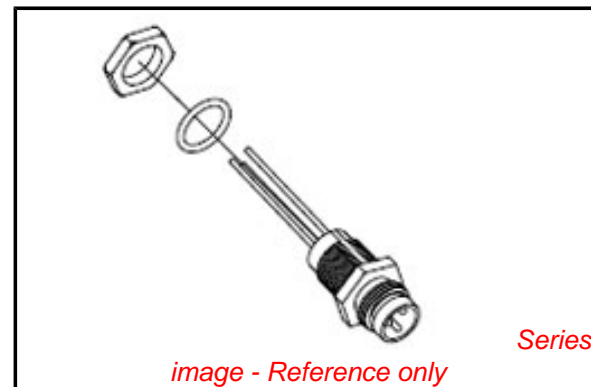
Current - Maximum per Contact	4A
Voltage - Maximum	60V AC / 75V DC

Material Info

Old Part Number	4R3F30E02C200
-----------------	---------------

Reference - Drawing Numbers

Sales Drawing	SD-120090-002
---------------	---------------



EU RoHS

**ELV and RoHS
Compliant
REACH SVHC
Not Reviewed
Halogen-Free
Status**

China RoHS



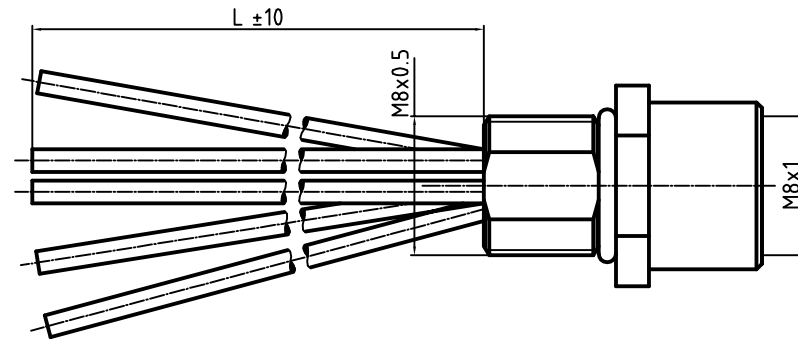
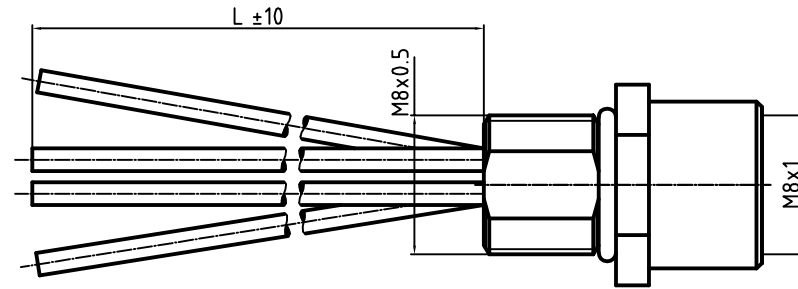
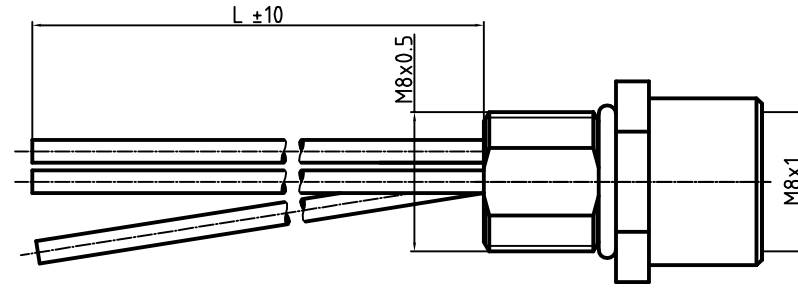
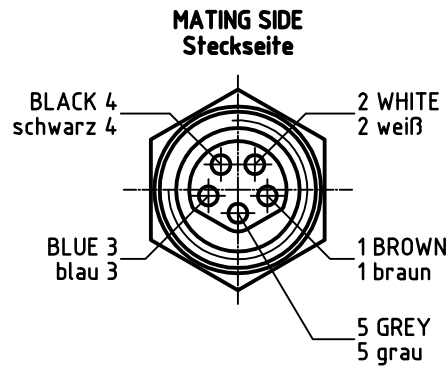
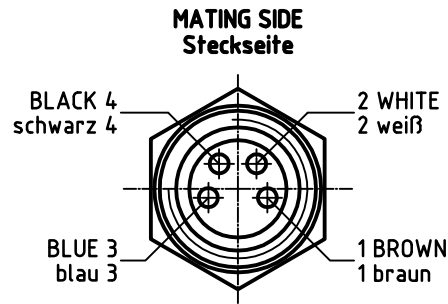
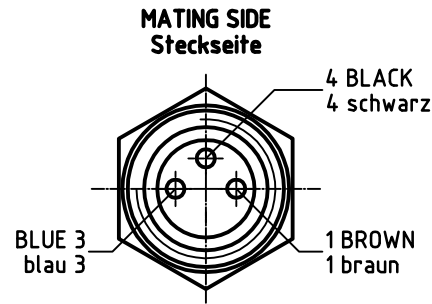
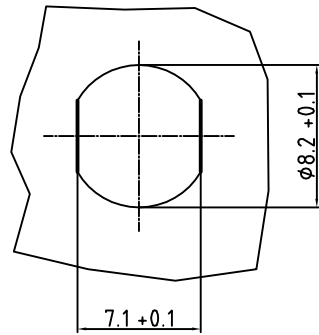
**Need more information on product
environmental compliance?**

Email productcompliance@molex.com
 For a multiple part number RoHS Certificate of
 Compliance, [click here](#)

Please visit the [Contact Us](#) section for any
 non-product compliance questions.

Search Parts in this Series
[120090Series](#)

MOUNTING HOLE
Montageausschnitt



NOTES / Bemerkung:

1	CRIMP CONTACT Crimp Kontakt	WN-00003
2	CABLE LENGTH TOLERANCE Kabellängentoleranz	WN-00004
3	POTTING Verguss	ES-120000-019
4	PACKAGING FOR RECEPTACLE Verpackung für Gerätestecker	PK-120000-018
5	PIN-ASSIGNMENT Pin-Belegung	IEC 61076-2-104
6	WINDING SPECIFICATION Wickelvorschrift	ES-120000-020

SAP-NUMBER SAP-Nummer	OLD MATERIAL-NO. alte Artikel-Nr.	LENGTH Länge	REPLACED Ersatz für
1200905071	4R3F30E02C200	0.2 M	0908 031GF 09000
1200905102	4R3F30E02C500	0.5 M	0908 031GF 09003
1200905076	4R4F30E02C200	0.2 M	0908 041GF 09000
1200905106	4R5F30E02C200	0.2 M	0908 051GF 09000

DESCRIPTION EC NO.: WEU2009-0457 DRWN: BBRAUCH CH'KD: --- APPR: JKOLB	6/19/09 2009/09/15	QUALITY SYMBOLS = 0 = 0
---	-----------------------	----------------------------------

GENERAL TOLERANCES (UNLESS SPECIFIED)	DIMENSION STYLE	
	mm	INCH
4 PLACES	±---	±---
3 PLACES	±---	±---
2 PLACES	±0.05	±---
1 PLACE	±0.1	±---
ANGULAR ± ---- °		
DRAFT WHERE APPLICABLE MUST REMAIN WITHIN DIMENSIONS		

DIMENSION STYLE MM	
DRAWN BY BB	DATE 2009/06/19
CHECKED BY JKO	DATE 2009/08/05
APPROVED BY FP	DATE 2009/08/05
MATERIAL NO. see table	
SIZE A3	THIS DRAWING CONTAINS INFORMATION THAT IS PROPRIETARY TO MOLEX INCORPORATED AND SHOULD NOT BE USED WITHOUT WRITTEN PERMISSION

SCALE 2:1	DESIGN UNITS METRIC	FIRST ANGLE PROJECTION
M8 FEMALE RECEPTACLES-XM M8 GERAETEBUCHSE-XM		
MOLEX INCORPORATED		
DOCUMENT NO. SD-120090-002	SHEET NO. 1 OF 1	