

# Series USB-A

## Universal Serial Bus, Type A - 90° Receptacle (TH)

### Specifications

Insulation Resistance:	1,000MΩ min.
Current Rating:	1A
Voltage Rating:	30V ACrms
Contact Resistance:	30mΩ max. (initial)
Withstanding Voltage:	500V AC

### Part Numbers (Single Port)

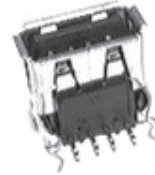
USB-A-001A

USB-A-001A-30\*

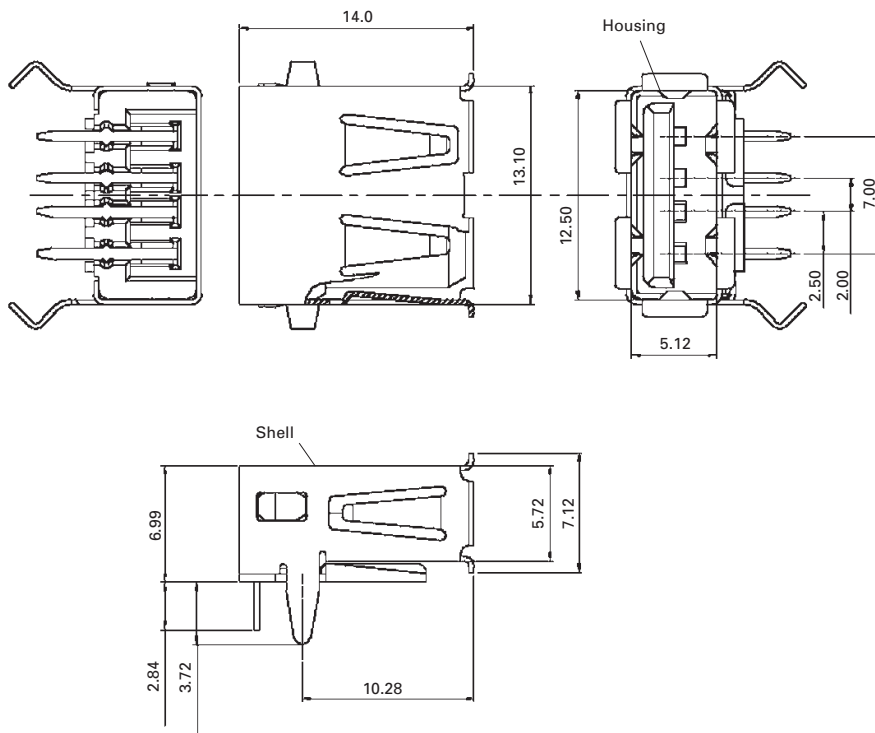
\* see Materials and Finish

### Materials and Finish

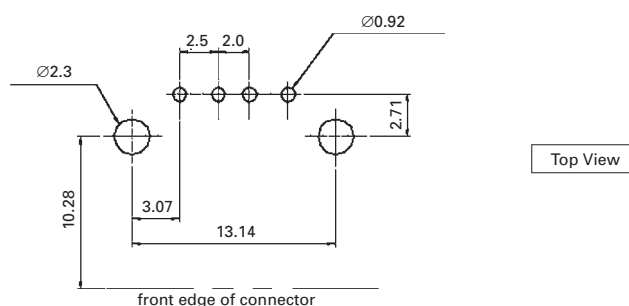
Housing:	PBT, Glass Filled (UL94V-0)
Shell:	Copper Alloy, Ni plated
Contacts:	Copper Alloy
Contact Plating:	Solder Terminal - Sn over Ni
Mating Area	- USB-A-001A = Au Flash over Ni
	- USB-A-001A-30 = 30μ" Au over Ni



### Single Port Type (USB-A-001A)



### Recommended PCB Layout



USB (Universal Serial Bus and IEEE 1394)

#### Specifications

Insulation Resistance:	1,000 MΩ min.
Current Rating:	1A
Voltage Rating:	30V ACrms max.
Contact Resistance:	30 mΩ max.
Withstanding Voltage:	500V AC for 1 minute

#### Part Numbers (Dual Port)

USB-A-002A

\*USB-A-002A-30

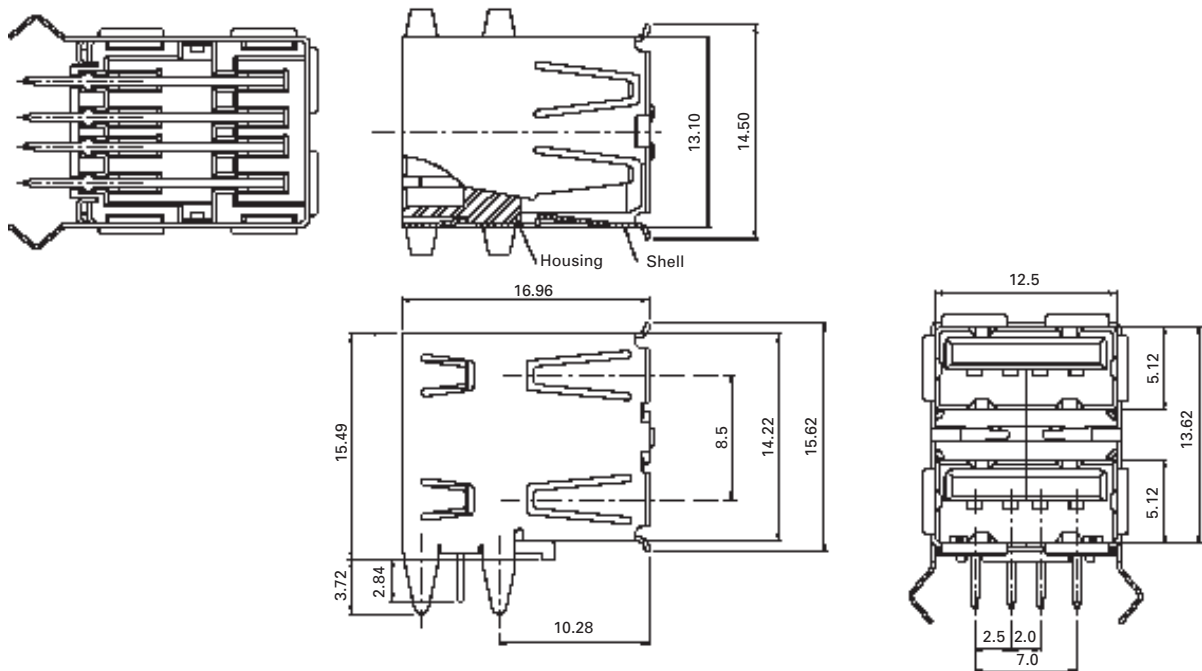
\* see Materials and Finish

#### Materials and Finish

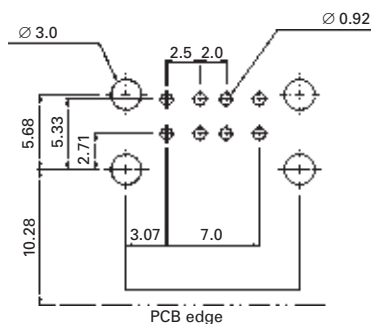
Housing:	PBT Glass Filled UL94V-0
Shell:	Copper Alloy, Nickel Plated
Contacts:	Copper Alloy
Contact Plating:	Solder Terminal - Sn over Ni
Mating Area	- USB-A-002A = Au Flash over Ni
	- USB-A-002A-30 = 30μ" Au over Ni



#### Double Port Type (USB-A-002A)



#### Recommended PCB Layout



Top View