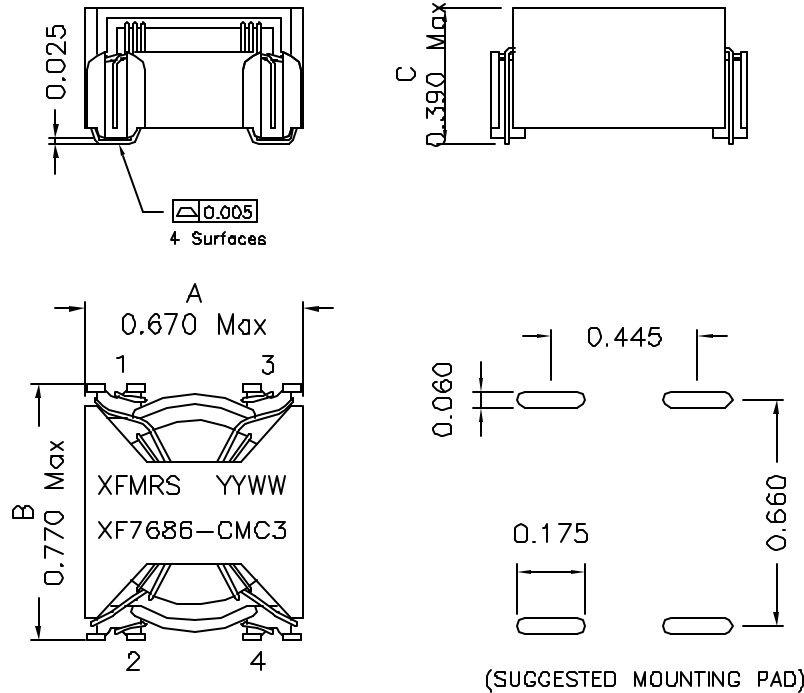
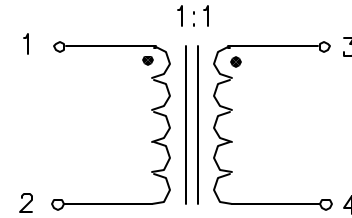


1. Mechanical Dimensions:



2. Schematic:

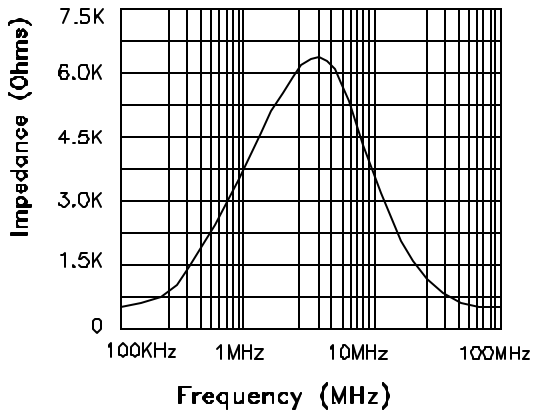


3. Electrical Specification:

TURNS RATIO: 1:1
 OCL: 0.768mH ±25% @10KHz 1.0V each
 DCR: 0.040 OHMS Max each
 Rated Current (For 55c Rise): 4.7 A
 HIPOT: 1000Vrms (wdg. to wdg.)

Notes:

1. Solderability: Leads shall meet MIL-STD-202G, Method 208H for solderability.
2. Flammability: UL94V-0
3. ASTM oxygen index: > 28%
4. Insulation System: Class F 155°C. UL file E151556
5. Operating Temperature Range: All listed parameters are to be within tolerance from -40°C to +85°C
6. Storage Temperature Range: -55°C to +125°C
7. Aqueous wash compatible
8. SMD Lead Coplanarity: ±0.004" (0.102mm)
9. Electrical and mechanical specifications 100% tested
10. RoHS Compliant Component



DOC. REV A/6

XFMRs Inc. www.XFMRs.com	Title: TRANSFORMER		
	UNLESS OTHERWISE SPECIFIED TOLERANCES:		P/N: XF7686-CMC3
.xxx ±0.010 INCH	DWN.	Juan Mao	May-06-08
Dimensions in INCH	CHK.	YK Liao	May-06-08
SHEET 1 OF 1	APP.	BW	May-06-08