

**PLEASE CHECK WWW.MOLEX.COM FOR LATEST PART INFORMATION**

**Part Number:** [0192150037](#)  
**Status:** **Active**  
**Description:** Step Down Butt Splice for 8-12 AWG Wire

**Documents:**

[Drawing \(PDF\)](#) [RoHS Certificate of Compliance \(PDF\)](#)

**Agency Certification**

CSA LR18689  
 UL E32244

**General**

Product Family Splices  
 Series [19215](#)  
 Comments Step down: 8 to 10/12 AWG  
 Crimp Quality Equipment Yes  
 Mil-Spec N/A  
 Product Name Butt - Step Down

**Physical**

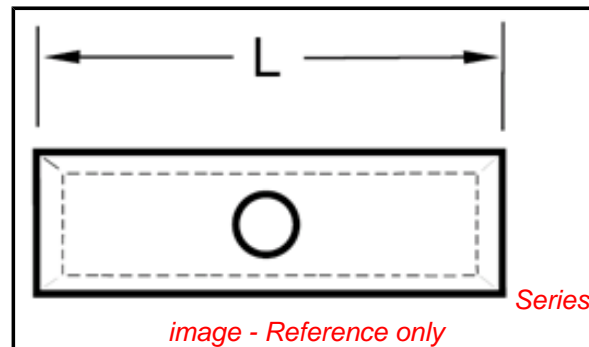
Barrel Type Closed  
 Insulation None  
 Packaging Type Bag  
 Temperature Range - Operating 149°C  
 Wire Insulation Diameter N/A  
 Wire Size AWG 10, 2, 8  
 Wire Size mm<sup>2</sup> N/A

**Material Info**

Old Part Number DC-354

**Reference - Drawing Numbers**

Sales Drawing SD-19215-004



**EU RoHS**

**ELV and RoHS Compliant**

**REACH SVHC**

Not Reviewed

**Halogen-Free**

**Status**

**Not Reviewed**

**China RoHS**



**Need more information on product environmental compliance?**

Email [productcompliance@molex.com](mailto:productcompliance@molex.com)  
 For a multiple part number RoHS Certificate of Compliance, [click here](#)

Please visit the [Contact Us](#) section for any non-product compliance questions.

**Search Parts in this Series**

[19215Series](#)

**Application Tooling | FAQ**

*Tooling specifications and manuals are found by selecting the products below. Crimp Height Specifications are then contained in the Application Tooling Specification document.*

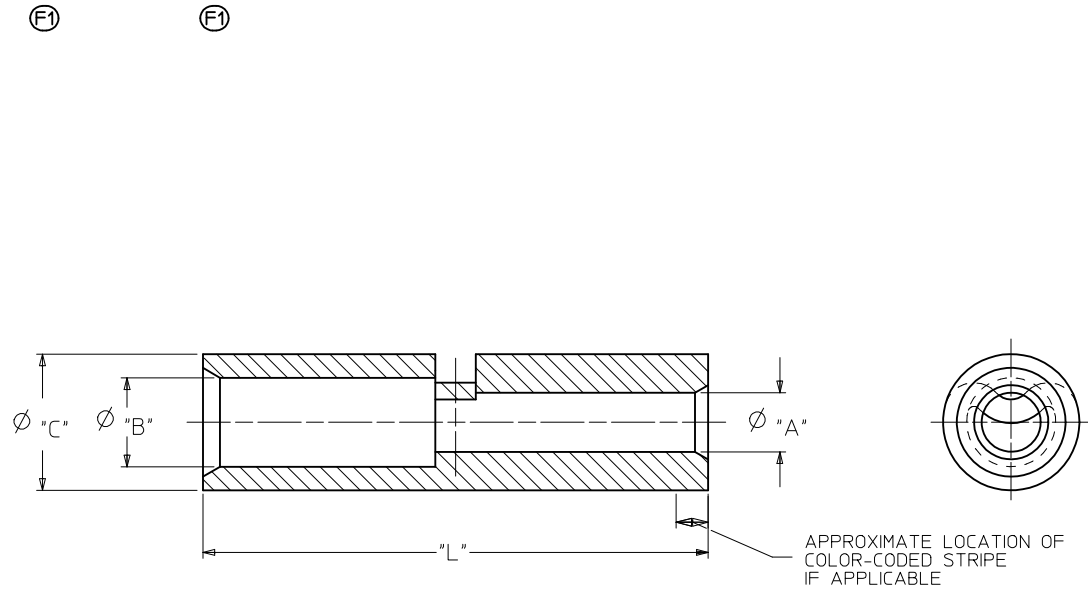
**Global**

Description	Product #
Manual Putt Pump Hydraulic System, Die set required	<a href="#">0192860117</a>
Die Set (large) for the HHLS Hydraulic Crimper	<a href="#">0192900001</a>
Hand Crimp Tool	<a href="#">0640013900</a>
Crimp Head for the AT-200™ Pneumatic Hand Tool	<a href="#">0640074400</a>
Putt Pump Dieless Head System	<a href="#">0192860065</a>

This document was generated on 03/16/2010

**PLEASE CHECK [WWW.MOLEX.COM](http://WWW.MOLEX.COM) FOR LATEST PART INFORMATION**

10	9	8	7	6	5	4	3	2	19215	
MATERIAL NUMBER	ENG. NUMBER	CODE STRIPE COLOR	"A"		"B"		"C" MAX.	"L" MAX.	CMA RANGE	
			AWG.	MIN. DIA.	AWG.	MIN. DIA.			LARGE I.D. TO	SMALL I.D.
I92150013	BA-331	RED	22-18	.071/1.80	16-14	.088/2.24	.160/4.06	.675/17.15	2050-5180	TO 509-2600
I92150023	CB-346	BLUE	16-14	.097/2.46	12-10	.137/3.48	.223/5.66	.827/21.0	5180-13,100	TO 2050-5180
I92150037	DC-354	YELLOW	12-10	.139/3.53	#8	.172/4.37	.291/7.39	.854/21.69	13,100-20,800	TO 5180-13,100
I92150042	ED-362	RED	#8	.182/4.62	#6	.237/6.02	.375/9.53	1.045/26.54	20,800-33,100	TO 13,100-20800



# SALES DRAWING

- NOTES:
- MATERIAL: COPPER  
FINISH: ELECTRO-TIN
  - DELETED
  - PART IS ROHS COMPLIANT.

<b>CORRECTED DIMS</b> EC NO: WNA2010-0735 DRW: HETHRODAHL 2010/05/26 CHKD: JMAGNEIL 2010/05/26 APPR: JMAGNEIL 2010/06/04	QUALITY SYMBOLS	GENERAL TOLERANCES (UNLESS SPECIFIED)	DIMENSION STYLE	SCALE	DESIGN UNITS	THIRD ANGLE PROJECTION
	▽=0	mm INCH	IN/MM	5:1	INCH	
	▽=0	4 PLACES ± --- ± ---	DRAWN BY DATE			
		3 PLACES ± --- ± ---	RMARSHALL 91/10/28			
	2 PLACES ± --- ± ---	CHECKED BY DATE				STEP DOWN BUTT CONNECTOR VERSAKRIMP
	1 PLACE ± --- ± ---	RDEROSS 91/10/28				
	ANGULAR ± --- °	APPROVED BY DATE				MOLEX INCORPORATED
		RDEROSS 91/10/28				
		MATERIAL NO.	SEE CHART	DOCUMENT NO.		SHEET NO.
		SIZE	B	SD-19215-004		1 OF 1
		THIS DRAWING CONTAINS INFORMATION THAT IS PROPRIETARY TO MOLEX INCORPORATED AND SHOULD NOT BE USED WITHOUT WRITTEN PERMISSION				