

PLEASE CHECK WWW.MOLEX.COM FOR LATEST PART INFORMATION

Part Number: [0701070019](#)
Status: **Active**
Overview: [cgrid_sl_products](#)
Description: 2.54mm (.100") Pitch SL™ Wire-to-Wire Crimp Housing, Single Row, Version A, without Mounting Ears, 20 Circuits

Documents:

[3D Model](#) [Product Specification PS-70400 \(PDF\)](#)
[Drawing \(PDF\)](#) [RoHS Certificate of Compliance \(PDF\)](#)

Agency Certification

CSA LR19980
TUV R72081037
UL E29179

General

Product Family Crimp Housings
Series [70107](#)
Comments Version A
Overview [cgrid_sl_products](#)
Product Name SL™

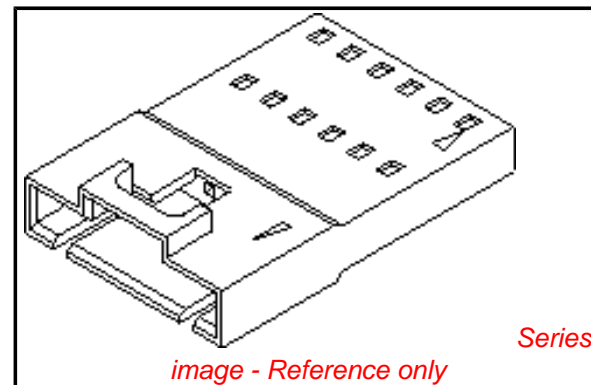
Physical

Circuits (maximum) 20
Color - Resin Black
Flammability 94V-0
Gender Female
Glow-Wire Compliant No
Material - Resin Polyester
Number of Rows 1
Packaging Type Bag
Panel Mount No
Pitch - Mating Interface (in) 0.100 In
Pitch - Mating Interface (mm) 2.54 mm
Stackable No
Temperature Range - Operating -40°C to +105°C

Material Info

Reference - Drawing Numbers

Packaging Specification PK-70107-100
Product Specification PS-70400
Sales Drawing SD-70107-0001-0024



EU RoHS

ELV and RoHS Compliant
REACH SVHC Contains SVHC: No
Halogen-Free Status
Not Reviewed

China RoHS



Need more information on product environmental compliance?

Email productcompliance@molex.com
For a multiple part number RoHS Certificate of Compliance, [click here](#)

Please visit the [Contact Us](#) section for any non-product compliance questions.

Search Parts in this Series

[70107Series](#)

Mates With

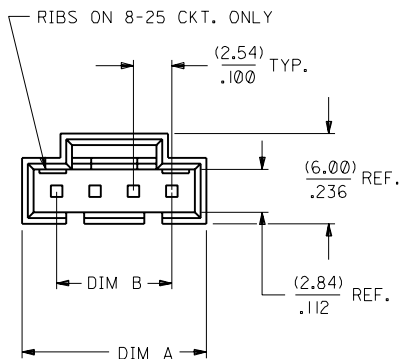
[70400G](#) ,, [70066g](#) Housing, [70430g](#) Receptacle

Use With

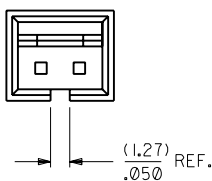
[70021](#)

NOTES:

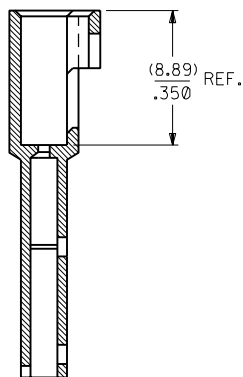
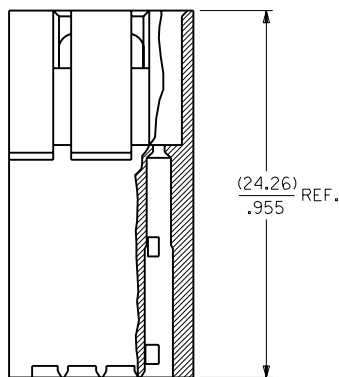
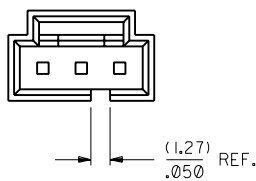
- 1) MATERIAL: GLASS FILLED POLYESTER, UL 94V-0
COLOR: BLACK
- 2) HOUSING TO BE USED WITH TERMINAL
PT. NO. 70021-****.
- 3) SEE CHART FOR CIRCUIT SIZES.
- 4) TO BE USED WITH 70400 SERIES
CONNECTORS (STYLE "G").
- 5) PACKAGE PER PK-70107-100.



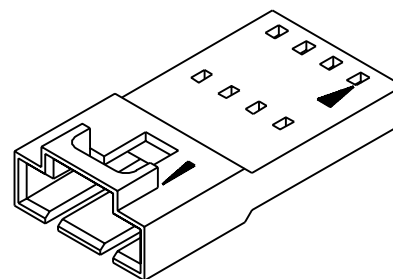
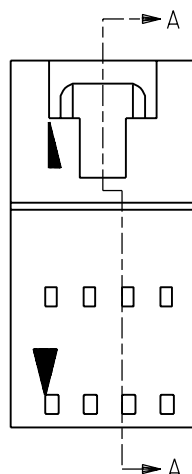
2 CIRCUIT



3 CIRCUIT



SECTION A-A



CKT. SIZE	EDP. NO.	ENG. NO.	A	B
2	701-07-0001	70107-0001	(7.11) .280	(2.54) .100
3	701-07-0002	70107-0002	(9.65) .380	(5.08) .200
4	701-07-0003	70107-0003	(12.19) .480	(7.62) .300
5	701-07-0004	70107-0004	(14.73) .580	(10.16) .400
6	701-07-0005	70107-0005	(17.27) .680	(12.70) .500
7	701-07-0006	70107-0006	(19.81) .780	(15.24) .600
8	701-07-0007	70107-0007	(22.35) .880	(17.78) .700
9	701-07-0008	70107-0008	(24.89) .980	(20.32) .800
10	701-07-0009	70107-0009	(27.43) 1.080	(22.86) .900
11	701-07-0010	70107-0010	(29.97) 1.180	(25.40) 1.000
12	701-07-0011	70107-0011	(32.51) 1.280	(27.94) 1.100
13	701-07-0012	70107-0012	(35.05) 1.380	(30.48) 1.200
14	701-07-0013	70107-0013	(37.59) 1.480	(33.02) 1.300
15	701-07-0014	70107-0014	(40.13) 1.580	(35.56) 1.400
16	701-07-0015	70107-0015	(42.67) 1.680	(38.10) 1.500
17	701-07-0016	70107-0016	(45.21) 1.780	(40.64) 1.600
18	701-07-0017	70107-0017	(47.75) 1.880	(43.18) 1.700
19	701-07-0018	70107-0018	(50.29) 1.980	(45.72) 1.800
20	701-07-0019	70107-0019	(52.83) 2.080	(48.26) 1.900
21	701-07-0020	70107-0020	(55.37) 2.180	(50.80) 2.000
22	701-07-0021	70107-0021	(57.91) 2.280	(53.34) 2.100
23	701-07-0022	70107-0022	(60.45) 2.380	(55.88) 2.200
24	701-07-0023	70107-0023	(62.99) 2.480	(58.42) 2.300
25	701-07-0024	70107-0024	(65.53) 2.580	(60.96) 2.400

H ADD PKG NOTE PER UDT2000-0468 SCHAFER 99/12/1		DIMENSIONS SHOWN (METRIC) INCH UNLESS OTHERWISE SPECIFIED TOLERANCES: ANGULAR ± 1/2°		MFG, SH, REV.	
I I FIXED REV BLOCK I TO CORRECT ECR * PER UDT2002-0499 KSTILES 01/09/25		G REVISE PER ECR #J81037 2/22/88 MJM		5 PLACE ± .010 --- 2 PLACE ± .014 ± 0.25 1 PLACE --- ± 0.35	
I CHANGED MATERIAL AND SWITCHED A AND B DIMS PER UDT2002-0007 KSTILES 01/07/17		F REDRAWN ON CAD ADD SHEET 2 PER ECR #9280 8/21/86 MJM		DRAFT WHERE APPLICABLE MUST REMAIN WITHIN DIMENSIONS	
LTR. REVISIONS		LTR. REVISIONS		DRWG. NO. SD-70107-0001-0024 FILE NAME S70107X01 APP'D. BY WAZ SCALE 4 : 1 DIV. 12 DATE 07/02/86 SHEET NO. 1 MOLEX INCORPORATED U.S.A. LISLE, ILL. 60532	