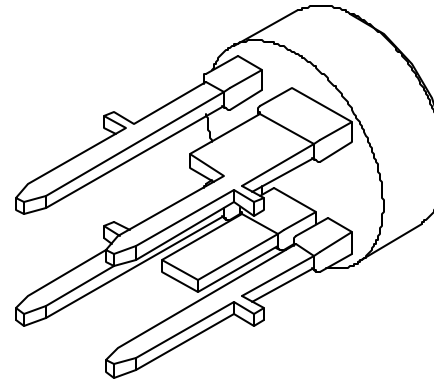


CAUTION: SENSITIVE DEVICE
FOLLOW PROPER E.S.D. HANDLING PROCEDURES
WHEN HANDLING THIS PART.

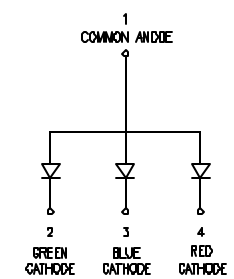
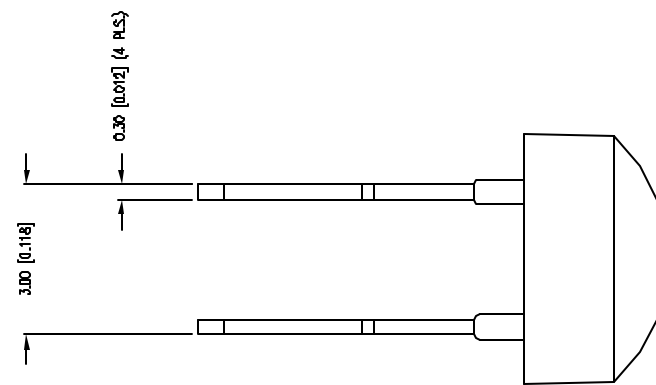
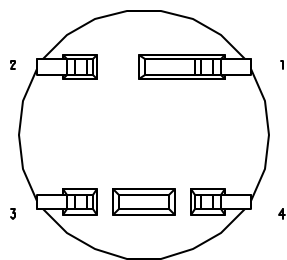


ELECTRO-OPTICAL CHARACTERISTICS $T_A=25^{\circ}\text{C}$		$I_f=20\text{mA}$		
PARAMETER	MIN	TYP	MAX	UNITS
PEAK WAVELENGTH		635 (RED)		nm
PEAK WAVELENGTH		520 (GREEN)		nm
PEAK WAVELENGTH		470 (BLUE)		nm
FORWARD VOLTAGE (R)		2.1	2.6	V _f
FORWARD VOLTAGE (G)		3.2	3.8	V _f
FORWARD VOLTAGE (B)		3.2	3.8	V _f
REVERSE VOLTAGE	5.0			V _r
AXIAL INTENSITY		380/750/280		mcad
VIEWING ANGLE		120		2x theta
EMITTED COLOR:		RED/GREEN/BLUE		
EPOXY LENS FINISH:		WATER CLEAR		

$I_f=100\mu\text{A}$
 $I_f=20\text{mA}$

LIMITS OF SAFE OPERATION AT 25°C			
PARAMETER	COLORS	MAX	UNITS
PEAK FORWARD CURRENT*	(R/G/B)	100	mA
STEADY CURRENT	(R/G/B)	20/25/25	mA
POWER DISSIPATION	(R/G/B)	60/100/100	mW
DERATE FROM 25°C		-1.2	mW/°C
OPERATING TEMP.		-30 TO +80	°C
STORAGE TEMP.		-40 TO +100	°C
SOLDERING TEMP.		+280	°C
2.0mm FROM BODY		5	SEC. MAX

* $t < 10\mu\text{s}$



UNLESS OTHERWISE SPECIFIED TOLERANCES PER DECIMAL PRECISION ARE: X=±1 (±0.030), XX=±0.6 (±0.020), XXX=±0.25 (±0.010), XXXX=±0.127 (±0.005). LEAD SIZE=±0.06 (±0.002), LEAD LENGTH=±0.75 (±0.030). MIN. DECIMAL PRECISION MAX. DECIMAL PRECISION

	290 E. HELEN ROAD PALATINE, IL 60067-6976 PHONE: +1.847.359.2790 FAX: +1.847.359.6538 WEB: WWW.LUMEX.COM	LOW DOME, RED/GREEN/BLUE LED, COMMON ANODE, WATER CLEAR LENS	DATE: 08.12.10	DRAWN BY: AB
		THE INFORMATION CONTAINED IN THIS DOCUMENT IS THE PROPERTY OF LUMEX INC. EXCEPT AS SPECIFICALLY AUTHORIZED IN WRITING BY LUMEX INC., THE HOLDER OF THIS DOCUMENT SHALL KEEP ALL INFORMATION CONTAINED HEREIN CONFIDENTIAL AND SHALL PROTECT SAME IN WHOLE OR IN PART FROM DISCLOSURE AND DISSEMINATION TO ALL THIRD PARTIES.	PAGE: 1 OF 1	CHKD BY: KF
		CONFIDENTIAL INFORMATION	SCALE: N/A	APRVD BY: BC
			UNIT: mm [INCH]	