

PLEASE CHECK WWW.MOLEX.COM FOR LATEST PART INFORMATION

Part Number: [0351830417](#)
Status: **Active**
Description: 8.00/10.00mm (.315/.394") Pitch, 2.36 Dia. Pin Housing, 4 Circuits

Documents:

[3D Model](#) [Product Specification PS-35183-001 \(PDF\)](#)
[Drawing \(PDF\)](#) [RoHS Certificate of Compliance \(PDF\)](#)

Agency Certification

CSA	LR19980
TUV	R72081037
UL	E29179

General

Product Family	Crimp Housings
Series	35183
Product Name	N/A

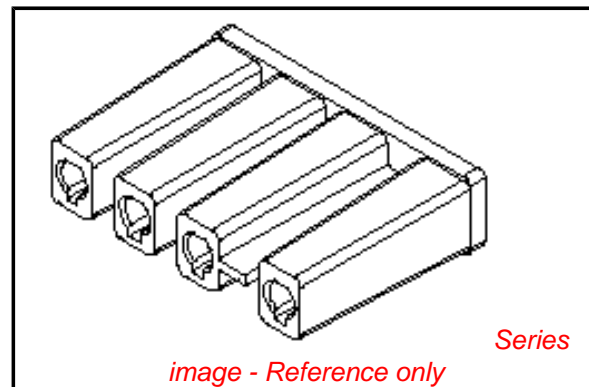
Physical

Circuits (maximum)	4
Flammability	94V-1
Gender	Female
Glow-Wire Compliant	No
Number of Rows	1
Packaging Type	Bag
Panel Mount	No
Pitch - Mating Interface (in)	0.315 In, 0.394 In
Pitch - Mating Interface (mm)	10.00 mm, 8.00 mm
Temperature Range - Operating	-25°C to +85°C

Material Info

Reference - Drawing Numbers

Product Specification	PS-35183-001
Sales Drawing	SD-35183-041



EU RoHS

**ELV and RoHS
Compliant**
REACH SVHC
 Not Reviewed
**Halogen-Free
Status**

China RoHS



**Need more information on product
environmental compliance?**

Email productcompliance@molex.com
 For a multiple part number RoHS Certificate of
 Compliance, [click here](#)

Please visit the [Contact Us](#) section for any
 non-product compliance questions.

Search Parts in this Series
[35183Series](#)

Mates With
[35309](#)

Use With
[35716](#)

DO NOT SCALE DRAWING DIMENSION IN METRIC

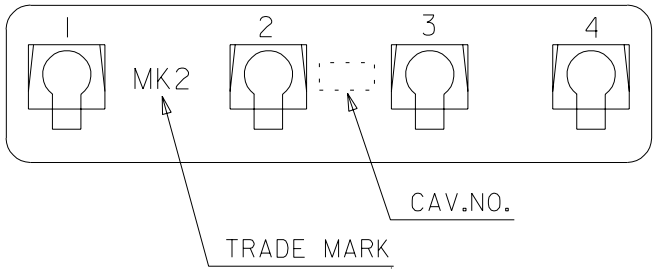
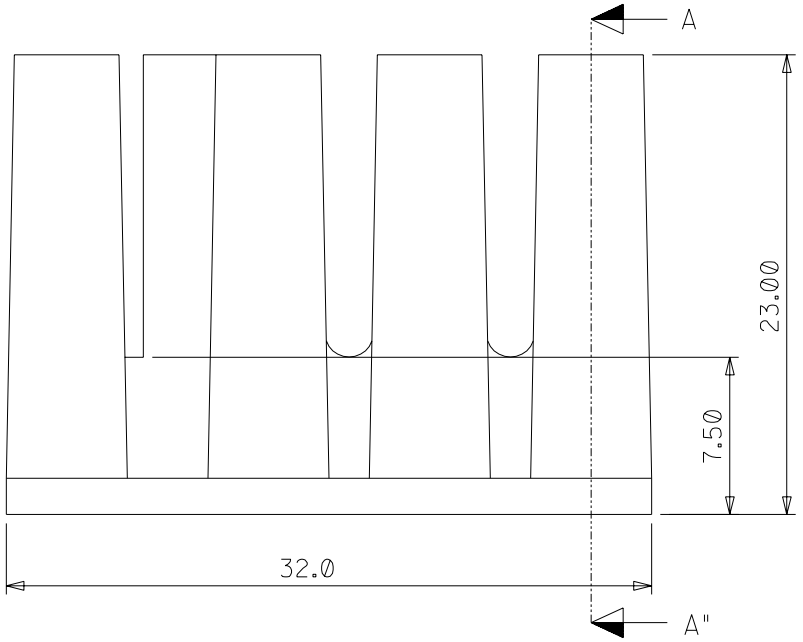
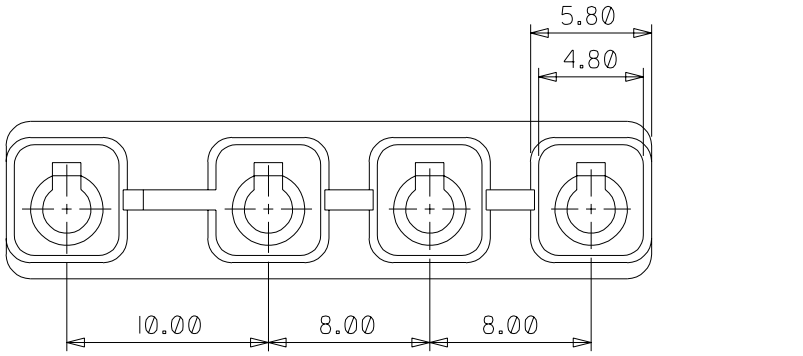
SIMILAR ITEM

PROJECT NO.

C

B

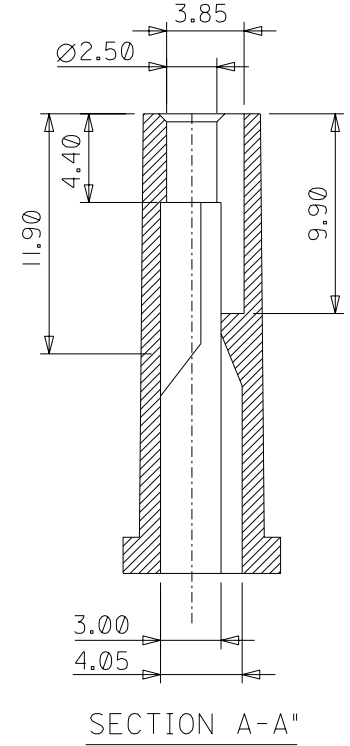
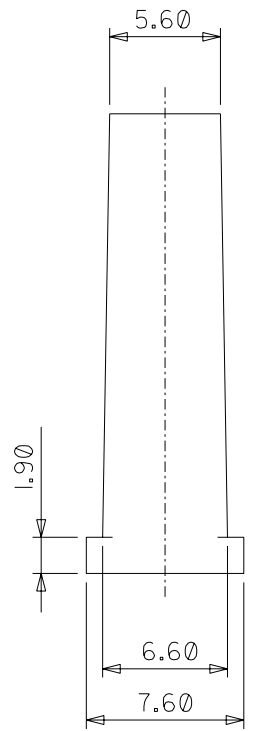
DWG. NO. SD-35183-041



MATERIAL NO.	ENG NO.	MATERIAL	COLOR
351830411	35183-0411	NORYL,UL94V-0	BLACK
351830417	35183-0417	NORYL,UL94V-I	GRAY

NOTES

- APPLICABLE TERMINALS: 35716-0110, 35716-0310, 35716-0190, 35716-0193
- MATED WAFER ASSEMBLY: 35309-0410



SECTION A-A'

REVISED EC NO. KOR2002-0151 DRWN: C.B.CHIN 02/06/07 CHK: W.Y.YNAG APPR: C.W.LEE	DESCRIPTION	QUALITY SYMBOLS	GENERAL TOLERANCES: (UNLESS SPECIFIED)		SCALE 4:1	DESIGN UNITS <input checked="" type="checkbox"/> mm <input type="checkbox"/> INCH	THIRD ANGLE PROJECTION <input checked="" type="checkbox"/> mm <input type="checkbox"/> INCH	DIMENSIONS: <input type="checkbox"/> mm <input type="checkbox"/> INCH <input checked="" type="checkbox"/> mm ONLY	SHT	REV
		MAJOR $\blacktriangledown = 0$	mm	INCH	DRAWN BY & DATE W.Y.YANG 95/01/17	TITLE: 2.36 HOUSING-4P				
C2	REV	CRITICAL $\blacktriangledown C = 0$	4 PLACES $\pm 0.$	$\pm.$	CHECKED BY & DATE B.K.CHOI 95/01/17	MATERIAL NO. SEE CHART				
			3 PLACES $\pm 0.$	$\pm.$	APPROVED BY & DATE C.W.LEE 95/01/17	DRAWING NO. SD-35183-041				
			2 PLACES ± 0.30	$\pm.$	CAD FILENAME S1830417.DGN	MATERIAL NO. SEE CHART		SHEET NO. 10F1		SIZE B
			1 PLACE ± 0.30	$\pm.$	THIS DRAWING CONTAINS INFORMATION THAT IS PROPRIETARY TO MOLEX INCORPORATED AND SHOULD NOT BE USED WITHOUT WRITTEN PERMISSION.				MX-A3	
			ANGULAR: \pm °		DRAFT WHERE APPLICABLE MUST REMAIN WITHIN DIMENSIONS					