

**PLEASE CHECK WWW.MOLEX.COM FOR LATEST PART INFORMATION**

**Part Number:** [0483300002](#)  
**Status:** **Active**  
**Overview:** slimline serial ata odd connectors  
**Description:** 1.00mm (.039"), 1.27mm (.050") Pitch Slimline Serial ATA Receptacle, Right Angle, Reverse SMT with Clip, 0.38µm (15µ") Gold (Au) Plating, Mounted Height: 6.85mm (.270"), Lead free

**Documents:**

[3D Model](#) [Product Specification PS-48321-001 \(PDF\)](#)  
[Drawing \(PDF\)](#) [RoHS Certificate of Compliance \(PDF\)](#)

**Agency Certification**

CSA LR19980  
 UL E29179

**General**

Product Family PCB Receptacles  
 Series [48330](#)  
 Application Board-to-Board  
 Comments Reverse SMT Type, with Clip  
 Overview [slimline serial ata odd connectors](#)  
 Product Name Serial ATA, Slimline Serial ATA

**Physical**

Circuits (Loaded) 13  
 Circuits (maximum) 13  
 Color - Resin Black  
 Durability (mating cycles max) 500  
 Flammability 94V-0  
 Glow-Wire Compliant No  
 Guide to Mating Part Yes  
 Keying to Mating Part Yes  
 Lock to Mating Part No  
 Material - Metal Phosphor Bronze  
 Material - Plating Mating Gold  
 Material - Plating Termination Tin  
 Material - Resin High Temperature Thermoplastic  
 Number of Rows 1  
 Orientation Right Angle  
 PCB Locator No  
 PCB Retention Yes  
 Packaging Type Embossed Tape on Reel  
 Pitch - Mating Interface (in) 0.039 In, 0.050 In  
 Pitch - Mating Interface (mm) 1.00 mm, 1.27 mm  
 Pitch - Term. Interface (in) 0.039 In, 0.050 In  
 Pitch - Term. Interface (mm) 1.00 mm, 1.27 mm  
 Plating min: Mating (µin) 15  
 Plating min: Mating (µm) 0.38  
 Plating min: Termination (µin) 100  
 Plating min: Termination (µm) 2.54  
 Polarized to Mating Part Yes  
 Polarized to PCB Yes  
 Robotic Placement Pick and Place Cap  
 Stackable No  
 Temperature Range - Operating -40°C to +85°C  
 Termination Interface: Style Surface Mount

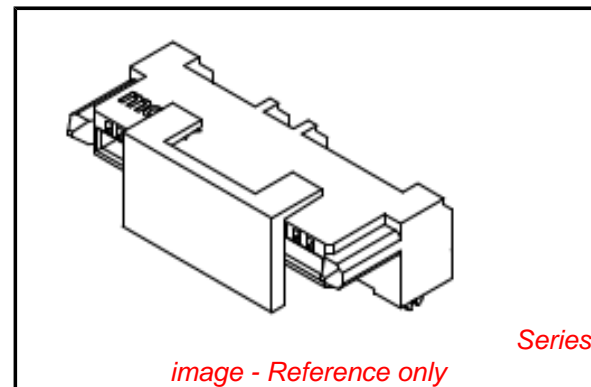


image - Reference only

**EU RoHS**

**ELV and RoHS Compliant**  
**REACH SVHC Not Reviewed**  
**Halogen-Free Status Not Reviewed**

**China RoHS**



**Need more information on product environmental compliance?**

Email [productcompliance@molex.com](mailto:productcompliance@molex.com)  
 For a multiple part number RoHS Certificate of Compliance, [click here](#)

Please visit the [Contact Us](#) section for any non-product compliance questions.

**Search Parts in this Series**

[48330Series](#)

**Mates With**

[473001xxx Slimline Serial ATA Plugs](#)

**Electrical**

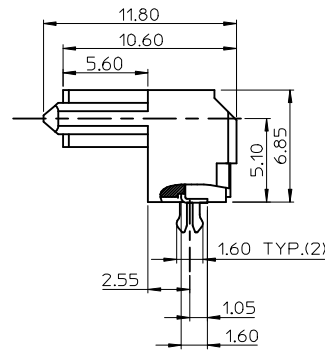
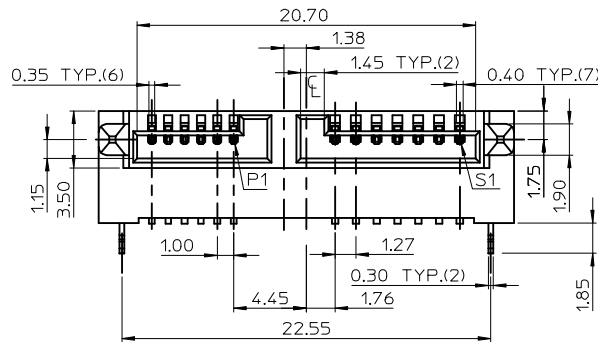
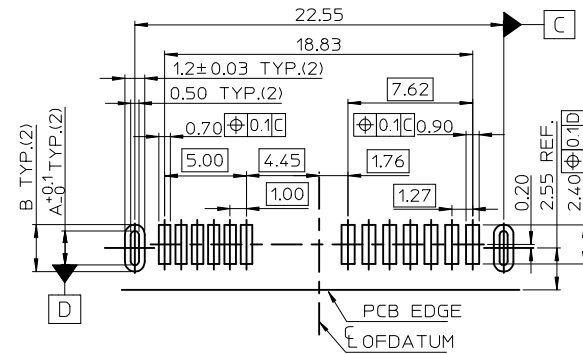
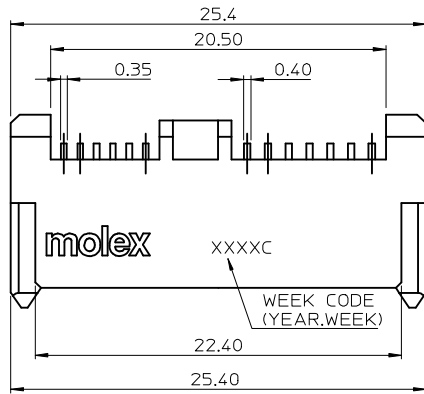
Current - Maximum per Contact	1A
Grounding to PCB	Yes
Voltage - Maximum	15V (RMS)

**Material Info****Reference - Drawing Numbers**

Packaging Specification	PK-48330-001
Product Specification	PS-48321-001
Sales Drawing	SD-48330-001
Test Summary	TS-48330-001

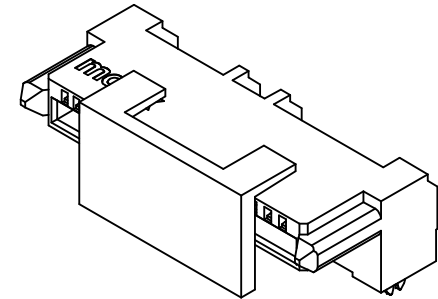
This document was generated on 05/31/2010

**PLEASE CHECK [WWW.MOLEX.COM](http://WWW.MOLEX.COM) FOR LATEST PART INFORMATION**



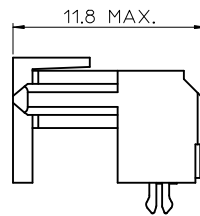
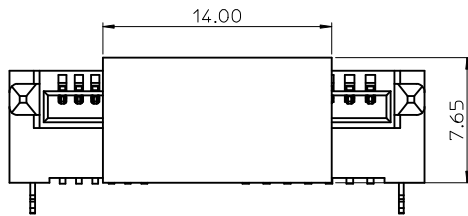
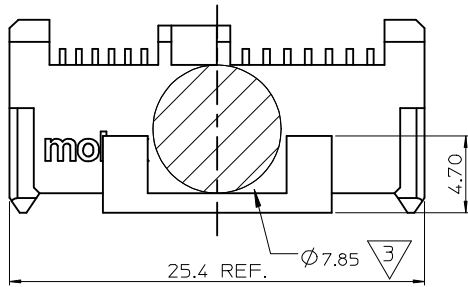
CLIP FUNCTION AVAILABLE		CLIP FUNCTION UNAVAILABLE	
DIM A	DIM B	DIM A	DIM B
1.4	2.1	1.75	2.45

RECOMMENDED PC BOARD LAYOUT  
TOLERANCE: ±0.05mm (TOP VIEW)



<b>NEW RELEASE</b> EC NO: SH2009-0026 DRWN: GWANG08 CHKD: DMZHANG02 APPR: HWANG 2008/12/23 2008/12/23 2009/01/09	DESCRIPTION REV	QUALITY SYMBOLS ▽=0 ◻=0	GENERAL TOLERANCES (UNLESS SPECIFIED)		DIMENSION STYLE MM ONLY		SCALE	DESIGN UNITS METRIC	THIRD ANGLE PROJECTION	
			mm	INCH	DRAWN BY	DATE	TITLE <b>SLIMLINE SATA RECEPTACLE REVERSE SMT WITH CLIP</b>			
			4 PLACES ± ---	± ---	LINDA	2007/10/23				
			3 PLACES ± ---	± ---	CHECKED BY	DATE	MOLEX INCORPORATED			
2 PLACES ± 0.25	± ---	ALLEN LIN	2007/10/25							
1 PLACE ± 0.25	± ---	APPROVED BY	DATE	DOCUMENT NO. SD-48330-001						
ANGULAR ± 3 °		ERICK LAN	2007/10/25							
DRAFT WHERE APPLICABLE MUST REMAIN WITHIN DIMENSIONS		MATERIAL NO. SEE SHEET 2		SHEET NO. 1 OF 2						
		SIZE A 4	THIS DRAWING CONTAINS INFORMATION THAT IS PROPRIETARY TO MOLEX INCORPORATED AND SHOULD NOT BE USED WITHOUT WRITTEN PERMISSION							

7 6 5 4 3 2 1



P/N	PLATING OPTIONS	WITHSTANDING MFG TEST
48330-0001	GOLD FLASH	NO
48330-0002	15 MICROINCH	NO
48330-0003	30 MICROINCH	YES

NOTES:  
 1.MATERIAL:  
 HOUSING & CAP:LIQUID CRYSTAL POLYMER,GLASS FIBER FILLED,  
 UL94V-0,COLOR:BLACK.  
 TERMINAL:PHOSPHOR BRONZE.  
 CLIP:COPPER ALLOY.  
 2.PLATING:  
 TERMINAL:  
 CONTACT AREA:SEE TABLE  
 SOLDER TAIL:MATTE TIN,THICKNESS=100 MICROINCH MIN/2.54 MICROMETER MIN.  
 UNDER PLATE:NICKEL(Ni).  
 CLIP:TIN(Sn),THICKNESS=100 MICROINCH MIN/2.54 MICROMETER MIN.  
 3. PICK & PLACE VACUUM AREA.  
 4.RECOMMENDED PCB THICKNESS:1.20±0.05mm  
 5.PRODUCT SPECIFICATION REFER TO PS-48321-001  
 6.TEST SUMMARY REFER TO TS-48330-001  
 7.PACKAGING SPECIFICATION REFER TO PK-48330-001  
 8.LEAD FREE & RoHS COMPLIANT PRODUCT.

SEE SHEET 1 EC NO: SH2009-0026 DRWN:GWANG08 CHKD:DMZHANG02 APPR:HMWANG	DESCRIPTION 2008/12/23 2008/12/23 2009/01/09	QUALITY SYMBOLS	GENERAL TOLERANCES (UNLESS SPECIFIED)	DIMENSION STYLE	SCALE	DESIGN UNITS	THIRD ANGLE PROJECTION
		$\blacktriangledown = 0$ $\nabla = 0$	mm INCH 4 PLACES ± --- ± --- 3 PLACES ± --- ± --- 2 PLACES ± 0.25 ± --- 1 PLACE ± 0.25 ± --- ANGULAR ± 3 °	MM ONLY	1:1	METRIC	
		DRAWN BY LINDA DATE 2007/10/23	CHECKED BY ALLEN LIN DATE 2007/10/25	TITLE SLIMLINE SATA RECEPTACLE REVERSE SMT WITH CLIP			
		APPROVED BY ERICK LAN DATE 2007/10/25	MATERIAL NO. SEE TABLE	MOLEX INCORPORATED DOCUMENT NO. SD-48330-001	SHEET NO. 2 OF 2		

6 5 4 3 2 1