

PLEASE CHECK WWW.MOLEX.COM FOR LATEST PART INFORMATION

Part Number: **0643261005**
Status: **Active**
Overview: cmc connectors
Description: 2.50 mm (.098"), 4.20mm (.165") and 8.40mm, Power CMC Receptacles, 22 Circuits, Right Wire Output, Blue Coding with Rear Seal Cover

Documents:
[Drawing \(PDF\)](#)

[RoHS Certificate of Compliance \(PDF\)](#)

General

Product Family	Crimp Housings
Series	<u>64326</u>
Comments	* Current tested on a fully loaded connector, current for temperature increase of 40°C. Current max = 26.0A for 2.8mm Terminal (5.0mm ² wire), 4.5A for 0.635mm Terminal (0.75mm ² wire)
Overview	<u>cmc connectors</u>
Product Name	CMC

Physical

Circuits (maximum)	22
Circuits Detail	2 x 2.80mm (.110") terminals high current, 20 x 0.635mm (.025") terminals signal pin
Color - Resin	Brown
Gender	Female
Glow-Wire Compliant	No
Keying to Mating Part	Yes
Lock to Mating Part	Yes
Material - Resin	Polyester
Number of Rows	4
Packaging Type	Carton
Panel Mount	No
Pitch - Mating Interface (in)	0.098 In, 0.165 In, 0.330 In
Pitch - Mating Interface (mm)	2.50 mm, 4.20 mm, 8.40 mm
Polarized to Mating Part	Yes
Stackable	No
Temperature Range - Operating	-40°C to +125°C

Electrical

Current - Maximum per Contact	26A, 4.5A
-------------------------------	-----------

Material Info

Reference - Drawing Numbers

Application Specification	AS-64326-001
Sales Drawing	SD-64326-001, SD-64326-002

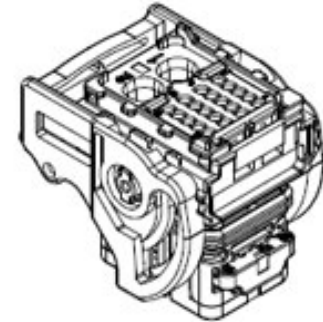


image - Reference only

Series

EU RoHS
ELV and RoHS
Compliant
REACH SVHC
Not Reviewed
Halogen-Free
Status
Not Reviewed

China RoHS



Need more information on product environmental compliance?

Email productcompliance@molex.com
 For a multiple part number RoHS Certificate of Compliance, [click here](#)

Please visit the [Contact Us](#) section for any non-product compliance questions.

Search Parts in this Series
[64326Series](#)

Mates With
 No free available mating header, please contact Product Manager

Use With
 Terminals [64322](#) CP 0.635mm (.025"), [64324](#) CP 2.80mm (.110"), [643251010](#)
 Blind Plugs for CP 0.635mm (.025") cavity [643251091](#) Seal Plug for CP 2.80mm (.110") cavity, Wire Cap [643191201](#)

PLEASE CHECK WWW.MOLEX.COM FOR LATEST PART INFORMATION

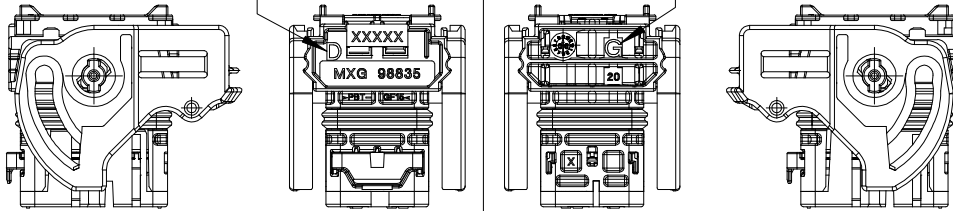
**FEMALE MODULE 22 WAY
WITH REAR SEAL COVER CMC 22 WAY**

FEMALE MODULE RIGHT WIRE OUTPUT

RIGHT MARKING: "D"

FEMALE MODULE LEFT WIRE OUTPUT

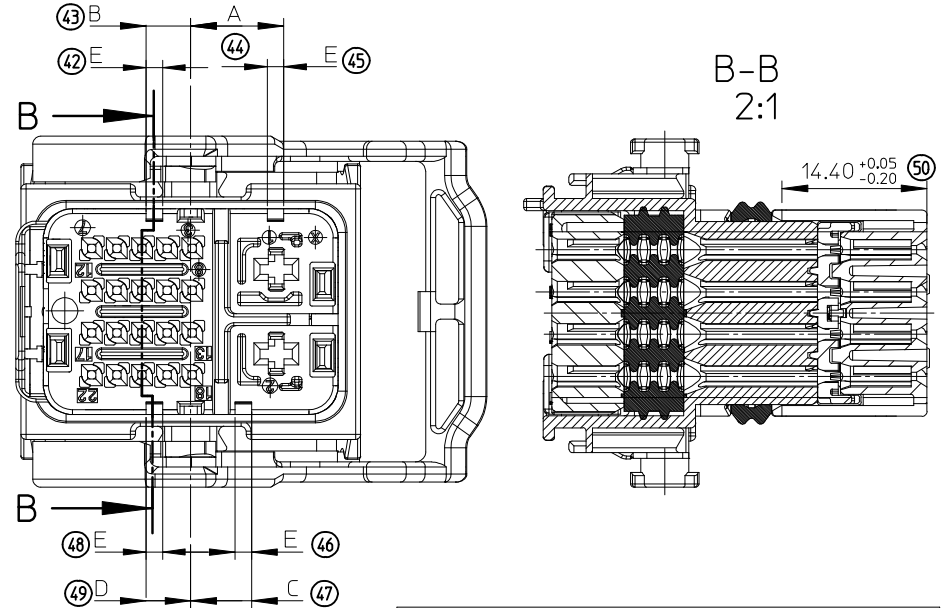
LEFT MARKING: "G"



MOLEX PART NUMBERS	COLOR	MOLEX PART NUMBERS	COLOR
0643261001	BLACK	0643261002	BLACK
0643261005	BROWN	0643261006	BROWN
0643261009	BLUE	0643261010	BLUE

ASSOCIATED TERMINALS

CAVITIES N°	TERMINAL	PLATING	MOLEX P/N*	WIRE SEAL P/N*	MIN / MAX WIRE INSULATION DIAMETER
1 to 2	CP2.8 0.50mm2 to 1mm2	Tin plated	0643241049	0643251162	Ø1.40 min / Ø2.15 Max
		Gold plated	0643241149		
	CP2.8 >1mm2 to 2mm2	Tin plated	0643241039	0643251175	Ø2.10 min / Ø2.80 Max
		Gold plated	0643241139		
	CP2.8 >2mm2 to 3mm2	Tin plated	0643241029	0643251188	Ø2.65 min / Ø3.45 Max
		Gold plated	0643241129		
CP2.8 >3mm2 to 5mm2	Tin plated	0643241019	0643251196	Ø3.40 min / Ø4.00 Max	
	Gold plated	0643241119			
3 to 22	CP0.6 0.35mm2	Tin plated	0643221019		Ø1.25 min / Ø1.40 Max
		Gold plated	0643221229		
	CP0.6 0.50mm2	Tin plated	0643221039		Ø1.40 min / Ø1.70 Max
		Gold plated	0643221239		
	CP0.6 0.75mm2	Tin plated	0643221029		Ø1.60 min / Ø1.90 Max
		Gold plated	0643221219		

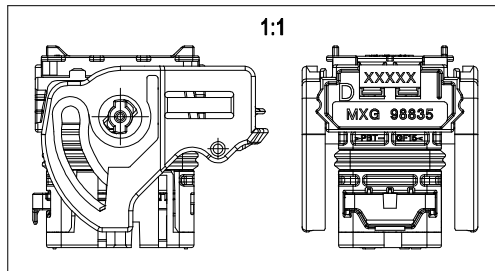


CODINGS

COLOR	A ^{+0.10} / ₀	B ^{+0.10} / ₀	C ^{+0.10} / ₀	D ^{+0.10} / ₀	E ^{+0.10} / ₀
BLACK	9.2	4.4	6.0	4.4	1.6
BROWN	6.0	7.6	9.2	9.2	1.6
BLUE	7.55	6.0	9.15	6.0	1.6

NOTES:

- FOR ILLUSTRATION PURPOSE THE FEMALE MODULE SHOWN IS THE RIGHT WIRE OUTPUT "D", CODING BLACK
- APPLICATION SPECIFICATION: AS-64326-001
- THE ASSEMBLED FEMALE MODULE IS ASSEMBLED WITH THE COVER P/N°0643191201
- FOR 0.6 CAVITIES USE PLUGS P/N°:0643251010
- FOR 2.8 CAVITIES USE CAP SEALS P/N°: 0643251091
- PART WEIGHT: 31.000 g

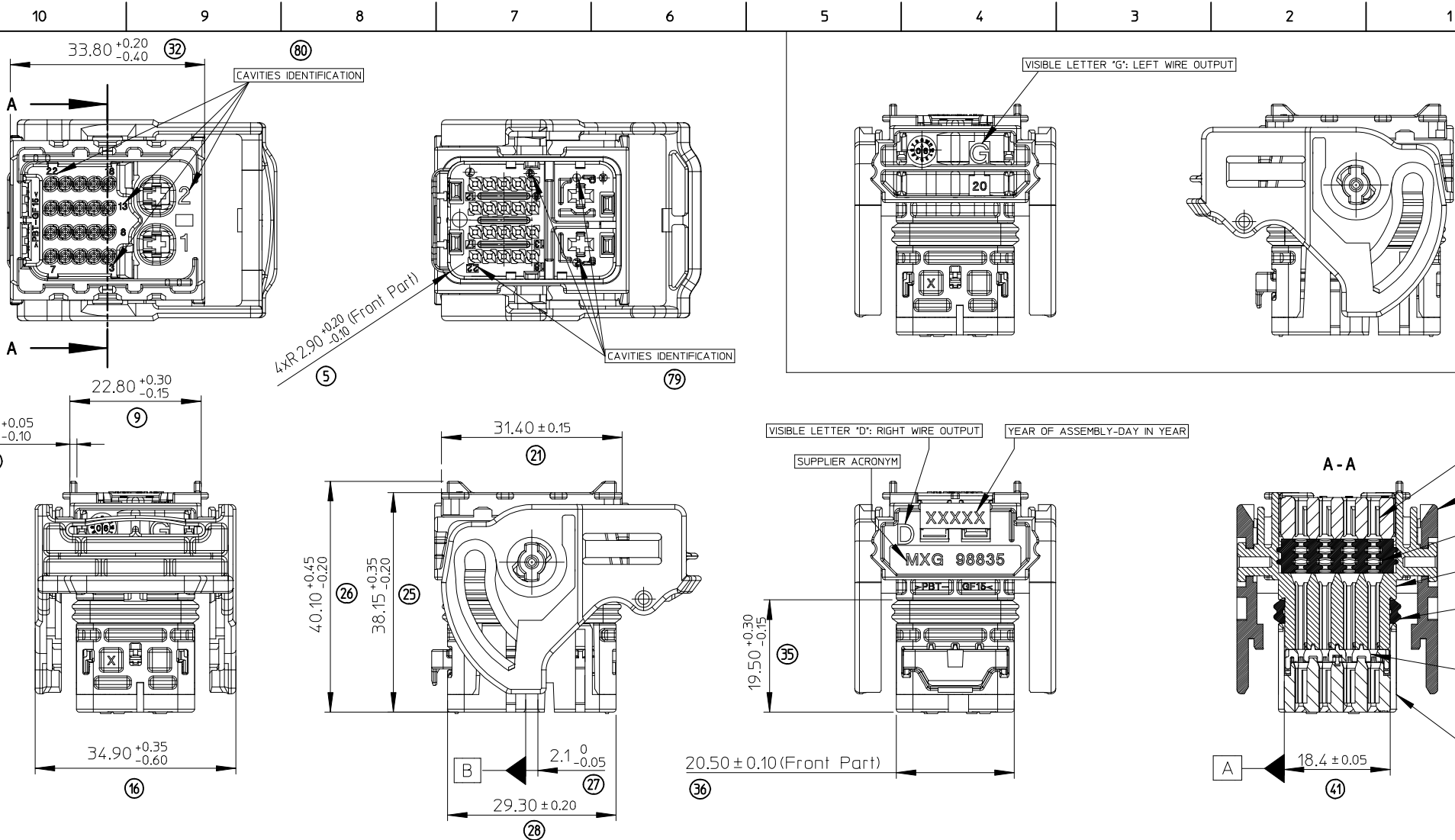


FIRST RELEASE EC NO: G2009-0122 DRAWING: DESBRUERES 2008/12/19 CHKD: O. PLESSIS 2008/12/19 APPR: CBOUCHAN 2009/01/12	REV	DESCRIPTION
	1	QUALITY SYMBOL

GENERAL TOLERANCES (UNLESS SPECIFIED)	DIMENSION STYLE	
	mm	INCH
4 PLACES	± ---	± ---
3 PLACES	± ---	± ---
2 PLACES	± 0.05	± ---
1 PLACE	± 0.1	± ---
ANGULAR ± 2 °		

DIMENSION STYLE		SCALE	DESIGN UNITS	FIRST ANGLE PROJECTION
MM ONLY		1:1	METRIC	
DRAWN BY	DATE	TITLE		
G. DESBRUERES	2008/10/02	CMC FEMALE MODULE 22W GENERIC SALES DRAWING		
CHECKED BY	DATE			
O. PLESSIS	2008/10/02			
APPROVED BY	DATE			
C. BOUCHAN	2008/10/03			
MATERIAL NO.	DOCUMENT NO.			
SEE CHARTS	SD-64326-001			
SIZE A3	THIS DRAWING CONTAINS INFORMATION THAT IS PROPRIETARY TO MOLEX INCORPORATED AND SHOULD NOT BE USED WITHOUT WRITTEN PERMISSION			

MOLEX INCORPORATED		SHEET NO.
		1 OF 3



POS.	QTY	PN*	DESIGNATION	MATERIAL	COLOR
7	1	0989930241	LEVER SIZE T2	>PBT-GF30<	BLACK
6	1	0986560001	PERIMETER SEAL	SILICONE	BLUE
5	1	0988350007	REAR SEAL COVER 22 way	>PBT-GF15 FR(17)< CLASS UL-V0	GREY
4	1	0988350006	BACK SEAL	SILICONE	GREEN
3	1	0988350005	T.P.A	>PBT-GF15 FR(17)< CLASS UL-V0	YELLOW
2	1	0988350004	HOUSING TOP PART	>PBT-GF15 FR(17)< CLASS UL-V0	BROWN
1	1	0988350001	HOUSING BOTTOM PART	>PBT-GF15 FR(17)< CLASS UL-V0	BLACK
		0988350002			BROWN
		0988350003			BLUE

FIRST RELEASE
 EC NO: G2009-0172Z
 DRWNG: GDESBRUERES 2008/12/19
 CHK'D: O. PLESSIS 2008/12/19
 APPR: CBOUCHAN 2009/01/12

QUALITY SYMBOL
 +0
 -0

GENERAL TOLERANCES (UNLESS SPECIFIED)

	mm	INCH
4 PLACES	± ---	± ---
3 PLACES	± ---	± ---
2 PLACES	± 0.05	± ---
1 PLACE	± 0.1	± ---
ANGULAR ± 2 °		

DRAFT WHERE APPLICABLE
 MUST REMAIN WITHIN DIMENSIONS

DIMENSION STYLE
MM ONLY

DRAWN BY DATE
 G. DESBRUERES 2008/10/02

CHECKED BY DATE
 O. PLESSIS 2008/10/02

APPROVED BY DATE
 C. BOUCHAN 2008/10/03

MATERIAL NO.
SEE SHEET 1

SCALE
1.5:1

DESIGN UNITS
METRIC

FIRST ANGLE PROJECTION

TITLE
**CMC FEMALE MODULE 22W
 GENERIC SALES DRAWING**

MOLEX INCORPORATED

DOCUMENT NO.
SD-64326-001

SHEET NO.
2 OF 3

THIS DRAWING CONTAINS INFORMATION THAT IS PROPRIETARY TO MOLEX INCORPORATED AND SHOULD NOT BE USED WITHOUT WRITTEN PERMISSION

FEMALE MODULE OVERALLS - T.P.A IN POSITION TO FIT TERMINALS

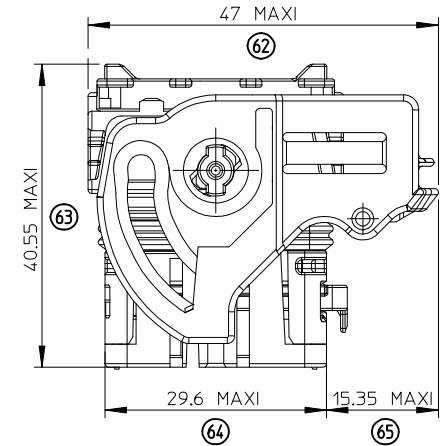
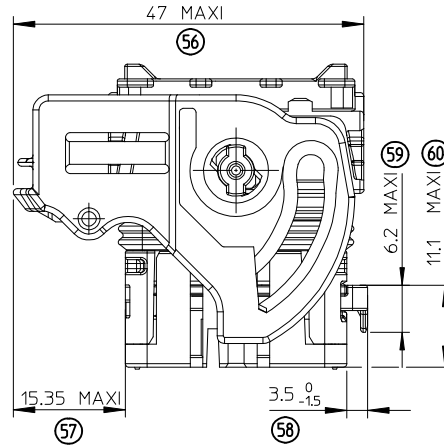
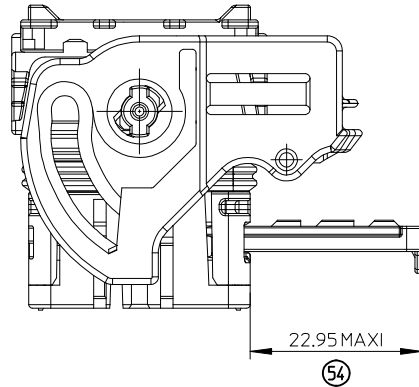
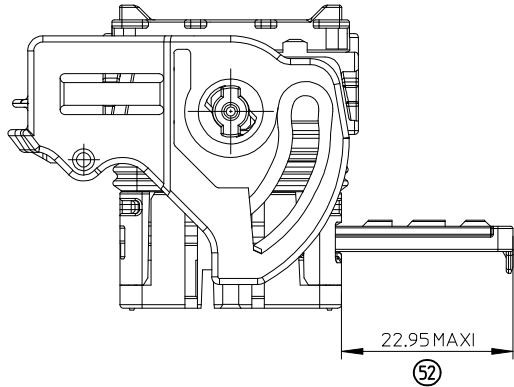
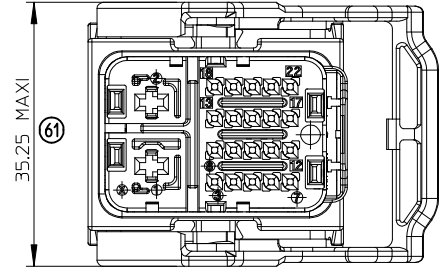
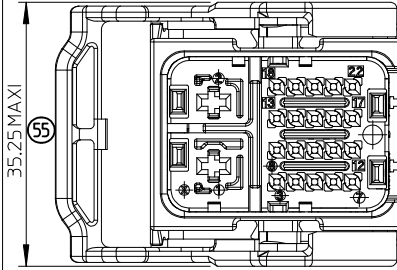
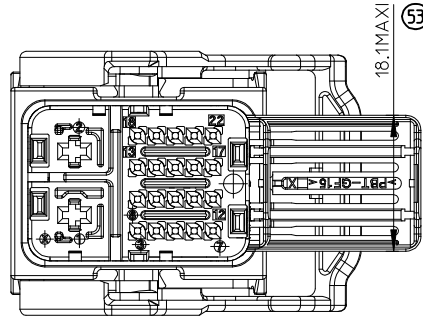
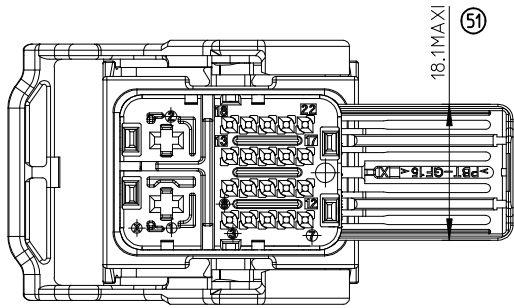
FEMALE MODULE OVERALLS - T.P.A IN DELIVERY POSITION

FEMALE MODULE - RIGHT WIRE OUTPUT

FEMALE MODULE - LEFT WIRE OUTPUT

FEMALE MODULE - RIGHT WIRE OUTPUT

FEMALE MODULE - LEFT WIRE OUTPUT



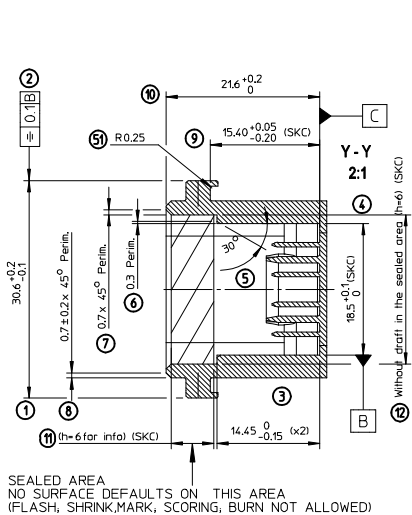
FIRST RELEASE	
EC NO: G2009-0122	DRWN: GDESBRUERES 2008/12/19
CHKD: O.PLESSIS 2008/12/19	APPR: CBOUCHAN 2009/01/12
REV	DESCRIPTION
1	QUALITY SYMBOL

GENERAL TOLERANCES (UNLESS SPECIFIED)	
	mm
	INCH
4 PLACES	± ---
3 PLACES	± ---
2 PLACES	± 0.05
1 PLACE	± 0.1
ANGULAR ± 2 °	
DRAFT WHERE APPLICABLE MUST REMAIN WITHIN DIMENSIONS	

DIMENSION STYLE	
MM ONLY	
DRAWN BY	DATE
G.DESBRUERES	2008/10/02
CHECKED BY	DATE
O.PLESSIS	2008/10/02
APPROVED BY	DATE
C.BOUCHAN	2008/10/03
MATERIAL NO.	
SEE SHEET 1	
SIZE	
A3	

SCALE	DESIGN UNITS	FIRST ANGLE PROJECTION
1:1	METRIC	
TITLE		
CMC FEMALE MODULE 22W GENERIC SALES DRAWING		
molex MOLEX INCORPORATED		
DOCUMENT NO.	SHEET NO.	
SD-64326-001	3 OF 3	
THIS DRAWING CONTAINS INFORMATION THAT IS PROPRIETARY TO MOLEX INCORPORATED AND SHOULD NOT BE USED WITHOUT WRITTEN PERMISSION		

HOUSING OVERALLS - MALE TERMINALS AND WALLS FOR PROTECTION IMPLANTATION



SEALED AREA
NO SURFACE DEFAULTS ON THIS AREA
(FLASH, SHRINK, MARK, SCORING, BURN NOT ALLOWED)

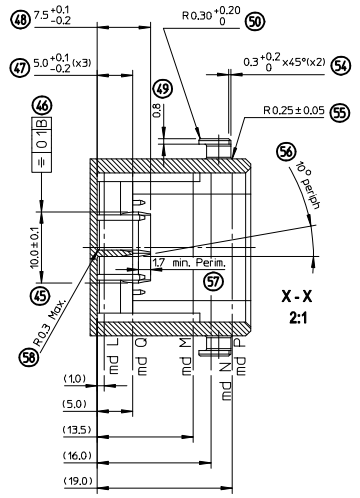
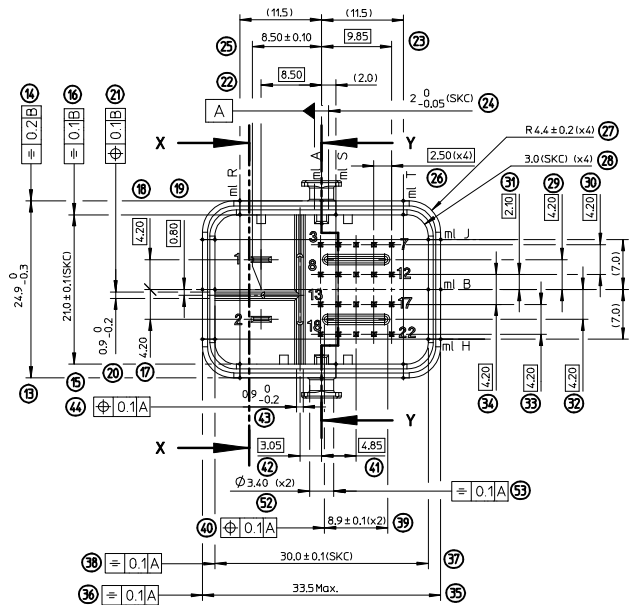
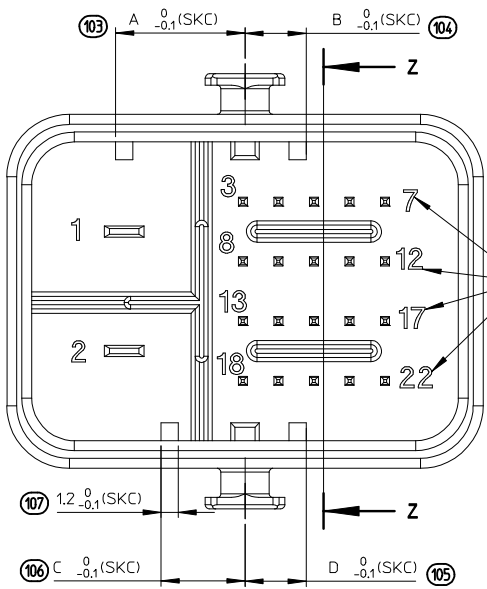
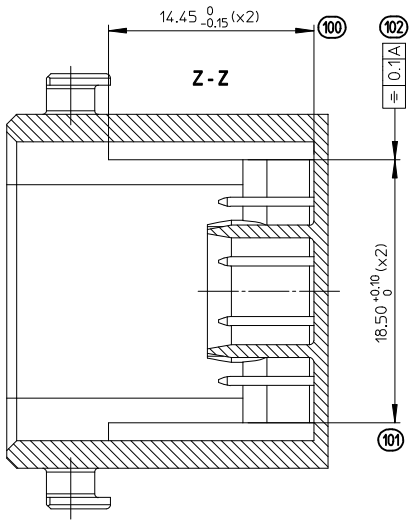


CHART MEASURES FOR INTERFACE

NUMB.	DIMENSION	MEASURE LINE	MEASURE DEPTH
35	33.5 MAXI	B H J	P
37	30 +0.1	B H J	N P
	29.8 mini 30.1 MAXI	B H J	L
15	21 +0.1	R T	L N P
		S	L
		A	N P
	20.8 mini 21.1 MAXI	R S T	L
13	24.9 0/-0.3	A R T	P
10	21.6 +0.2/0	MAX / MIN	
28	R3.0 ±0.1		N P
4	18.5 +0.1/0	A	L M Q
107	1.2 0/-0.1	CODING	L M
101	18.5 +0.1/0	CODING	L M
103/105/106	9.1 0/-0.1	CODING	L M
103/104	7.5 0/-0.1	CODING	L M
103/104/105/106	5.9 0/-0.1	CODING	L M
104/105	4.3 0/-0.1	CODING	L M

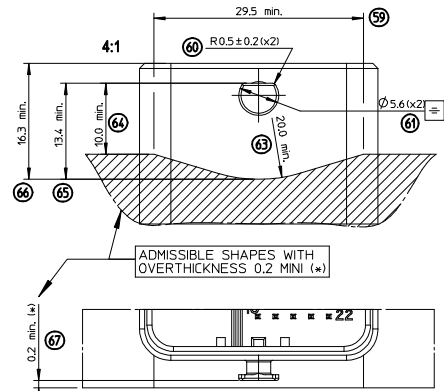


CAVITIES IDENTIFICATION (SKC)
Height 1.5mm embossed in
a recessed area of 0.3mm Max.

NOTES:
-MATING SURFACES WITHOUT ANY FLASH
-HEADER PPA GF 33% AND PBT GF 30% RECOMMENDED

LOCKING AXIS PROTECTION

NECESSARY OVERTHICKNESS - DIMENSIONS NOTED (*)
IF THE LOCKING AXIS ARE OUT OF CALCULATOR'S OVERALLS



CODINGS				
COLOR	DIM. A	DIM. B	DIM. C	DIM. D
BLACK	9.1	4.3	5.9	4.3
BROWN	5.9	7.5	9.1	9.1
BLUE	7.45	5.9	9.05	5.9

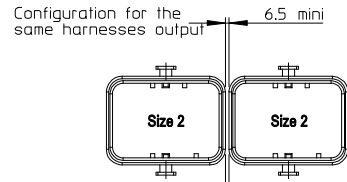
CODINGS LOCATION
(BLACK CODING SHOWN)
4:1

SKC SPECIAL KEY CHARACTERISTICS	
⊗	DENOTES S.P.C DIMENSIONS
⊕	DENOTES CRITICAL DIMENSIONS
⊙	DENOTES FUNCTIONAL DIMENSIONS
⊗	QUANTITY PER INDIVIDUAL SHEET
⊙	QUANTITY PER INDIVIDUAL SHEET
⊙	QUANTITY PER INDIVIDUAL SHEET

FIRST RELEASE EC NO: GZ009-0145 DRW: GDESBRUERES 2008/12/11 CHKD: O. PLESSIS 2008/12/11 APPR: CBOUCHAN 2008/12/16	DIMENSION STYLE MM ONLY	SCALE 1:1	DESIGN UNITS METRIC	FIRST ANGLE PROJECTION
	GENERAL TOLERANCES (UNLESS SPECIFIED)	DRAWN BY G. DESBRUERES 2008/10/09	DATE 2008/10/09	TITLE INTERFACE FOR HYBRIDE MODULE 22CKT CMC GENERIC SALES DRAWING
4 PLACES ± --- ± --- 3 PLACES ± --- ± --- 2 PLACES ± 0.05 ± --- 1 PLACE ± 0.1 ± --- ANGULAR ± 2°	CHECKED BY O. PLESSIS 2008/10/09	DATE 2008/10/09	MOLEX INCORPORATED	
DRAFT WHERE APPLICABLE MUST REMAIN WITHIN DIMENSIONS	APPROVED BY C. BOUCHAN 2008/10/10	DATE 2008/10/10	MATERIAL NO. N/A	DOCUMENT NO. SD-64326-002
1	SIZE A2	THIS DRAWING CONTAINS INFORMATION THAT IS PROPRIETARY TO MOLEX INCORPORATED AND SHOULD NOT BE USED WITHOUT WRITTEN PERMISSION		
1	SHEET NO. 1 OF 2	SHEET NO. 1 OF 2		

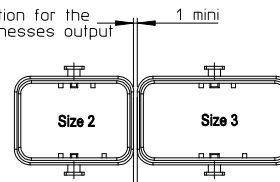
HEADERS LOCATION

CONFIGURATION FOR 2 INTERFACES SIZE 2



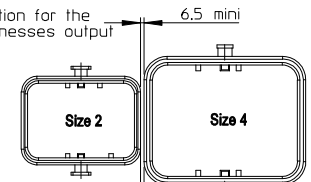
Configuration for opposite harnesses output

CONFIGURATION FOR INTERFACES SIZE 2 & 3



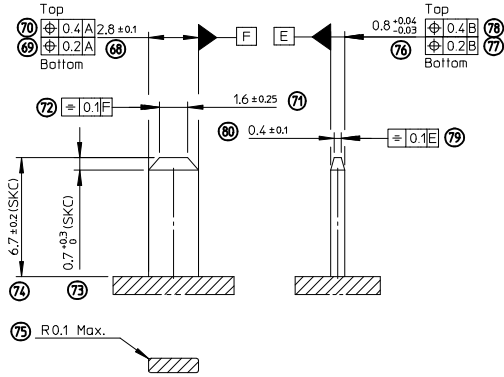
Configuration for opposite harnesses output

CONFIGURATION FOR INTERFACES SIZE 2 & 4



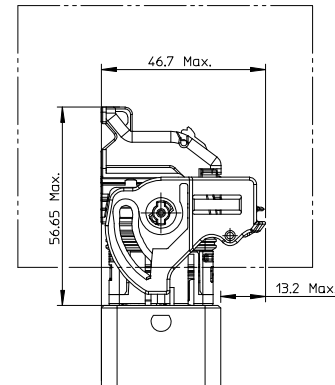
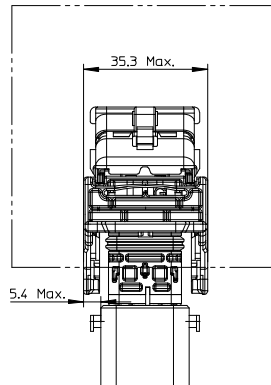
Configuration for opposite harnesses output

TAB 2.8 DEFINITION

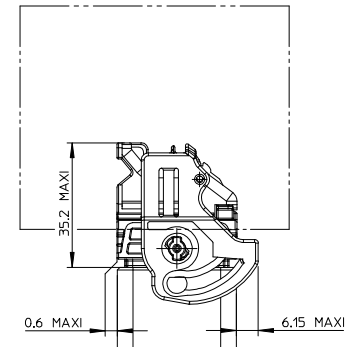


FEMALE HOUSING OVERALLS - MATING & UNMATING WITH HEADER

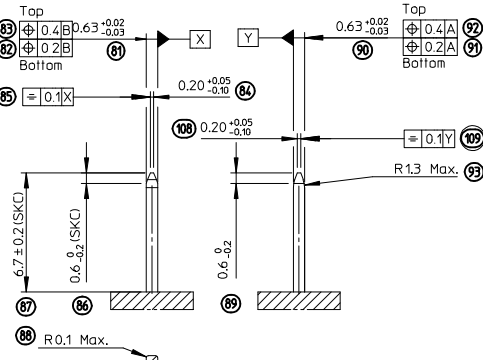
OVERALLS FOR MATING & UNMATING



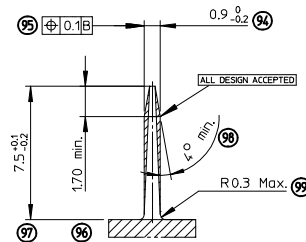
LOCKED FEMALE HOUSING OVERALL DIMENSIONS



PIN 0.635 DEFINITION



WALL FOR PROTECTION DEFINITION



(SKC) SPECIAL KEY CHARACTERISTICS

- ☒ DENOTES S.P.C DIMENSIONS
 - ⊗ DENOTES CRITICAL DIMENSIONS
 - DENOTES FUNCTIONAL DIMENSIONS
- QUANTITY PER INDIVIDUAL SHEET
- 0 0 0 (SKC) 4

FREE AREA FOR MANUAL MATING & UNMATING

FIRST RELEASE EC NO: G2009-0145 DRWN:GDESBRUERES 2008/12/11 CHKD:O.PLESSIS 2008/12/11 APPR:CBOUCHAN 2008/12/16	GENERAL TOLERANCES (UNLESS SPECIFIED)		DIMENSION STYLE	SCALE	DESIGN UNITS	FIRST ANGLE PROJECTION
	mm INCH		MM ONLY	2:1	METRIC	
	4 PLACES ± --- ± ---		DRAWN BY	DATE	TITLE	
	3 PLACES ± --- ± ---		G. DESBRUERES	2008/10/09	INTERFACE FOR HYBRIDE MODULE 22CKT CMC	
2 PLACES ± 0.05 ± ---		CHECKED BY	DATE	GENERIC SALES DRAWING		
1 PLACE ± 0.1 ± ---		O.PLESSIS	2008/10/09	MOLEX INCORPORATED		
	ANGULAR ± 2 °	APPROVED BY	DATE	DOCUMENT NO.		
		C. BOUCHAN	2008/10/10	SD-64326-002		
		MATERIAL NO.		SHEET NO.		
		N/A		2 OF 2		
DRAFT WHERE APPLICABLE MUST REMAIN WITHIN DIMENSIONS	THIS DRAWING CONTAINS INFORMATION THAT IS PROPRIETARY TO MOLEX INCORPORATED AND SHOULD NOT BE USED WITHOUT WRITTEN PERMISSION					