

PLEASE CHECK WWW.MOLEX.COM FOR LATEST PART INFORMATION

Part Number: **0743205004**

Status: **Active**

Description: MicroCross™ DVI-D Digital Visual Interface, PCB Receptacle, Panel Mount, Through Hole, Vertical, Gold Flash, Lead Free, 2.34mm (.092") P.C. Tail Length, 24 Circuits

Documents:

[Drawing \(PDF\)](#)

[Test Summary \(PDF\)](#)

[Product Specification PS-74320-001 \(PDF\)](#)

[RoHS Certificate of Compliance \(PDF\)](#)

Agency Certification

UL E29179

General

Product Family	I/O Connectors
Series	74320
Application	Wire-to-Board
Comments	DDWG (Digital Display Working Group) Standard
Component Type	Receptacle
Product Name	MicroCross™DVI
Type	N/A

Physical

Boot Color	N/A
Circuits (Loaded)	24
Circuits (maximum)	24
Color - Resin	Natural
Durability (mating cycles max)	100
Flammability	94V-0
Gender	Receptacle
Keying to Mating Part	Yes
Lock to Mating Part	Yes
Material - Metal	Copper Alloy
Material - Plating Mating	Gold
Material - Plating Termination	Tin
Number of Rows	3
Orientation	Vertical
PC Tail Length (in)	0.092 In
PC Tail Length (mm)	2.34 mm
PCB Locator	Yes
PCB Retention	Yes
Packaging Type	Tray
Panel Mount	Yes
Pitch - Mating Interface (in)	0.075 In
Pitch - Mating Interface (mm)	1.91 mm
Pitch - Term. Interface (in)	0.075 In
Pitch - Term. Interface (mm)	1.91 mm
Plating min: Mating (µin)	2
Plating min: Mating (µm)	0.05
Plating min: Termination (µin)	100
Plating min: Termination (µm)	2.50
Polarized to Mating Part	Yes
Polarized to PCB	Yes
Ports	1
Surface Mount Compatible (SMC)	No
Temperature Range - Operating	-20°C to +85°C
Termination Interface: Style	Through Hole

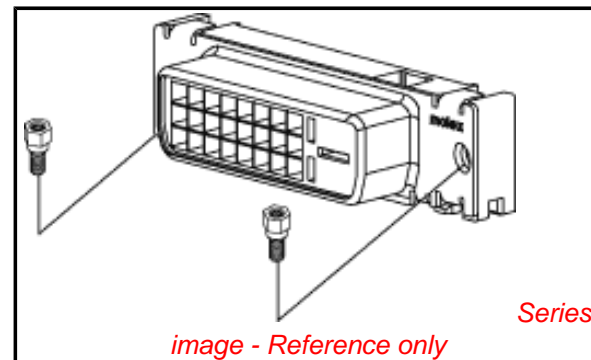


image - Reference only

EU RoHS

**ELV and RoHS
Compliant**

REACH SVHC

Not Reviewed

Halogen-Free

Status

Not Reviewed

China RoHS



**Need more information on product
environmental compliance?**

Email productcompliance@molex.com
For a multiple part number RoHS Certificate of
Compliance, [click here](#)

Please visit the [Contact Us](#) section for any
non-product compliance questions.

Search Parts in this Series

[74320Series](#)

Mates With

[88744](#) , [74323](#)

Use With

Hex Screw Kit [71781-0001](#) or [71781-0002](#)

Waterproof / Dustproof	No
Wire Size AWG	N/A
Electrical	
Current - Maximum per Contact	3A
Grounding to Panel	Yes
Shield Type	Full Shield
Shielded	Yes
Voltage - Maximum	40V AC (RMS)

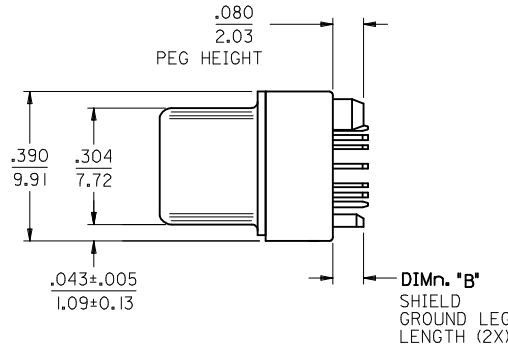
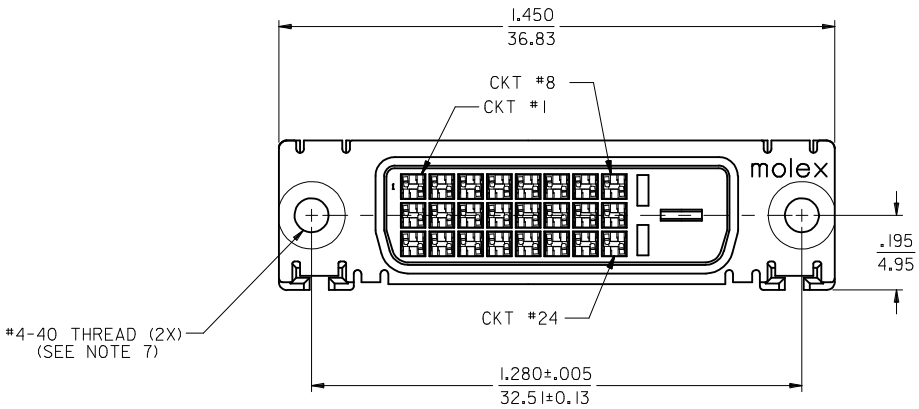
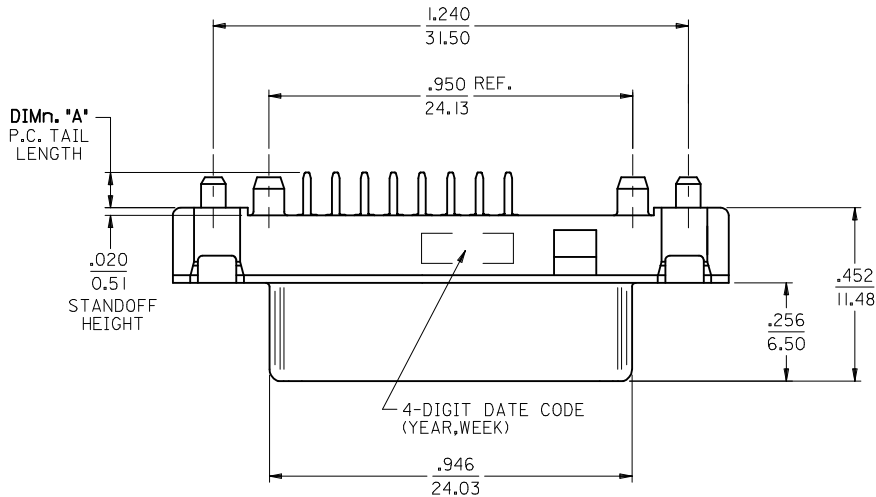
Material Info

Reference - Drawing Numbers

Product Specification	PS-74320-001, RPS-74320-006, RPS-74320-007, RPS-74320-010
Sales Drawing	SD-74320-004

This document was generated on 04/05/2010

PLEASE CHECK WWW.MOLEX.COM FOR LATEST PART INFORMATION



NOTES:

- MATERIALS:
SHIELD -- DEEP DRAW STEEL.
HOUSING -- GLASS FILLED POLYMER, NATURAL (WHITE), UL 94v-0.
CONTACTS -- COPPER ALLOY.
- PLATING: SEE SHEET 2.
- PRODUCT CONFORMS TO MOLEX PRODUCT SPECIFICATION NUMBER PS-74320-001.
- SEE SHEET 2 FOR RECOMMENDED PANEL CUT-OUT AND P.C.B. LAYOUT.
- PARTS WILL BE PACKAGED IN TRAYS PER PK-74320-010.
- PRODUCT CONFORMS TO DDWG DVI SPECIFICATION. REFER TO THIS SPECIFICATION FOR CONNECTOR MATING DIMENSIONS.
- RECOMMENDED MOUNTING HARDWARE IS MOLEX P/N 71781-0001 OR 82007-0300 OR 88780-6066. REFER TO PRODUCT SPECIFICATION NUMBER PS-74320-001 FOR THE APPLICATION TORQUE REQUIREMENT FOR ASSEMBLING MOUNTING HARDWARE.

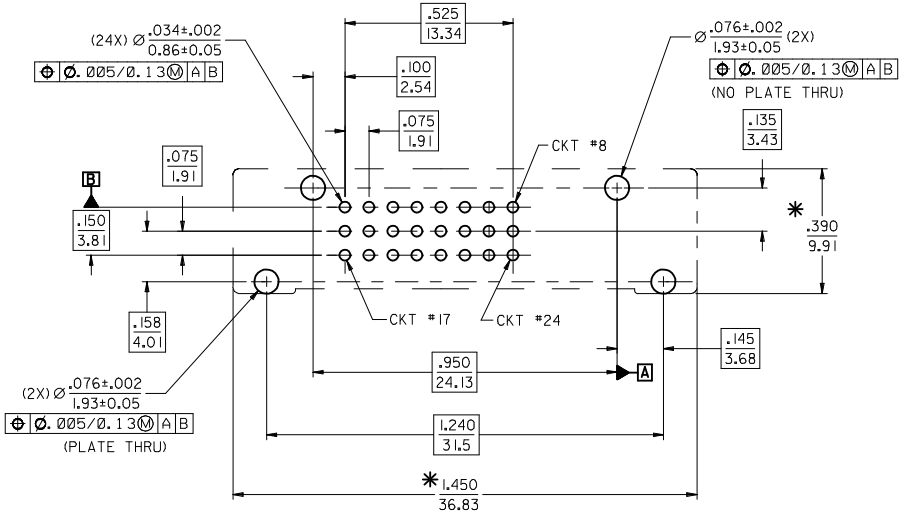
PART NUMBER	DIMn "A"	DIMn "B"	PLATING OPTION
74320-5000	.092/2.34	.080/2.03	1
74320-5001	.050/1.27	.080/2.03	1
74320-5004	.092/2.34	.080/2.03	2
74320-5005	.050/1.27	.080/2.03	2
74320-5006	.110/2.79	.110/2.79	2

REVISE	EC NO: SH2010-0059	2009/08/18	2009/08/18
	DRWN: XJSONG	2009/08/19	2009/08/19
	CHKD: XJSONG	2009/08/19	2009/08/19
	APPR: RZHANG	2009/09/28	2009/09/28
REV	DESCRIPTION		

QUALITY SYMBOLS	▽=0
	▽=0
	4 PLACES ± --- ± ---
	3 PLACES ± 0.25 ± 0.10
	2 PLACES ± 0.25 ± 0.10
1 PLACE ± 0.25 ± 0.10	
ANGULAR ± --- °	
DRAFT WHERE APPLICABLE MUST REMAIN WITHIN DIMENSIONS	

GENERAL TOLERANCES (UNLESS SPECIFIED)		DIMENSION STYLE IN/MM	
mm	INCH	DRAWN BY	DATE
± ---	± ---	MOSULL IV	99/02/12
± 0.25	± 0.10	CHECKED BY	DATE
± 0.25	± 0.10	MOSULL IV	99/02/12
± 0.25	± 0.10	APPROVED BY	DATE
		NELLIGAN	99/02/15
SEE CHART		MATERIAL NO.	
SEE CHART		DOCUMENT NO.	

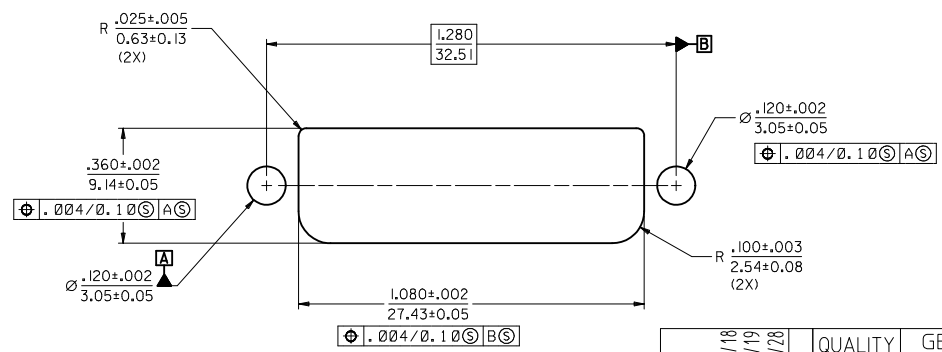
SCALE	DESIGN UNITS	THIRD ANGLE PROJECTION
INCH	INCH	
TITLE		
DVI-DIGITAL VERTICAL RECEPTACLE CONNECTOR		
MOLEX INCORPORATED		
DOCUMENT NO.		SHEET NO.
SD-74320-004		1 OF 2
THIS DRAWING CONTAINS INFORMATION THAT IS PROPRIETARY TO MOLEX INCORPORATED AND SHOULD NOT BE USED WITHOUT WRITTEN PERMISSION		



* THESE DIMENSIONS REPRESENT CONNECTOR OVERLAY ON PCB.

PLATING OPTIONS:

- PLATING OPTION #1:
 OUTER SHIELD -- 150u"/3.75um MIN. BRIGHT TIN OVER
 50u"/1.27um MIN. NICKEL OVER COPPER FLASH.
 .075"/1.91mm CONTACTS -- 30u"/0.75um MIN. SELECT GOLD AND
 100u"/2.50um MIN. SELECT PURE TIN
 OVER 50u"/1.27um MIN. NICKEL OVERALL.
- PLATING OPTION #2:
 OUTER SHIELD -- 150u"/3.75um MIN. BRIGHT TIN OVER
 50u"/1.27um MIN. NICKEL OVER COPPER FLASH.
 .075"/1.91mm CONTACTS -- SELECT GOLD FLASH AND
 100u"/2.50um MIN. SELECT PURE TIN
 OVER 50u"/1.27um MIN. NICKEL OVERALL.



RECOMMENDED PANEL CUT-OUT
 PANEL THICKNESS: .030/0.76 - .040/1.02

SEE SHEET1	DESCRIPTION
EC NO: SHZ010-0059	2009/08/18
DRWN: XJSONG	2009/08/19
CHKD: XJSONG	2009/08/19
APPR: RZHANG	2009/09/28
REV	

QUALITY SYMBOLS	▽=0
	∇=0
GENERAL TOLERANCES (UNLESS SPECIFIED)	mm
	INCH
	4 PLACES ± --- ± ---
	3 PLACES ± 0.25 ± 0.10
	2 PLACES ± 0.25 ± 0.10
1 PLACE ± 0.25 ± 0.10	
ANGULAR ± ---°	
DRAFT WHERE APPLICABLE MUST REMAIN WITHIN DIMENSIONS	SEE CHART

DIMENSION STYLE		SCALE	DESIGN UNITS	THIRD ANGLE PROJECTION
IN/MM		1:1	INCH	
DRAWN BY	DATE	TITLE		
MOSULL IV	99/02/12	DVI-DIGITAL VERTICAL RECEPTACLE CONNECTOR		
CHECKED BY	DATE			
MOSULL IV	99/02/12			
APPROVED BY	DATE			
NELLIGAN	99/02/15			
MATERIAL NO.	DOCUMENT NO.			
	SD-74320-004			

SIZE	THIS DRAWING CONTAINS INFORMATION THAT IS PROPRIETARY TO MOLEX INCORPORATED AND SHOULD NOT BE USED WITHOUT WRITTEN PERMISSION		
A3			
SHEET NO.	2 OF 2		