

**PLEASE CHECK WWW.MOLEX.COM FOR LATEST PART INFORMATION**

**Part Number:** [0857302050](#)  
**Status:** **Active**  
**Overview:** [rj45 industrial ethernet plugs receptacles and accessories](#)  
**Description:** Modular PCB Receptacle, RJ-45, Push/Pull, Industrial, Panel Feed Through, Category 5, Shielded, IP67

**Documents:**

[Drawing \(PDF\)](#) [RoHS Certificate of Compliance \(PDF\)](#)

**General**

Product Family	Modular Jacks/Plugs
Series	<a href="#">85730</a>
Component Type	PCB Jack
Magnetic	No
Overview	<a href="#">rj45 industrial ethernet plugs receptacles and accessories</a>
Performance Category	5
Power over Ethernet (PoE)	N/A
Product Name	Industrial, RJ45

**Physical**

Color - Resin	Black
Durability (mating cycles max)	500
Inverted / Top Latch	No
Keying to Mating Part	None
Lightpipes/LEDs	None
Material - Metal	Phosphor Bronze
Material - Plating Mating	Gold
Material - Plating Termination	Gold
Material - Resin	Polycarbonate
Orientation	Right Angle (Side Entry)
PCB Locator	Yes
PCB Retention	Yes
Packaging Type	Tray
Panel Mount	Front
Ports	1
Positions / Loaded Contacts	8/8
Temperature Range - Operating	-40°C to +70°C
Termination Interface: Style	Through Hole
Wire/Cable Type	Round

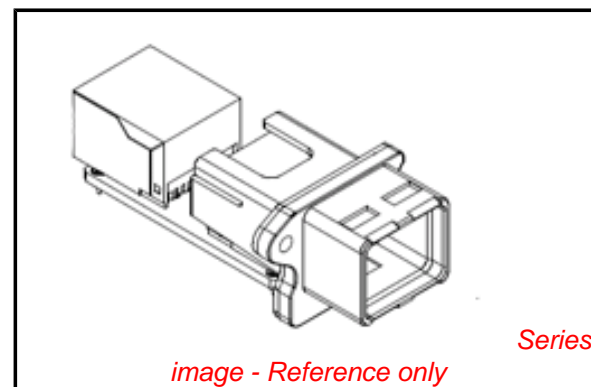
**Electrical**

Current - Maximum per Contact	16A
Grounding to PCB	Yes
Grounding to Panel	Yes
Shielded	Yes
Voltage - Maximum	48V

**Material Info**

**Reference - Drawing Numbers**

Application Specification	AS-85730-001
Sales Drawing	SD-85730-001



**EU RoHS**

**ELV and RoHS  
Compliant**  
**REACH SVHC  
Not Reviewed**  
**Halogen-Free  
Status**

**China RoHS**



**Need more information on product  
environmental compliance?**

Email [productcompliance@molex.com](mailto:productcompliance@molex.com)  
 For a multiple part number RoHS Certificate of  
 Compliance, [click here](#)

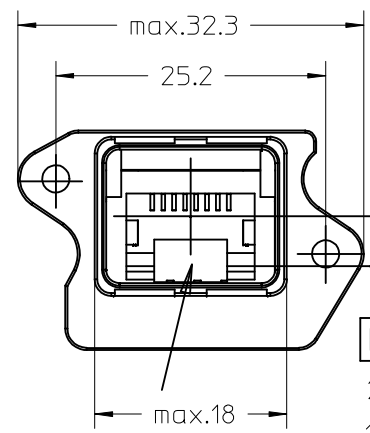
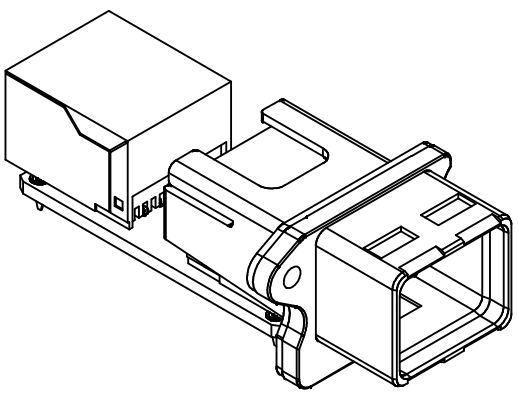
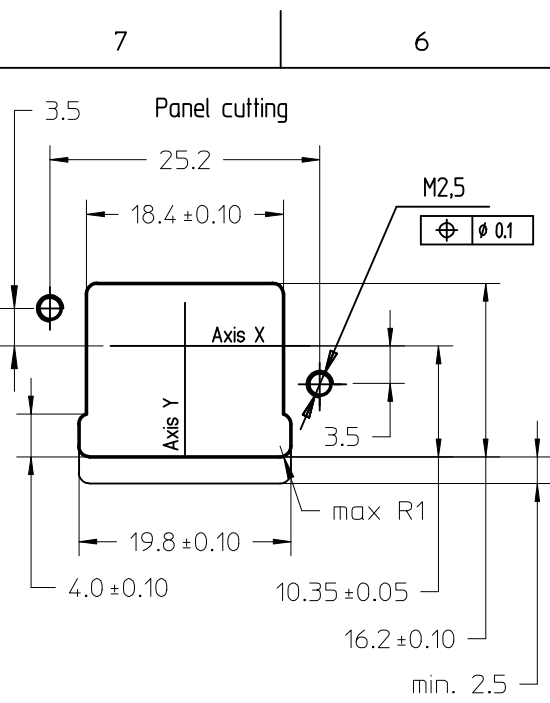
Please visit the [Contact Us](#) section for any  
 non-product compliance questions.

**Search Parts in this Series**

[85730Series](#)

**Mates With**

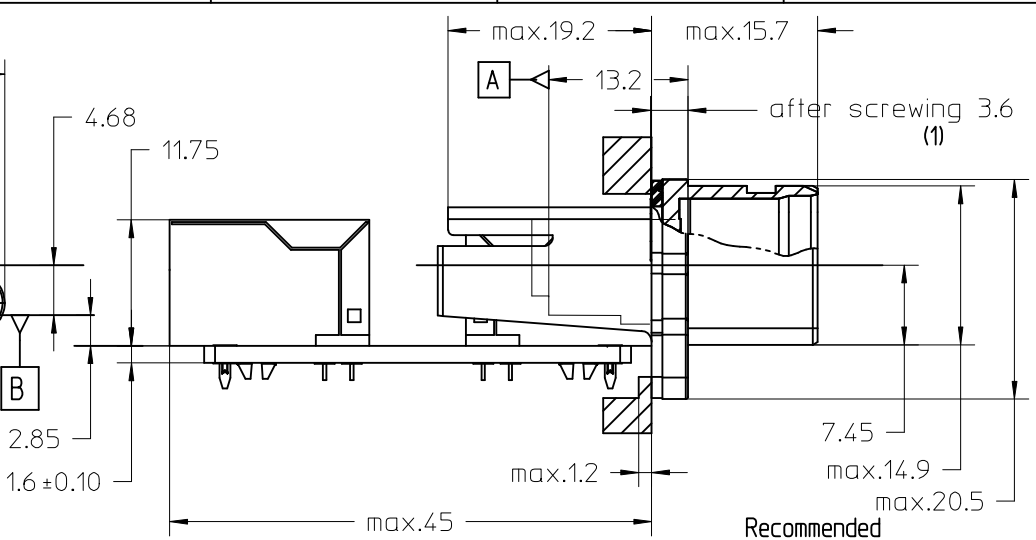
[RJ-45 Jacks and Accessories](#)



IEC 60603-7 modular jack

Connector pitches on panel:  
Axis X = 27 mm and Axis Y = 21 mm  
Receptacle mating face acc. to  
600076-3-106 IEC - variant 4

Mating references A and B  
according to IEC 60603-7  
(1) Screwing torque = 0.3 N.m



flat seal

panel

Recommended  
M2.5 washer  
according to  
EN ISO 7092

M2.5 screw (1)  
according to  
DIN 912  
or ISO 4762

ENTER DESCRIPTION EC NO: MG2006-0187 DRWN: CSEBASTI 2008/12/19 CHKD: RSILLER 2008/12/19 APPR: AVOGT 2008/12/19	QUALITY SYMBOLS ▽=0 ▽C=0	GENERAL TOLERANCES (UNLESS SPECIFIED)		DIMENSION STYLE MM ONLY		SCALE 1.5:1	DESIGN UNITS METRIC	FIRST ANGLE PROJECTION		
			mm	INCH	DRAWN BY KNOLLER	DATE 05/06/16	TITLE PUSH PULL RJ INDUSTRIAL THERMOPLASTIC IP67 RECEPTACLE ON PCB			
		4 PLACES	± ---	± ---	CHECKED BY FCARABET	DATE 05/06/20				
		3 PLACES	± ---	± ---	APPROVED BY KNOLLER	DATE 05/06/21	MOLEX INCORPORATED			
2 PLACES	± ---	± ---	MATERIAL NO. 85730-2050		DOCUMENT NO. SD-85730-001					
1 PLACE	± ---	± ---	ANGULAR ± 2 °		THIS DRAWING CONTAINS INFORMATION THAT IS PROPRIETARY TO MOLEX INCORPORATED AND SHOULD NOT BE USED WITHOUT WRITTEN PERMISSION					
DRAFT WHERE APPLICABLE MUST REMAIN WITHIN DIMENSIONS										

1.27um Au over Ni  
Data Contact Plating