

PLEASE CHECK WWW.MOLEX.COM FOR LATEST PART INFORMATION

Part Number: [0483251101](#)
Status: **Active**
Overview: slimline serial ata odd connectors
Description: 1.00mm (.039"), 1.27mm (.050") Pitch Slimline Serial ATA Receptacle, Right Angle, Reverse Type, Through Hole, Gold (Au) Flash Plating, with Screw and Clip, Lead free

Documents:

[3D Model](#) [Product Specification PS-48321-001 \(PDF\)](#)
[Drawing \(PDF\)](#) [RoHS Certificate of Compliance \(PDF\)](#)

Agency Certification

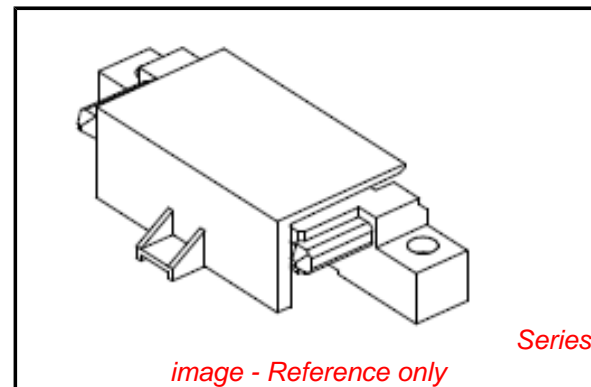
CSA LR19980
 UL E29179

General

Product Family PCB Receptacles
 Series [48325](#)
 Application Board-to-Board
 Comments Screw and Clip version
 Overview slimline serial ata odd connectors
 Product Name Serial ATA, Slimline Serial ATA

Physical

Circuits (Loaded) 13
 Circuits (maximum) 13
 Color - Resin Black
 Durability (mating cycles max) 500
 Flammability 94V-0
 Glow-Wire Compliant No
 Guide to Mating Part Yes
 Keying to Mating Part Yes
 Lock to Mating Part No
 Material - Metal Copper Alloy
 Material - Plating Mating Gold
 Material - Plating Termination Tin
 Material - Resin High Temperature Thermoplastic
 Number of Rows 1
 Orientation Right Angle
 PCB Locator Yes
 PCB Retention Yes
 PCB Thickness Recommended (in) 0.047 In
 PCB Thickness Recommended (mm) 1.20 mm
 Packaging Type Embossed Tape on Reel
 Pitch - Mating Interface (in) 0.039 In, 0.050 In
 Pitch - Mating Interface (mm) 1.00 mm, 1.27 mm
 Pitch - Term. Interface (in) 0.039 In, 0.050 In
 Pitch - Term. Interface (mm) 1.00 mm, 1.27 mm
 Plating min: Mating (µin) 2
 Plating min: Mating (µm) 0.05
 Plating min: Termination (µin) 100
 Plating min: Termination (µm) 2.54
 Polarized to Mating Part Yes
 Polarized to PCB Yes
 Robotic Placement Pick and Place Cap
 Stackable No
 Surface Mount Compatible (SMC) Yes



EU RoHS

ELV and RoHS Compliant
REACH SVHC Not Reviewed
Halogen-Free Status Not Reviewed

China RoHS



Need more information on product environmental compliance?

Email productcompliance@molex.com
 For a multiple part number RoHS Certificate of Compliance, [click here](#)

Please visit the [Contact Us](#) section for any non-product compliance questions.

Search Parts in this Series

[48325Series](#)

Mates With

[473001xxx Slimline Serial ATA Plugs](#)

Temperature Range - Operating -40°C to +85°C
Termination Interface: Style Through Hole

Electrical

Current - Maximum per Contact 1A
Grounding to PCB Yes
Voltage - Maximum 15V (RMS)

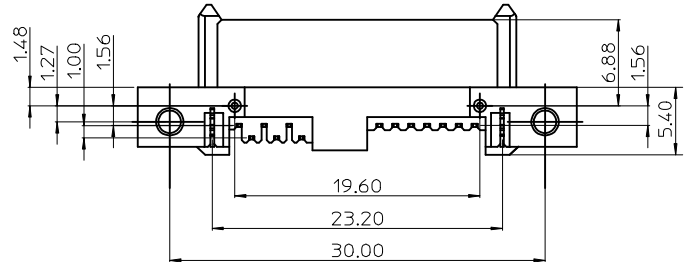
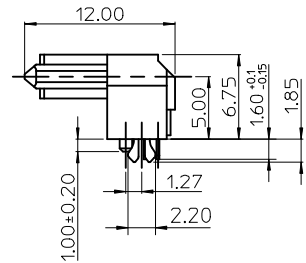
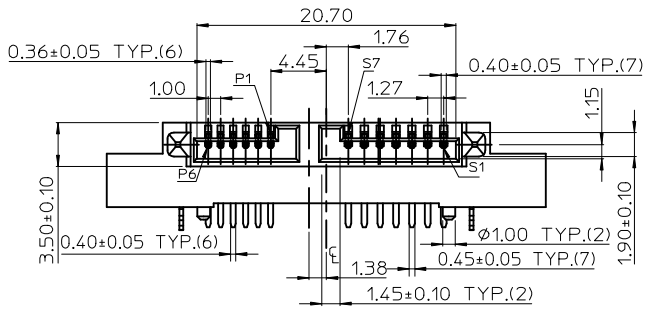
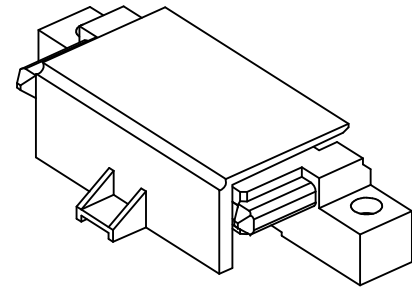
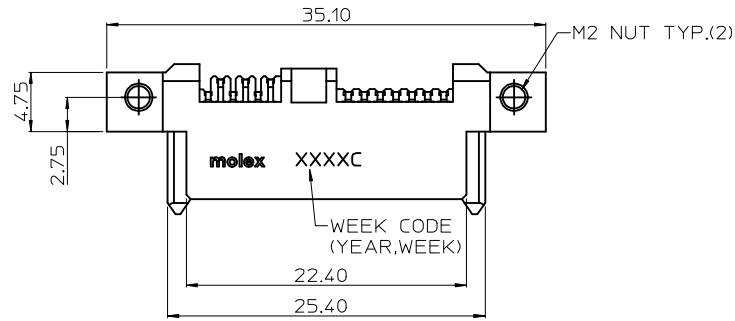
Material Info

Reference - Drawing Numbers

Packaging Specification PK-48325-002
Product Specification PS-48321-001
Sales Drawing SD-48325-002
Test Summary TS-48325-001

This document was generated on 05/31/2010

PLEASE CHECK WWW.MOLEX.COM FOR LATEST PART INFORMATION



MODIFY THE CAP EC NO: SH2009-0659 DRWN: F YANG05 CHKD: RZHANG APPR: H MWANG 2009/04/29 2009/04/29 2009/06/09	QUALITY SYMBOLS ▽=0 ◻=0	GENERAL TOLERANCES (UNLESS SPECIFIED)		DIMENSION STYLE MM ONLY		SCALE	DESIGN UNITS METRIC	THIRD ANGLE PROJECTION	
			mm	INCH	DRAWN BY LINDA	DATE 2008/01/04	TITLE		
		4 PLACES	± ---	± ---	CHECKED BY ALLEN LIN	DATE 2008/01/07	SLIMLINE SATA RECEPTACLE REVERSE RIGHT ANGLE WITH SCREW AND CLIP		
		3 PLACES	± ---	± ---	APPROVED BY ERICK LAN	DATE 2008/01/07			
		2 PLACES	± 0.25	± ---	MATERIAL NO. SEE SHEET 2		MOLEX INCORPORATED DOCUMENT NO. SD-48325-002		
1 PLACE	± 0.25	± ---	SHEET NO. 1 OF 2						

DRAFT WHERE APPLICABLE
MUST REMAIN
WITHIN DIMENSIONS

THIS DRAWING CONTAINS INFORMATION THAT IS PROPRIETARY TO MOLEX INCORPORATED AND SHOULD NOT BE USED WITHOUT WRITTEN PERMISSION

7

6

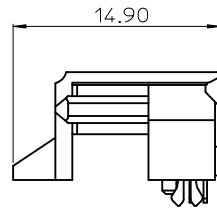
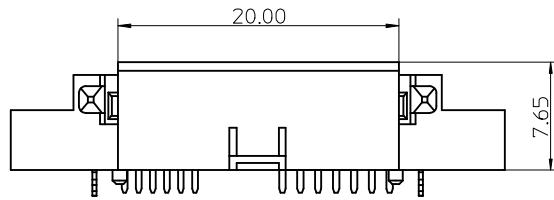
5

4

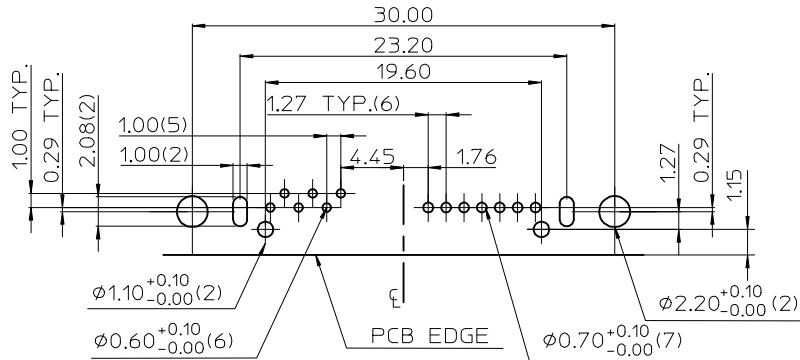
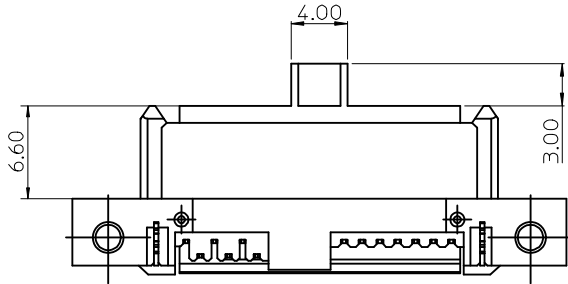
3

2

1



P/N	PLATING OPTIONS	WITHSTANDING MFG TEST
48325-1101	GOLD FLASH	NO
48325-1102	15 MICROINCH	NO
48325-1103	30 MICROINCH	YES



RECOMMENDED PC BOARD LAYOUT
TOLERANCE:±0.05mm(TOP VIEW)

NOTES:

- MATERIAL:
HOUSING & CAP : LIQUID CRYSTAL POLYMER, GLASS FIBER FILLED, UL94V-0, COLOR : BLACK.
TERMINAL : COPPER ALLOY.
NUT : ZINC ALLOY.
CLIP : COPPER ALLOY.
- PLATING:
TERMINAL:
CONTACT AREA : SEE TABLE
SOLDER TAIL : MATTE TIN PLATED, THICKNESS=100 MICROINCH MIN/2.54 MICROMETER MIN.
UNDER PLATE : NICKEL(Ni) PLATED OVERALL.
NUT : NICKEL(Ni) PLATED, THICKNESS=50 MICROINCH MIN/1.27 MICROMETER MIN.
UNDER PLATE : COPPER(Cu) PLATED OVERALL.
CLIP : TIN(Sn) PLATED, THICKNESS=100 MICROINCH MIN/2.54 MICROMETER MIN OVER NICKEL PLATED.
- MATES WITH : SERIES 47300.
- RECOMMENDED PCB THICKNESS:1.20±0.05mm.
- PRODUCT SPECIFICATION REFER TO PS-48321-001.
- TEST SUMMARY REFER TO TS-48325-001.
- PACKAGING SPECIFICATION REFER TO PK-48325-002.
- LEAD FREE & RoHS COMPLIANT PRODUCT.

MODIFY THE CAP EC NO: SH2009-0659 DRWN:F.YANG05 2009/04/29 CHKD:RZHANG 2009/04/29 APPR:H.WANG 2009/06/09	DESCRIPTION B	QUALITY SYMBOLS 	GENERAL TOLERANCES (UNLESS SPECIFIED)		DIMENSION STYLE MM ONLY		SCALE 1:1	DESIGN UNITS METRIC	THIRD ANGLE PROJECTION	
			mm	INCH	DRAWN BY LINDA	DATE 2008/01/04	TITLE SLIMLINE SATA RECEPTACLE REVERSE RIGHT ANGLE WITH SCREW AND CLIP			
			4 PLACES ± --- ± ---	3 PLACES ± --- ± ---	CHECKED BY ALLEN LIN	DATE 2008/01/07				
			ANGULAR ± 3 °		APPROVED BY ERICK LAN		DATE 2008/01/07	MOLEX INCORPORATED DOCUMENT NO. SD-48325-002 SHEET NO. 2 OF 2		
DRAFT WHERE APPLICABLE MUST REMAIN WITHIN DIMENSIONS		SEE THE TABLE		THIS DRAWING CONTAINS INFORMATION THAT IS PROPRIETARY TO MOLEX INCORPORATED AND SHOULD NOT BE USED WITHOUT WRITTEN PERMISSION						

6

5

4

3

2

1