

PLEASE CHECK WWW.MOLEX.COM FOR LATEST PART INFORMATION

Part Number: **0530140510**
Status: **Active**
Description: 2.00mm (.079") Pitch MicroBlade™ Wire-to-Board Header, Vertical, 5 Circuits

Documents:

[3D Model](#) [Product Specification PS-51004-002 \(PDF\)](#)
[Drawing \(PDF\)](#) [RoHS Certificate of Compliance \(PDF\)](#)

Agency Certification

CSA LR19980
 UL E29179

General

Product Family PCB Headers
 Series [53014](#)
 Application Wire-to-Board
 MolexKits Yes
 Product Name MicroBlade™

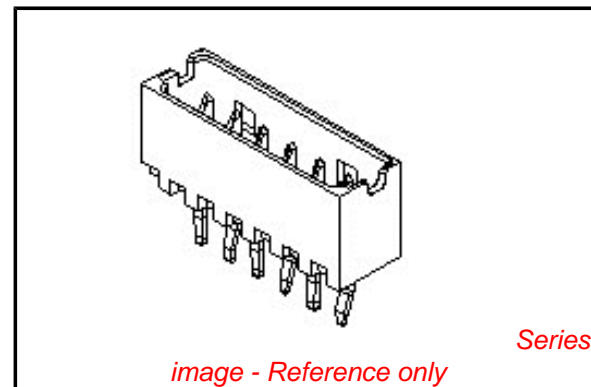
Physical

Breakaway No
 Circuits (Loaded) 5
 Durability (mating cycles max) 30
 First Mate / Last Break No
 Flammability 94V-0
 Glow-Wire Compliant No
 Guide to Mating Part No
 Keying to Mating Part None
 Lock to Mating Part Yes
 Material - Metal Phosphor Bronze
 Material - Plating Mating Tin
 Material - Plating Termination Tin
 Material - Resin Nylon
 Number of Rows 1
 Orientation Vertical
 PC Tail Length (in) 0.138 In
 PC Tail Length (mm) 3.50 mm
 PCB Locator No
 PCB Retention Yes
 PCB Thickness Recommended (in) 0.062 In
 PCB Thickness Recommended (mm) 1.60 mm
 Packaging Type Bag
 Pitch - Mating Interface (in) 0.079 In
 Pitch - Mating Interface (mm) 2.00 mm
 Polarized to PCB No
 Shrouded Fully
 Stackable No
 Surface Mount Compatible (SMC) No
 Temperature Range - Operating -20°C to +85°C
 Termination Interface: Style Through Hole

Electrical

Current - Maximum per Contact 2A
 Voltage - Maximum 125V

Material Info



EU RoHS

ELV and RoHS Compliant
REACH SVHC
 Not Reviewed
Halogen-Free Status

China RoHS



Need more information on product environmental compliance?

Email productcompliance@molex.com
 For a multiple part number RoHS Certificate of Compliance, [click here](#)

Please visit the [Contact Us](#) section for any non-product compliance questions.

Search Parts in this Series

[53014Series](#)

Mates With

[51004](#) Crimp Housing. [50011](#) Crimp Terminal

Reference - Drawing Numbers

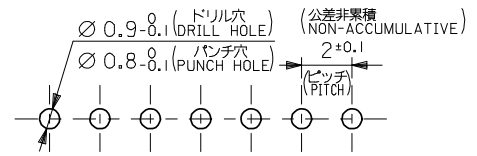
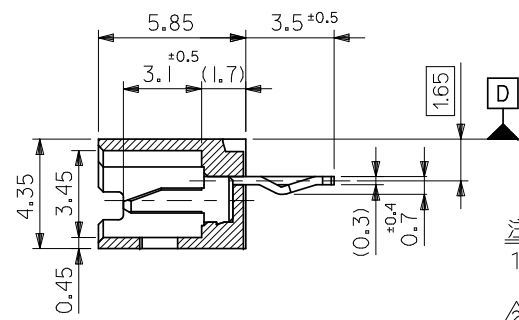
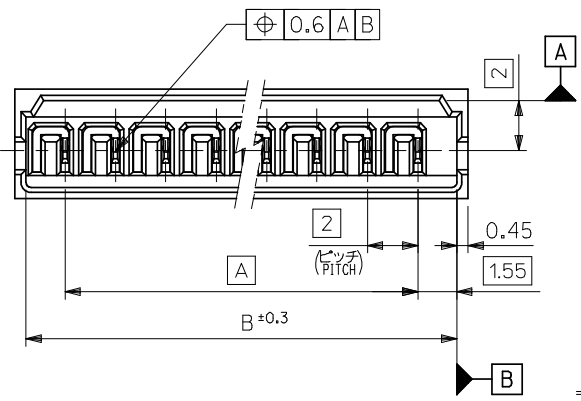
Packaging Specification
Product Specification

SPK-53014-001
PS-51004-002, RPS-51004-001, RPS-51004-002,
RPS-51004-003, RPS-51004-004, RPS-51004-008,
RPS-51004-010, RPS-51004-011, RPS-51004-014,
RPS-51004-018, RPS-51004-019, RPS-51004-020,
RPS-51004-022, RPS-51004-023, RPS-51004-024,
RPS-51004-025, RPS-53014-001
SD-53014-001

Sales Drawing

This document was generated on 06/07/2010

PLEASE CHECK WWW.MOLEX.COM FOR LATEST PART INFORMATION

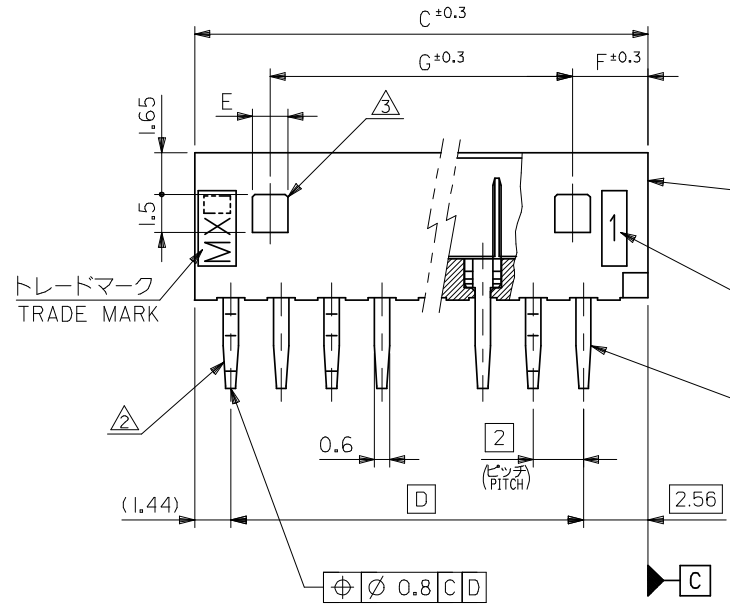
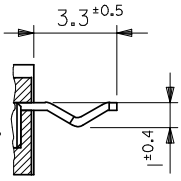


基板取付穴推奨寸法 (参考)
RECOMMENDED P.C.BOARD HOLE DIMENSION (REFERENCE)

注記 NOTES

1. 嵌合相手 : 51004-**00
MATES WITH : 51004-**00
2. 3極以上のキンク加工については、トレードマーク側からキンク、ストレートの順に、1極おきに2箇所以上に施すこと。
KINK TO BE ADDED ON THE ODD NUMBER SOLDER TAILS. (FROM THE TRADE MARK SIDE.)
3. ロック用の穴は、2極品及び3極品に1ヶ、4極品以上は2ヶとする。
LOCKING HOLE : 1 PLACE FOR 2, 3 CKTS, 2 PLACES FOR 4 CKTS. AND MORE THAN 4 CKTS.

2極品のキンク形態図
KINK FORM FOR 2 CKTS.
両方のテールにキンクを施す。
SOLDER TAIL KINK SHOULD BE ADDED ON BOTH TAILS.



ウエハー
WAFER
(ナイロン66、ガラス入り)
(NYLON66, GLASS FILLED)
UL94V-0
回路番号
CIRCUIT NO.
PIN
(リン青銅 錫メッキ)
(PHOSPHOR BRONZE,
PRE-TINNED, t=0.32)

26	3	1.4	28	32	31.1	28	53014-1510	15
24	3	1.4	26	30	29.1	26	-1410	14
22	3	1.4	24	28	27.1	24	-1310	13
20	3	1.4	22	26	25.1	22	-1210	12
18	3	1.4	20	24	23.1	20	-1110	11
16	3	1.4	18	22	21.1	18	-1010	10
14	3	1.4	16	20	19.1	16	-0910	9
12	3	1.4	14	18	17.1	14	-0810	8
10	3	1.4	12	16	15.1	12	-0710	7
8	3	1.4	10	14	13.1	10	-0610	6
6	3	1.4	8	12	11.1	8	-0510	5
4	3	1.4	6	10	9.1	6	-0410	4
—	4	3.4	4	8	7.1	4	-0310	3
—	3	1.4	2	6	5.1	2	53014-0210	2
G	F	E	D	C	B	A	PLASTIC BAG	極数 NO. OF CKTS.
							ORDER No. オーダー番号	

REVISED EC NO: J2009-0377 DRWN: MWABEJ 2008/08/07 CHKD: THARUYAMA 2008/08/18 APPR: NUKITA 2008/08/19	GENERAL TOLERANCES (UNLESS SPECIFIED)		DIMENSION STYLE	SCALE	DESIGN UNITS	MODEL NO.
			MM ONLY	5:1	METRIC	53014-**10
	10 UNDER ±0.2 10 OVER 30 UNDER ±0.25 30 OVER ±0.3		DRAWN BY	DATE	TITLE	2.0 LOW PROFILE WAFER ASSY
	ANGULAR ±3 ° DRAFT WHERE APPLICABLE MUST REMAIN WITHIN DIMENSIONS		M. HENMI	'92/03/06		
			CHECKED BY	DATE		
			M. FUKUSHIMA	'92/05/28		
			APPROVED BY	DATE		
			M. ENOMOTO	'92/05/28		
			MATERIAL NO.	DOCUMENT NO.		
			SEE TABLE			
			SIZE	THIS DRAWING CONTAINS INFORMATION THAT IS PROPRIETARY TO MOLEX INCORPORATED AND SHOULD NOT BE USED WITHOUT WRITTEN PERMISSION		
			A3			