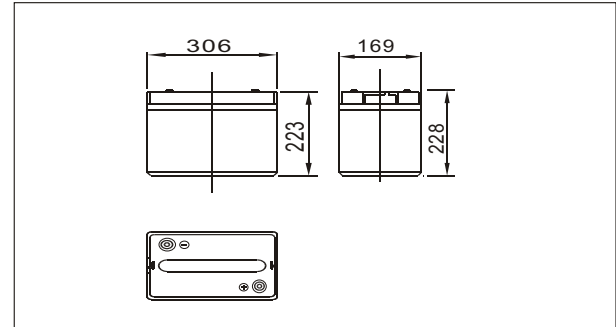




SW61900E(6V190AH)



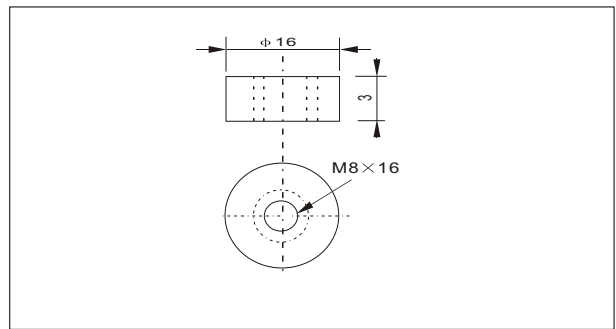
Outer dimensions (mm)



Specifications

Nominal Voltage		6V
Rated capacity (10 hour rate)		190 Ah
Dimensions	Total Height	228 mm (8.97 inches)
	Height	223 mm (8.77 inches)
	Length	306 mm (12.04 inches)
	Width	169 mm (6.63 inches)
Weight Approx		29 Kg (63.8lbs)

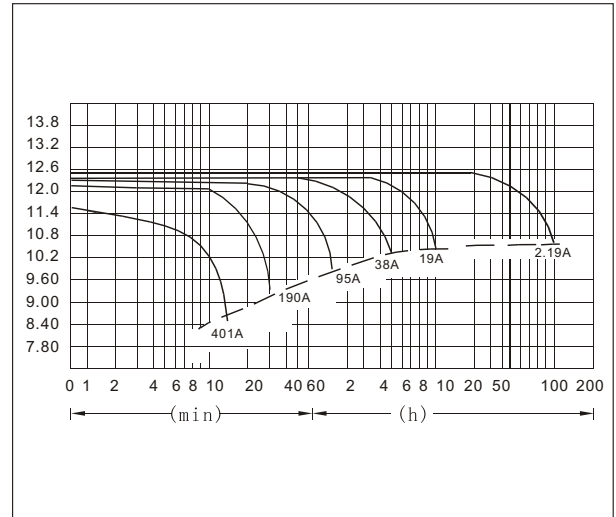
Terminal Type (mm)



Characteristics

Capacity 25°C(77°F)	10 hour rate(19A)	190 AH
	5 hour rate(30.4A)	152 AH
	1 hour rate(104.5 A)	104.5 AH
Internal Resistance	1.5 hour discharge to 5.25V	76 A
	Full charged Battery at 25°C(77°F)	2m Ω
Capacity affected by Temperature (10hour rate)	40°C(104°F)	102%
	25°C(77°F)	100%
	0°C(32°F)	85%
	-15°C(5°F)	65%
Self-Discharge at 25°C(77°F)	Capacity after 3 month storage	91%
	Capacity after 6 month storage	82%
	Capacity after 12 month storage	64%
Terminal		T19
Charge (constant Voltage)	Cycle	Initial Charging Current less than 47.5 A Voltage 7.05-7.20V
	Float	Voltage 6.75-6.90V

Discharge Curves 25°C(77°F)



Constant Current(Amp) and Constant Power(Watt) Discharge Table at 25°C(77°F)

Time		10min	30min	1h	3h	4h	5h	8h	10h	20h	50h	100h
4.80V	A	401	217	114	48.8	38.0	31.4	22.1	20.0	10.77	4.48	2.30
	W	4452	2320	1320	565	440	363	256	231	124.8	53.4	27.4
5.10V	A	390	211	107.2	47.5	37.1	30.8	21.6	19.5	10.51	4.33	2.24
	W	4282	2299	1241	550	429	356	250	225	121.7	51.5	26.6
5.25V	A	372	201	104	46.4	36.5	30.4	21.5	19.0	10.37	4.26	2.19
	W	4150	2170	1201	537	422	352	249	223	120.1	50.7	26.0
5.40V	A	348	194	100	45.2	35.9	29.6	20.9	18.5	10.26	4.18	2.17
	W	3988	2088	1149	526	414	345	243	221	119.4	49.8	25.8
5.55V	A	319	179	94	43.7	34.8	28.9	20.3	18.05	9.75	4.10	2.09
	W	3920	2071	1119	520	412	344	242	215	116.0	48.8	24.9