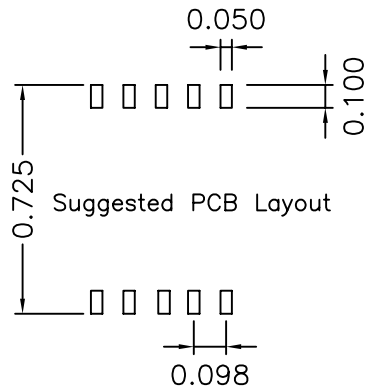
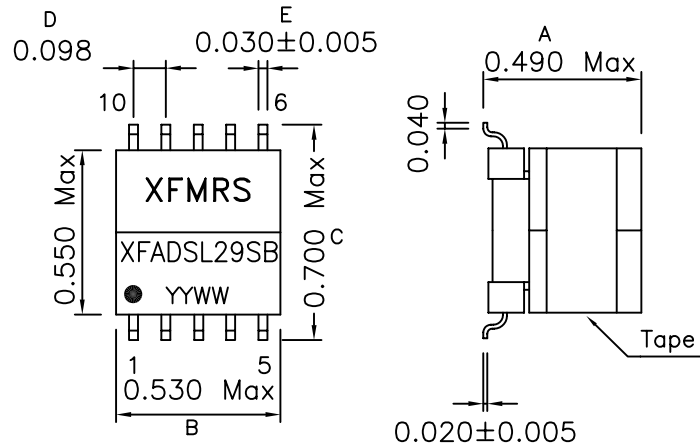


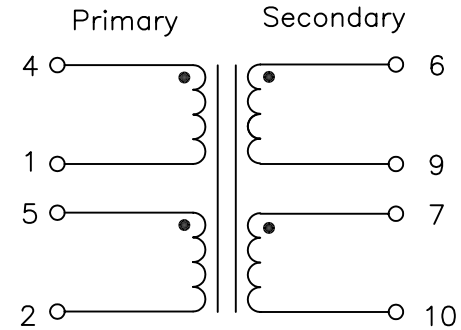
1. Mechanical Dimensions:



Notes:

- Solderability: Leads shall meet MIL-STD-202, Method 208D for solderability.
- Flammability: UL94V-0
- ASTM oxygen index: > 28%
- Temperature rating: 155°C. UL file E151556
- Operating Temperature Range: -40°C to +85°C
- UL1950 approved for the requirements of Supplementary Insulation with 300 working volts. UL file #E165866

2. Schematic:



3. Electrical Specifications:

OCL: Pins 1-5 410uH±5% @10KHz, 0.1V (tie 2-4)
 Leakage L: Pins 1-5 7uH Max @100KHz, 0.1V
 (Short Pins 10-6, 4-2, 9-7)
 Turns Ratio: (4-2):(6-10) 2CS:1CS±1%
 DC Res: (Pins 1-4, 2-5) 0.400 Ohms Max
 DC Res: (Pins 10-7, 9-6) 0.200 Ohms Max
 HIPOT: 2000Vrms Pri to Sec, 1 Second
 HIPOT: 500Vrms Pri-Pri, Sec-Sec, 1 Second
 HIPOT: 1500Vrms Wdgs-Core, 1 Second

DOC. REV: A/2

XFMRS Inc	Title: ADSL CO Transformer		
	UNLESS OTHERWISE SPECIFIED	P/N: XFADSL29SB	REV. A
TOLERANCES: .xxx ±0.010	DWN.	李小锋	Apr-08-04
Dimensions in INCH	CHK.	廖玉坤	Apr-08-04
SHEET 1 OF 1	APP.	Joe Huff	Apr-08-04