

PLEASE CHECK WWW.MOLEX.COM FOR LATEST PART INFORMATION

Part Number: **0490330315**
Status: **Active**
Description: 3.80mm (.150") Pitch Wire-to-Wire Male Housing, 3 Circuits, for 090-II Terminal, with TPA, Gray

Documents:

[Drawing \(PDF\)](#) [RoHS Certificate of Compliance \(PDF\)](#)
[Product Specification PS-49033-001 \(PDF\)](#)

General

Product Family Crimp Housings
 Series 49033
 Product Name N/A

Physical

Circuits (maximum) 3
 Color - Resin Black, Gray
 Gender Male
 Glow-Wire Compliant No
 Lock to Mating Part Yes
 Material - Resin Polyester
 Number of Rows 1
 Packaging Type Bag
 Panel Mount No
 Pitch - Mating Interface (in) 0.150 In
 Pitch - Mating Interface (mm) 3.80 mm
 Polarized to Mating Part Yes
 Stackable No
 Temperature Range - Operating -40°C to +80°C

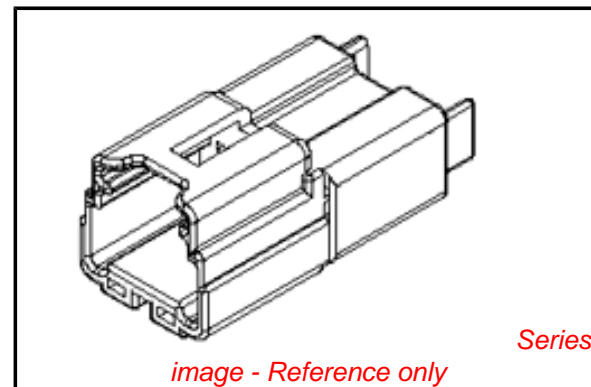
Electrical

Current - Maximum per Contact 10A

Material Info

Reference - Drawing Numbers

Product Specification PS-49033-001
 Sales Drawing SD-49033-001



EU RoHS

ELV and RoHS Compliant
REACH SVHC
 Not Reviewed
Halogen-Free Status

China RoHS



Need more information on product environmental compliance?

Email productcompliance@molex.com
 For a multiple part number RoHS Certificate of Compliance, [click here](#)

Please visit the [Contact Us](#) section for any non-product compliance questions.

Search Parts in this Series

49033Series

Mates With

49034-0310

Use With

35420-9702

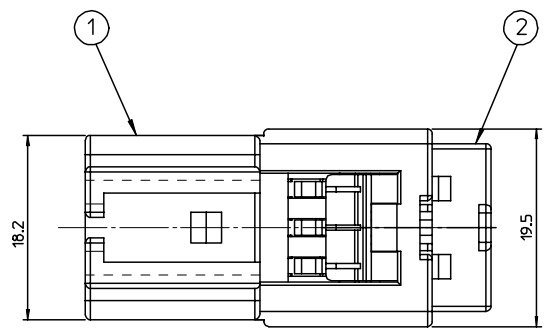
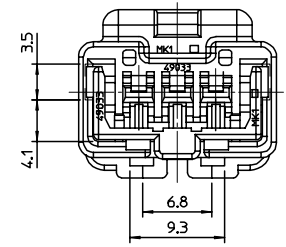
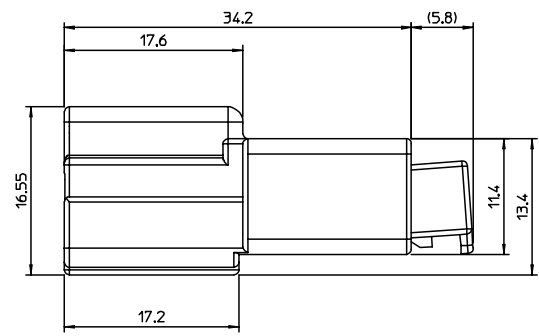
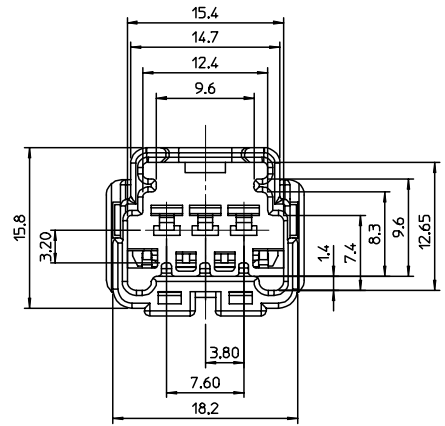
DWG. NO. SD-49033-001

SIMILAR ITEM

PROJECT NO.

B

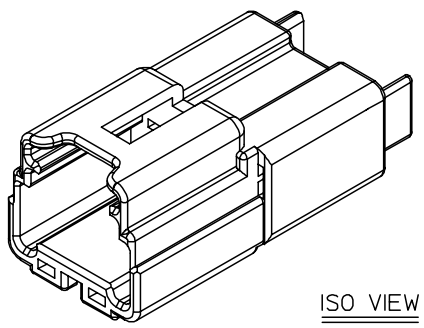
DO NOT SCALE DRAWING
DIMENSION IN METRIC



<NOTE>

- 1. MATERIAL : SEE TABLE
- 2. MATING CONNECTOR : 49034-0310
- 3. APPLICABLE TERMINAL : 35420-9*02

| NO. | PART NO. | PART NAME | MATERIAL | COLOR |
|-----|-------------|---------------|-----------|---------|
| 1 | Ⓐ49033-0390 | .090 M/HSG 3P | POLYESTER | NATURAL |
| | Ⓑ49033-0395 | .090 M/HSG 3P | POLYESTER | GRAY |
| 2 | Ⓒ49033-0381 | .090 M/TPA 3P | POLYESTER | BLACK |



| MATERIAL NO. | ENG. NO. | REMARKS |
|--------------|------------|---------|
| 490330310 | 49033-0310 | Ⓐ + Ⓒ |
| 490330315 | 49033-0315 | Ⓑ + Ⓒ |

| | | | | | | | | | |
|--|--|--|--|--|---|--|--|-----|-----------|
| NEW RELEASED ECN NO. KOR2004-0092 DRWNS.MKIM 04/01/27 CHK.B.C.YOON 04/01/27 APPR.C.W.LEE | QUALITY SYMBOLS MAJOR ▽ CRITICAL ▽ | GENERAL TOLERANCES: (UNLESS SPECIFIED) | | SCALE 2:1 | DESIGN UNITS <input checked="" type="checkbox"/> mm <input type="checkbox"/> INCH | THIRD ANGLE PROJECTION <input checked="" type="checkbox"/> mm <input type="checkbox"/> INCH | DIMENSIONS: <input type="checkbox"/> mm <input type="checkbox"/> INCH <input checked="" type="checkbox"/> mm ONLY | SHT | REV |
| | | 4 PLACES ±0. | ±. | DRAWN BY & DATE S.M.KIM 03/12/01 | TITLE: .090-II W/W MALE HSG ASS'Y 3P | | | | |
| | | 3 PLACES ±0. | ±. | CHECKED BY & DATE B.C.YOON 03/12/01 | | | | | |
| | | 2 PLACES ±0.20 | ±. | APPROVED BY & DATE C.W.LEE 03/12/01 | MOLEX INCORPORATED CAD FILENAME: SD49033.MI MATERIAL NO.: SEE TABLE DRAWING NO.: SD-49033-001 SHEET NO.: 1 OF 1 | | | | |
| 1 PLACE ±0.30 | ±. | ANGULAR: ± 1 ° | | | | | | | |
| DRAFT WHERE APPLICABLE MUST REMAIN WITHIN DIMENSIONS | | | THIS DRAWING CONTAINS INFORMATION THAT IS PROPRIETARY TO MOLEX INCORPORATED AND SHOULD NOT BE USED WITHOUT WRITTEN PERMISSION. | | | | | | SIZE B |