

**PLEASE CHECK WWW.MOLEX.COM FOR LATEST PART INFORMATION**

**Part Number:** [0643191201](#)  
**Status:** **Active**  
**Overview:** [cmc connectors](#)  
**Description:** CMC Wire Cap for 32 Circuits, CMC Receptacle Mat Sealed

**Documents:**

[3D Model](#) [Product Specification PS-64319-001 \(PDF\)](#)  
[Drawing \(PDF\)](#) [RoHS Certificate of Compliance \(PDF\)](#)  
[Application Specification \(PDF\)](#)

**General**

Product Family	Crimp Housings
Series	<a href="#">64319</a>
Comments	For left and right wire output
More Detailed Tech Information	Wire cap guides the wires from the connector either to the right or to the left
Overview	<a href="#">cmc connectors</a>
Product Name	CMC

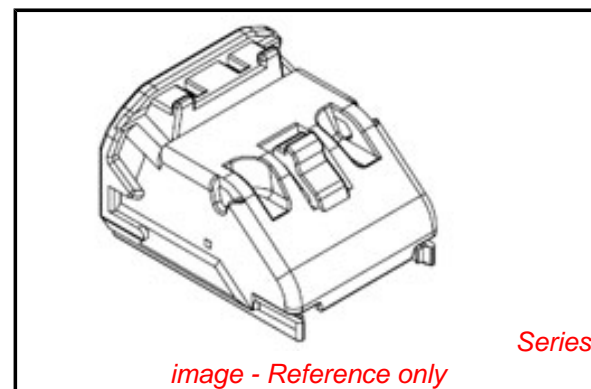
**Physical**

Circuits (maximum)	0
Circuits Detail	Wire Cap 32 circuit
Color - Resin	Black
Gender	N/A
Glow-Wire Compliant	No
Keying to Mating Part	N/A
Lock to Mating Part	Yes
Material - Resin	Nylon
Number of Rows	0
Packaging Type	Carton
Panel Mount	No
Pitch - Mating Interface (in)	0.000 In
Pitch - Mating Interface (mm)	0.00 mm
Polarized to Mating Part	N/A
Stackable	No
Temperature Range - Operating	-40°C to +125°C

**Material Info**

**Reference - Drawing Numbers**

Application Specification	AS-64319-001, AS-98993-011
Packaging Specification	PK-64319-002
Product Specification	PS-64319-001
Sales Drawing	SD-64319-002, SD-98993-004



**EU RoHS**

**ELV and RoHS Compliant**  
**REACH SVHC**  
**Contains SVHC: No**  
**Halogen-Free Status**

**China RoHS**



**Need more information on product environmental compliance?**

Email [productcompliance@molex.com](mailto:productcompliance@molex.com)  
 For a multiple part number RoHS Certificate of Compliance, [click here](#)

Please visit the [Contact Us](#) section for any non-product compliance questions.

**Search Parts in this Series**

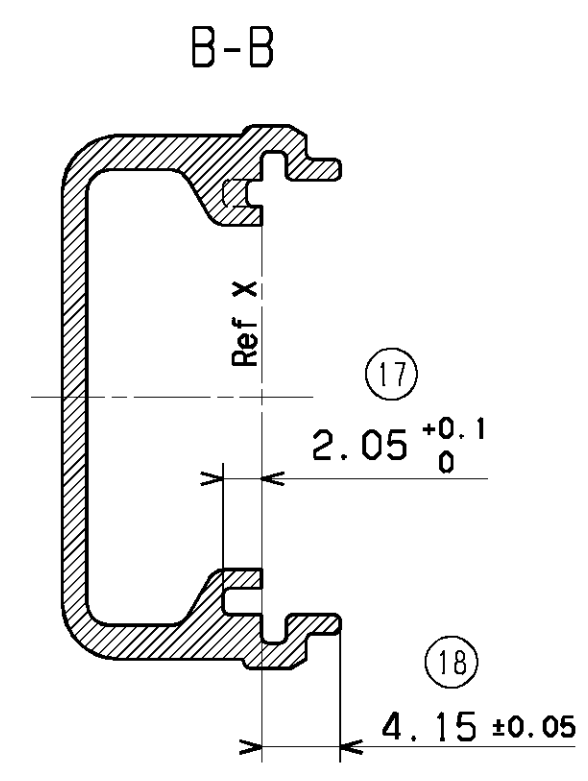
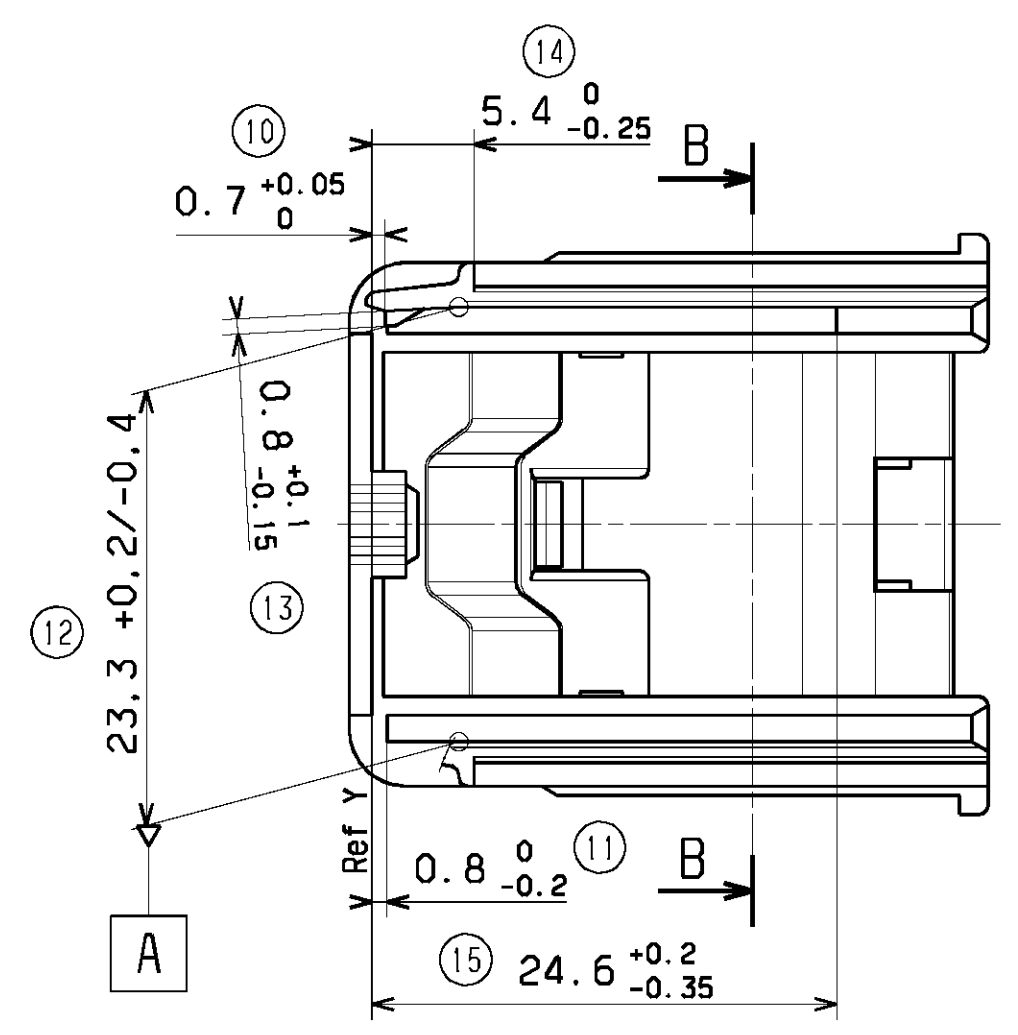
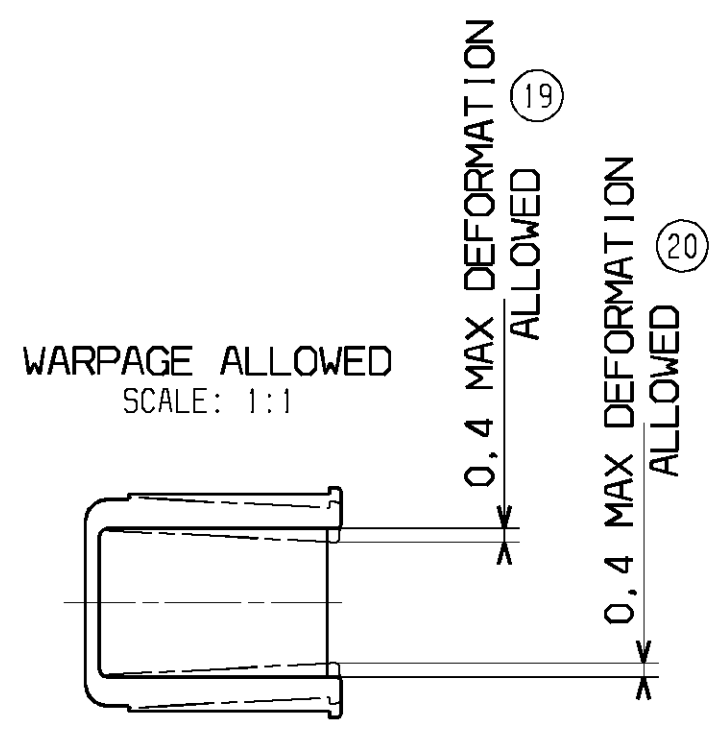
[64319Series](#)

**Mates With**

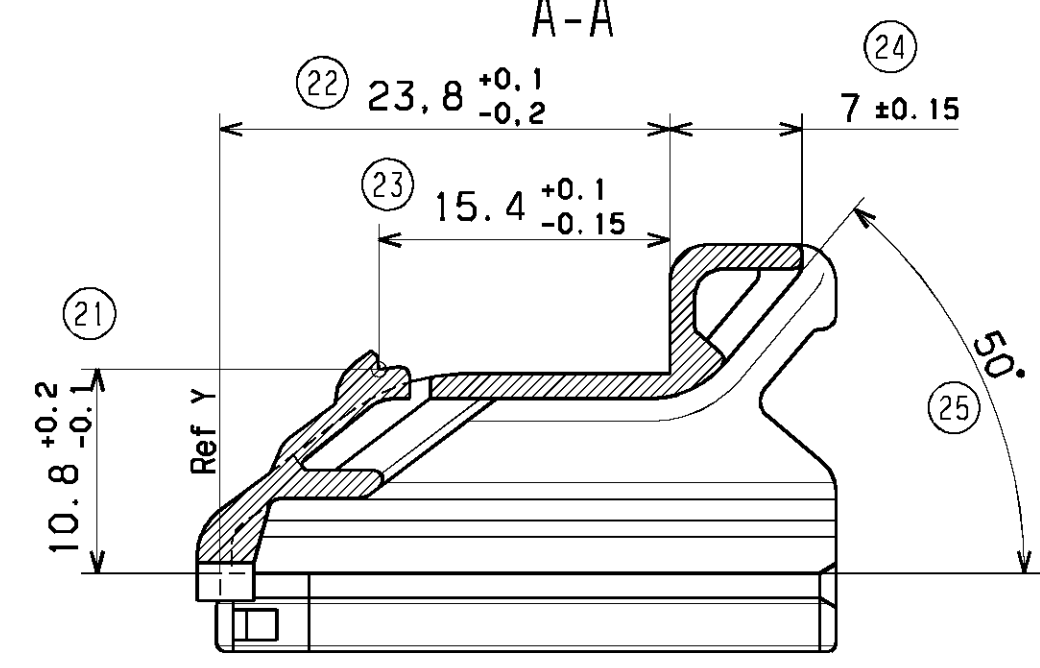
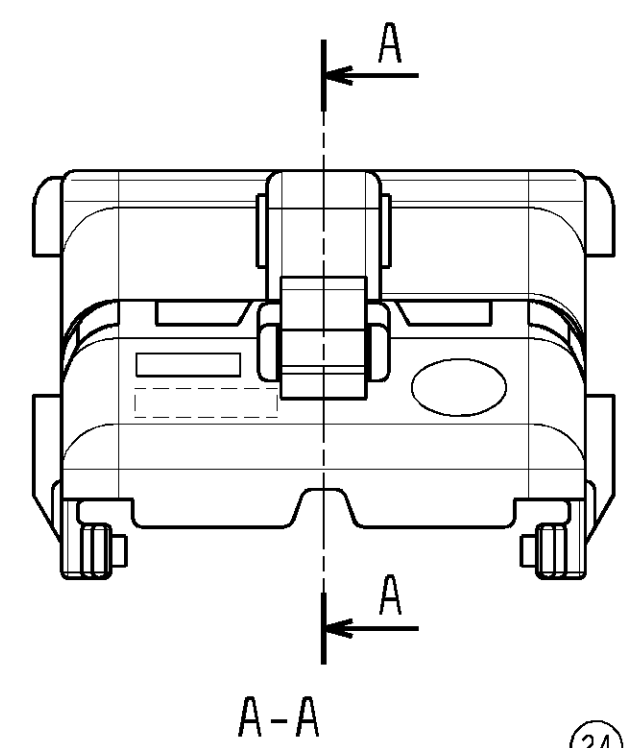
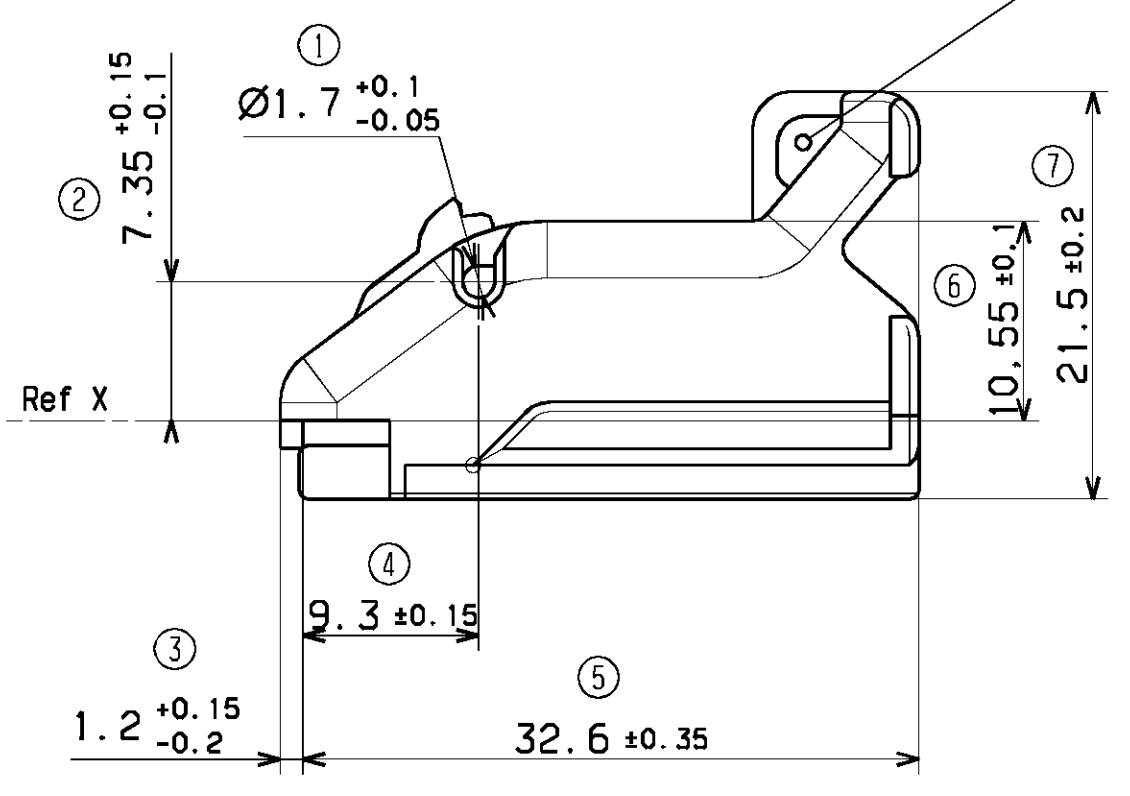
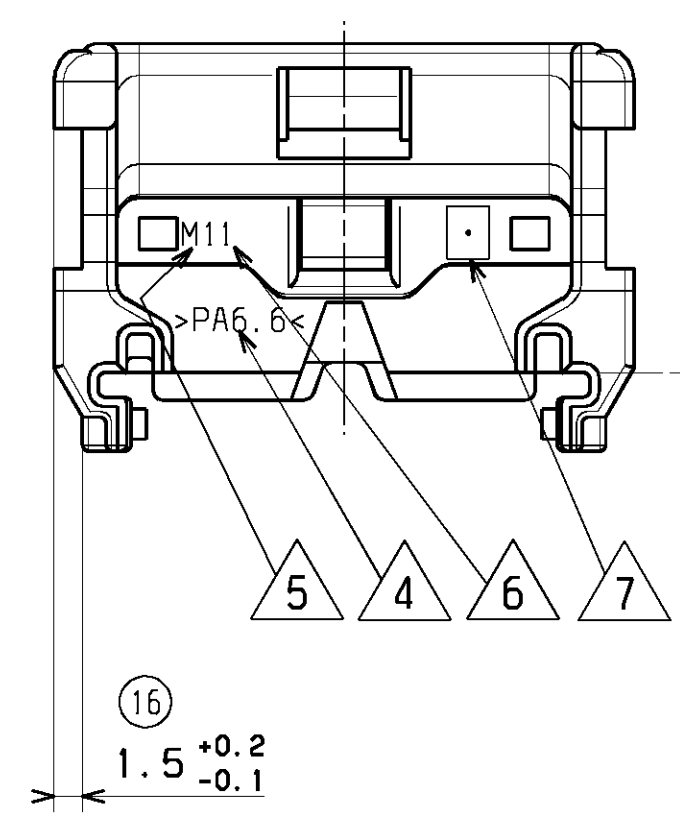
[64319 CMC Receptacle](#)

**Use With**

CMC CP Terminals [64322](#) , [64323](#). CMC Wire Cap [643191201](#). Sealing Plugs [643251010](#) , [643251023](#)



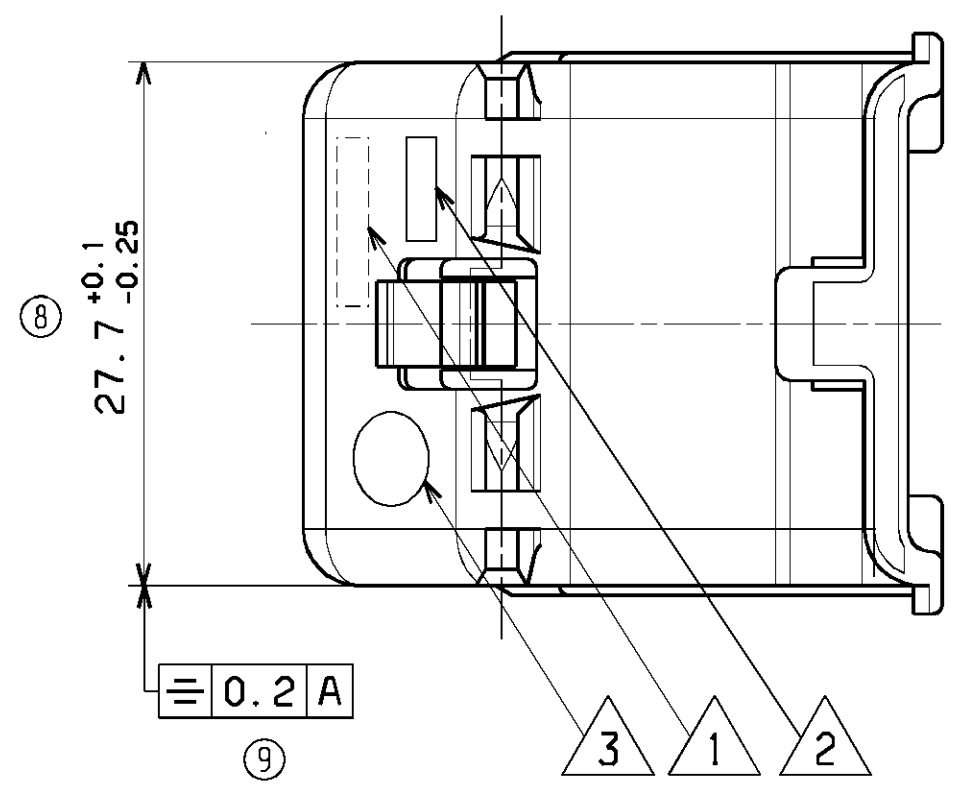
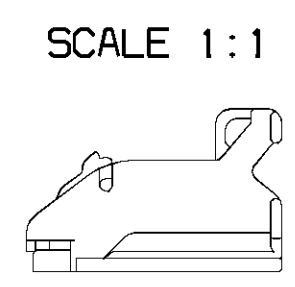
This hole accept a cable-tie maximum section of 3,2x1,2mm



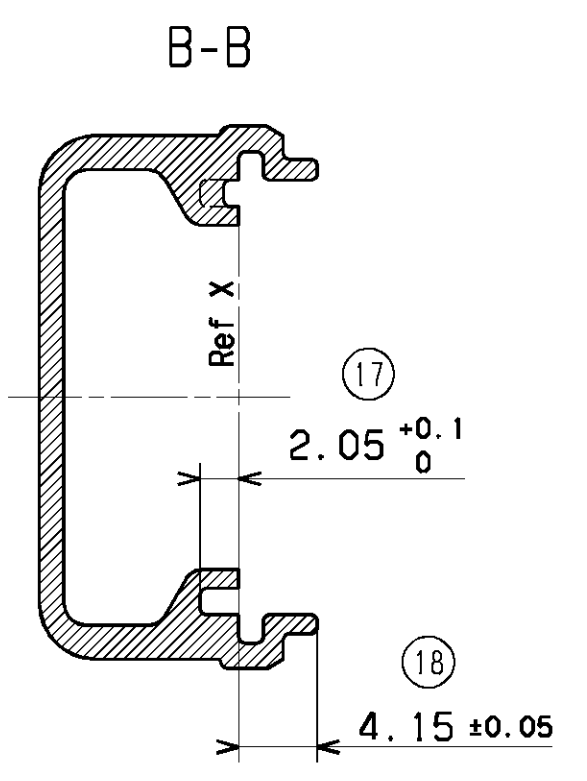
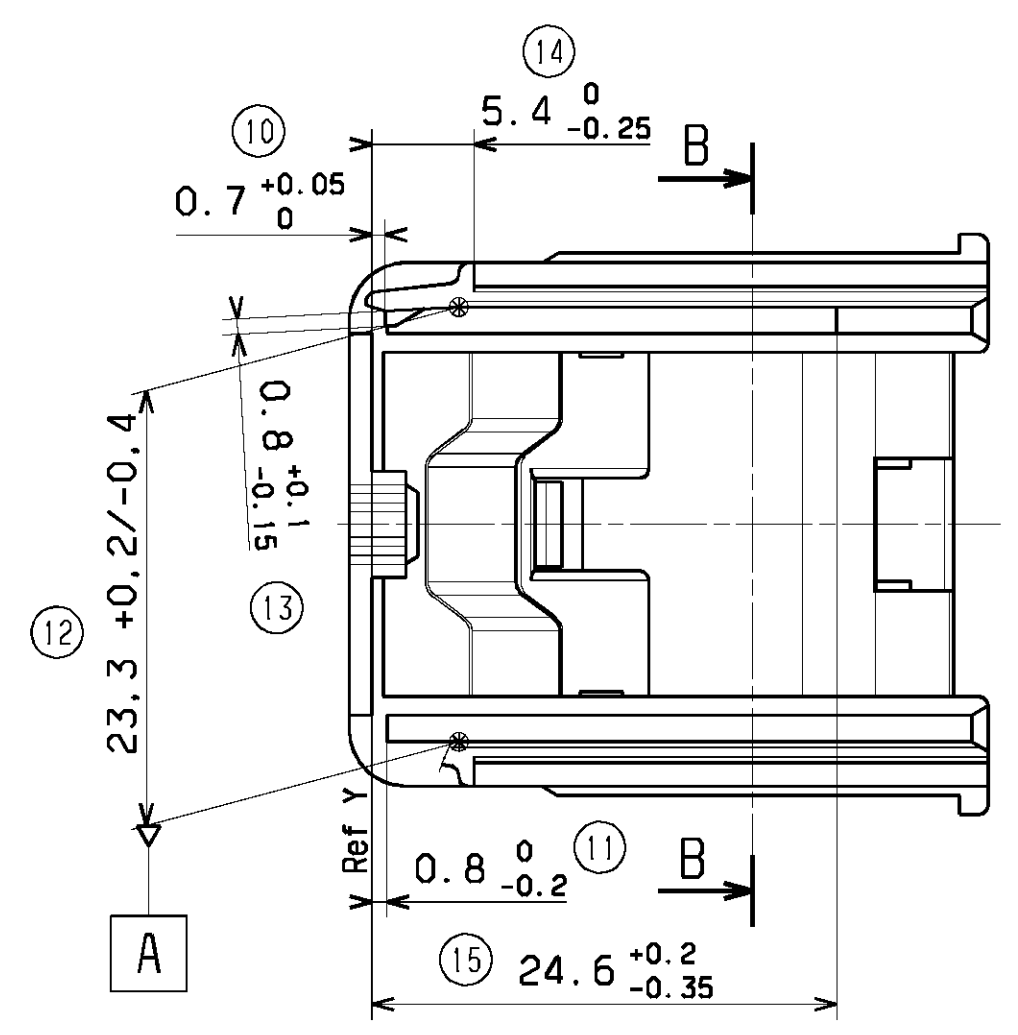
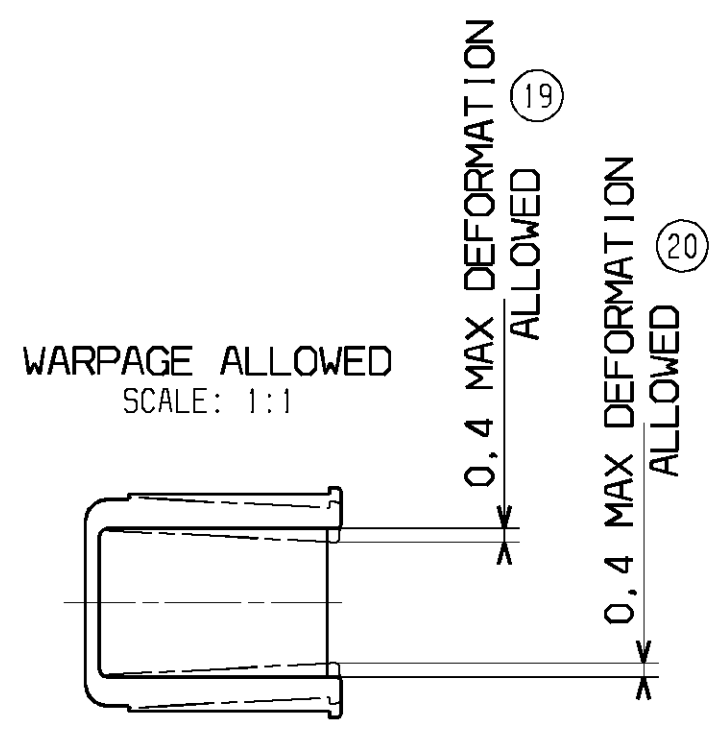
MARKINGS

1	Supplier identification
2	Supplier part number
3	Date MONTH/YEAR
4	Material
5	Mould identification M1 ou M2
6	Print identification (number)
7	Revision level identification

- NOTES
- 1-MATERIAL : PA 6.6 BLACK heat stabilized
  - 2-DELIVERED PRODUCT WEIGHT: 3,6 g
  - 3-RELATED COUNTERPART FEMALE CONNECTORS (32WAY)



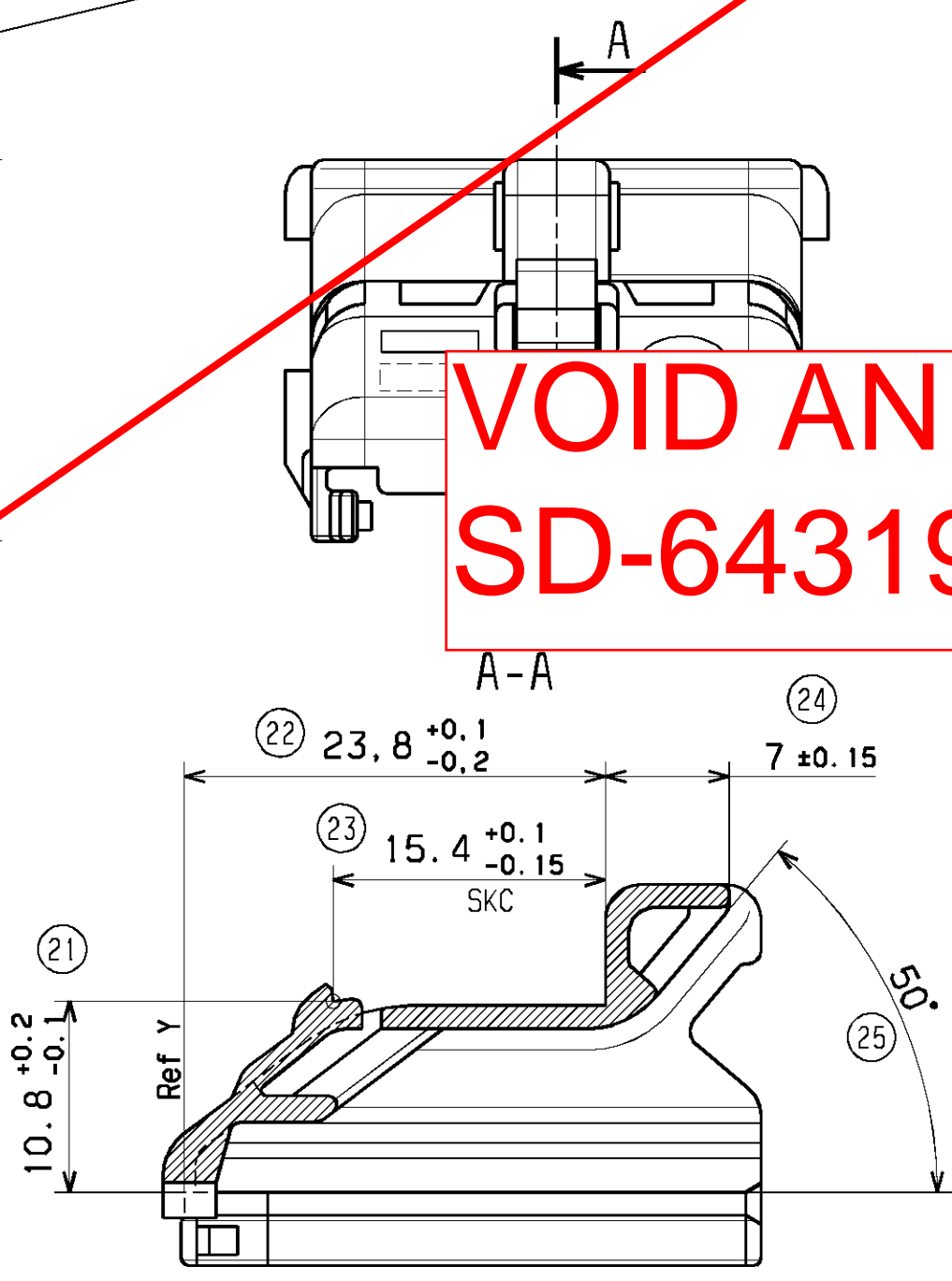
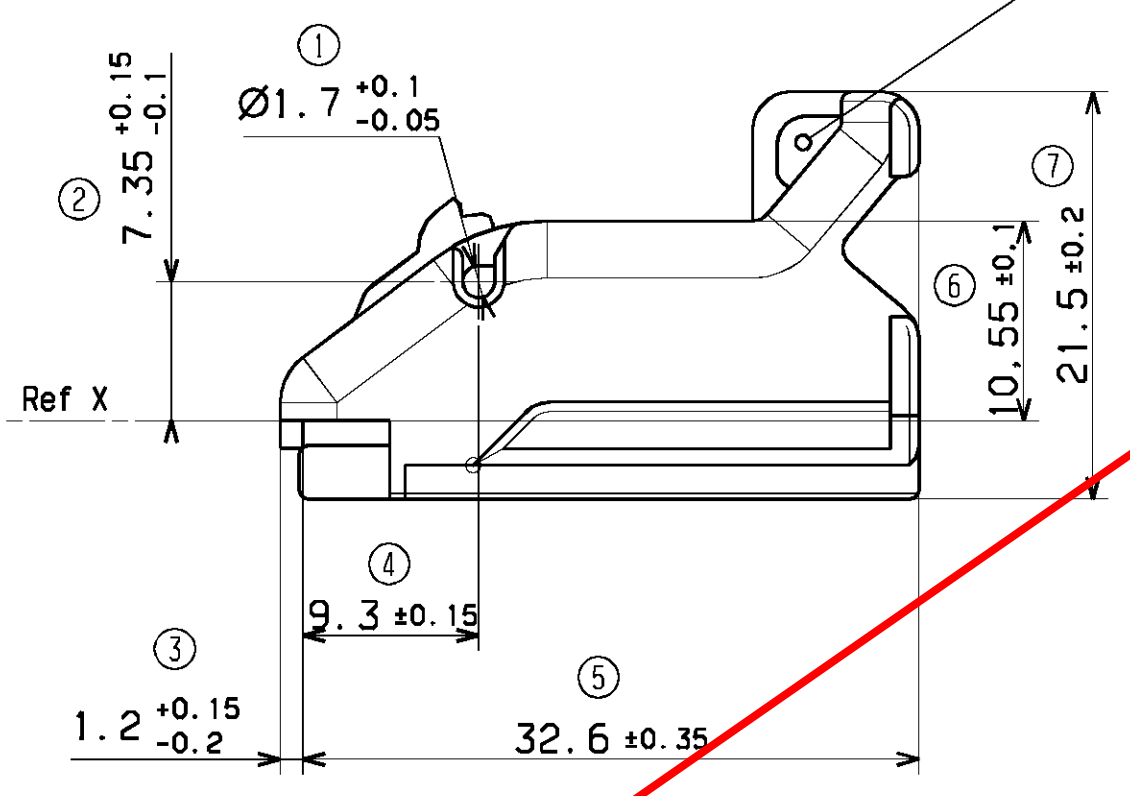
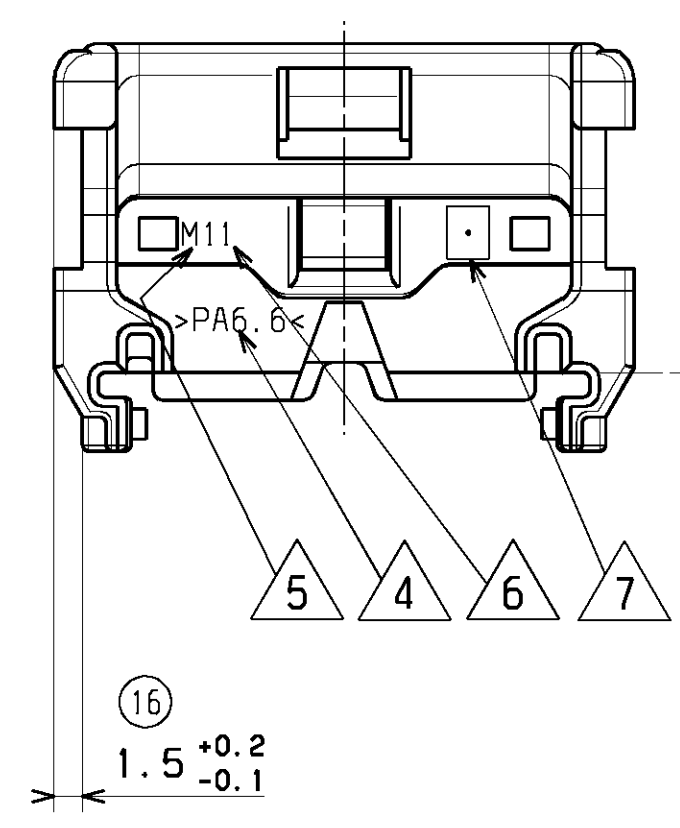
UPDATED DRAWING EC NO: G2008-0367 DRWN: TBADAROUX 2008/05/16 CH *KD: PGRANDCL 2008/05/16 APPR: CBOUCHAN 2008/05/16	GENERAL TOLERANCES (UNLESS SPECIFIED)		DIMENSION STYLE MM ONLY		SCALE 2,5:1	DESIGN UNITS METRIC	FIRST ANGLE PROJECTION		
	4 PLACES ±	±	mm	INCH	DRAWN BY TBADAROUX		DATE 2007/07/16		
	3 PLACES ±	±			CHECKED BY PGANDCLAUDE		DATE 2007/07/16		
	2 PLACES ± 0.1	±			APPROVED BY CBOUCHAN		DATE 2007/07/16		
1 PLACE ± 0.1 ±		ANGULAR ± 2 °		MATERIAL NO. 0643191201		DOCUMENT NO. SD-64319-002		SHEET NO. 1 OF 1	
DRAFT WHERE APPLICABLE MUST REMAIN WITHIN DIMENSIONS				SIZE A2		THIS DRAWING CONTAINS INFORMATION THAT IS PROPRIETARY TO MOLEX INCORPORATED AND SHOULD NOT BE USED WITHOUT WRITTEN PERMISSION			



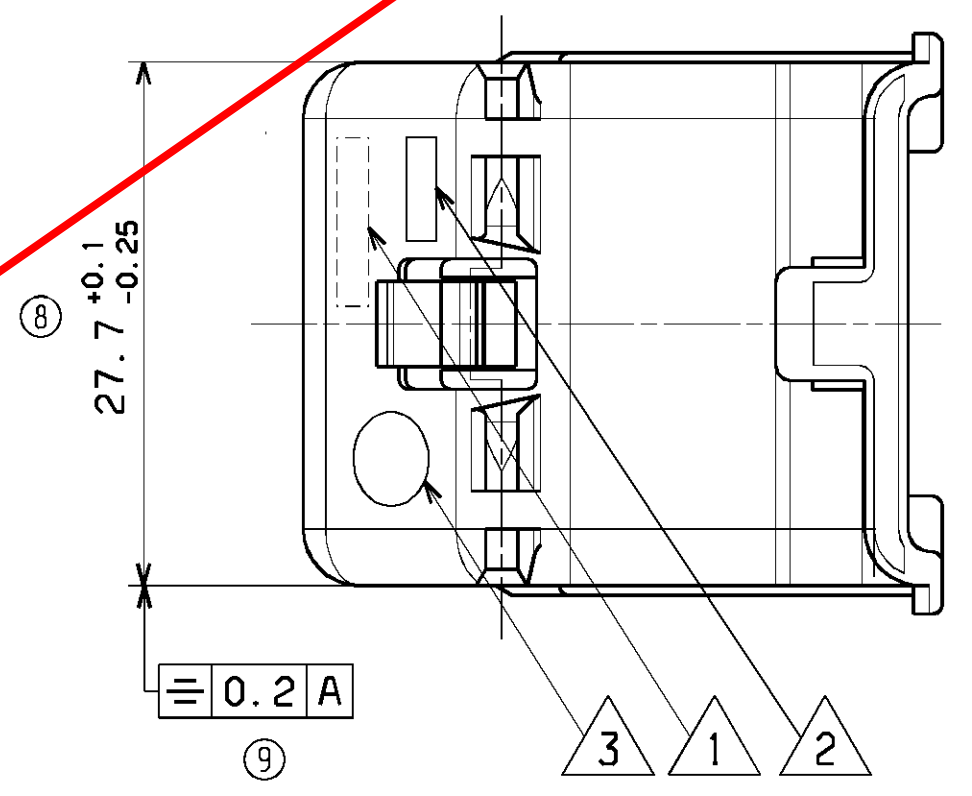
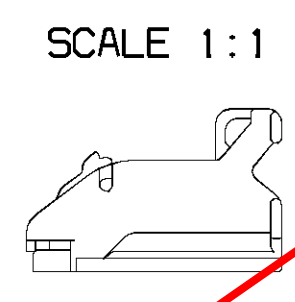
This hole accept a cable-tie maximum section of 3,2x1,2mm

MARKINGS	
△ 1	Supplier identification
△ 2	Supplier part number
△ 3	Date MONTH/YEAR
△ 4	Material
△ 5	Mould identification M1 ou M2
△ 6	Print identification (number)
●	DENOTES FUNCTIONAL DIMENSIONS
QUANTITY PER INDIVIDUAL SHEET	
☒ 0	☒ 0
● 0	SKC: 1

**VOID AND SUPERSEDED BY SD-64319-002 rev B**



- NOTES
- 1-MATERIAL : PA 6.6 BLACK heat stabilized
  - 2-DELIVERED PRODUCT WEIGHT: 3,6 g
  - 3-RELATED COUNTERPART FEMALE CONNECTORS T2 (32WAY)



UPDATED DRAWING EC NO: G2008-0367 DRWN: TBADAROUX 2008/04/21 CH *KD: PGRANDCL 2008/04/21 APPR: CBOUCHAN 2008/04/21	GENERAL TOLERANCES (UNLESS SPECIFIED)		DIMENSION STYLE MM ONLY		SCALE 2,5:1	DESIGN UNITS METRIC	FIRST ANGLE PROJECTION		
	4 PLACES ±	±	mm	INCH	DRAWN BY		DATE		
	3 PLACES ±	±			TBADAROUX		2007/07/16		
	2 PLACES ±	0.1			CHECKED BY		DATE		
1 PLACE ±	0.1			PGANDCLAUDE		2007/07/16			
ANGULAR ± 2 °				APPROVED BY		DATE		TITLE	
				CBOUCHAN		2007/07/16		WIRE CAP T2 32 WAY MATT SEAL VERSION	
DRAFT WHERE APPLICABLE MUST REMAIN WITHIN DIMENSIONS				MATERIAL NO.		DOCUMENT NO.		SHEET NO.	
				0643191201		SD-98993-004		1 OF 1	
				SIZE A2		THIS DRAWING CONTAINS INFORMATION THAT IS PROPRIETARY TO MOLEX INCORPORATED AND SHOULD NOT BE USED WITHOUT WRITTEN PERMISSION			