

PLEASE CHECK WWW.MOLEX.COM FOR LATEST PART INFORMATION

Part Number: [0879432101](#)
Status: **Active**
Description: 2.50mm (.098") / 3.50mm (.138") Pitch Wire-to-Board Female Crimp Terminal, Tin (Sn)
 Overall, 20 AWG, Reel Packaging, Lead-free

Documents:

[Drawing \(PDF\)](#) [RoHS Certificate of Compliance \(PDF\)](#)

General

Product Family	Crimp Terminals
Series	87943
Crimp Quality Equipment	Yes
Product Name	N/A

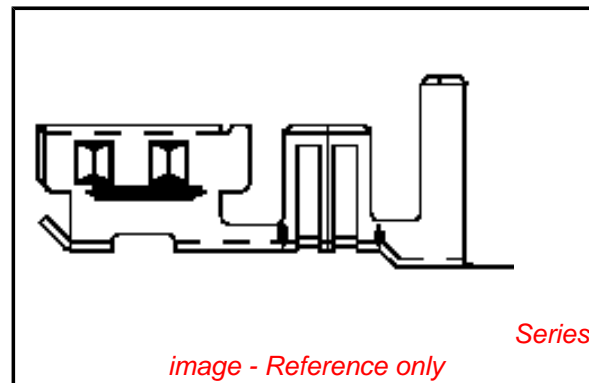
Physical

Durability (mating cycles max)	30
Gender	Female
Material - Metal	Copper
Material - Plating Mating	Tin
Material - Plating Termination	Tin
Packaging Type	Reel
Plating min: Mating (µin)	20
Plating min: Mating (µm)	0.50
Plating min: Termination (µin)	20
Plating min: Termination (µm)	0.50
Termination Interface: Style	Crimp or Compression
Wire Insulation Diameter	1.87-2.45mm
Wire Size AWG	20
Wire Size mm ²	0.52

Material Info

Reference - Drawing Numbers

Sales Drawing	SD-87943-021
---------------	--------------



EU RoHS

**ELV and RoHS
Compliant**
**REACH SVHC
Contains SVHC: No**
**Halogen-Free
Status
Not Reviewed**

China RoHS



**Need more information on product
environmental compliance?**

Email productcompliance@molex.com
 For a multiple part number RoHS Certificate of
 Compliance, [click here](#)

Please visit the [Contact Us](#) section for any
 non-product compliance questions.

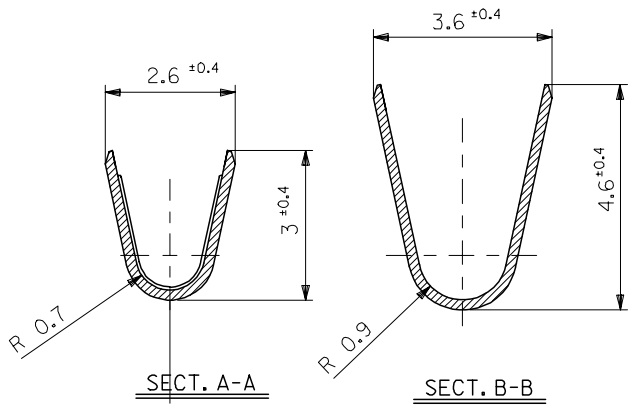
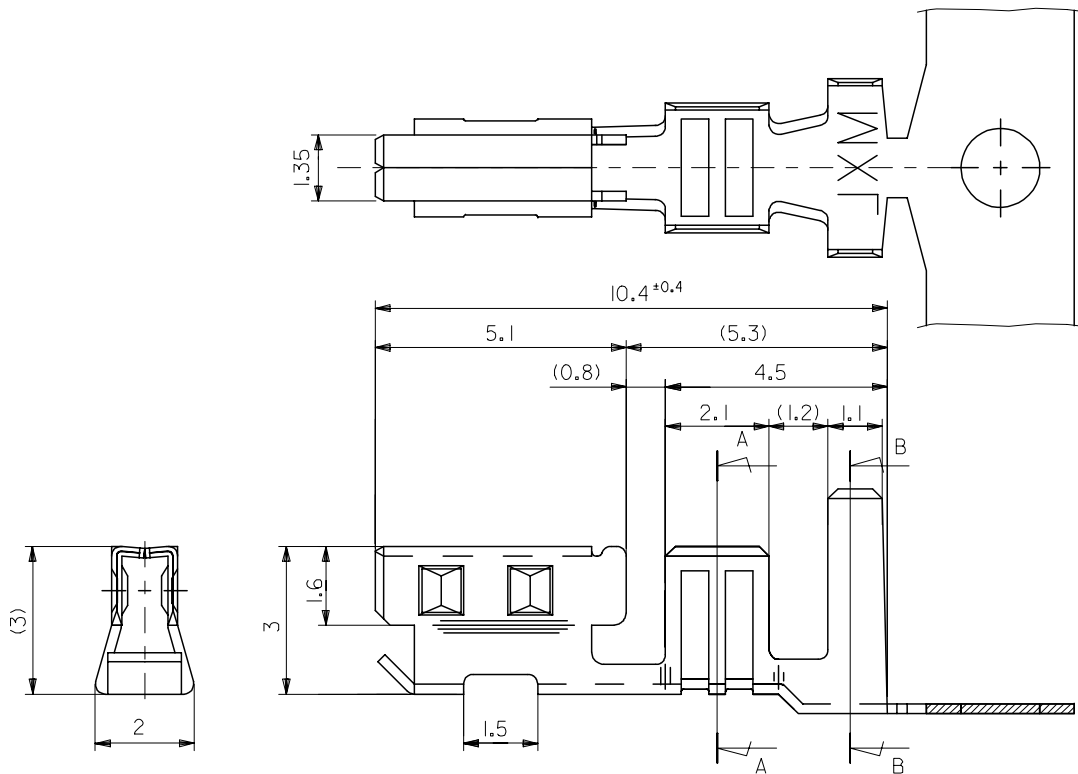
Search Parts in this Series

[87943Series](#)

Use With

[87943-7001](#) Receptacle Housing

PART NUMBER CHAIN	PART NUMBER LOOSE
87943-2101	87943-2001



- NOTES:
- 1.MATERIAL : TIN PLATED HIGH CONDUCTIVE COPPER ALLOY WITH THICKNESS 0.2mm.
 - 2.APPLICABLE HOUSING: 87943-7001.
 - 3.APPLICABLE WIRE : 20 AWG.
 - 4.APPLICABLE INSULATION RANGE: 1.87mm to 2.45mm.
 - 5.CRIMP SPECIFICATION : CS-50350

ADD TEXTS EC NO: S2006-0818 DRWN:KELIM 2006/05/09 CHKD:NRVITTPAL 2006/05/09 APPR:PTLIM 2006/05/10	DESCRIPTION A1	QUALITY SYMBOLS ▽=0 ▽=0	GENERAL TOLERANCES (UNLESS SPECIFIED)		DIMENSION STYLE MM ONLY		SCALE NTS	DESIGN UNITS METRIC	THIRD ANGLE PROJECTION			
			4 PLACES	± ---	± ---	DRAWN BY NRVITTPAL	DATE 2005/05/11	TITLE CRIMP TERMINAL, SIGNAL 2.5/3.5 W-T-B RECEPTACLE				
			3 PLACES	± ---	± ---	CHECKED BY PTLIM	DATE 2005/05/13	MOLEX INCORPORATED				
			2 PLACES	± ---	± ---	APPROVED BY SCLOW	DATE 2005/05/13	MATERIAL NO. SEE TABLE	DOCUMENT NO. SD-87943-021	SHEET NO. 1 OF 1		
DRAFT WHERE APPLICABLE MUST REMAIN WITHIN DIMENSIONS			1 PLACE ± 0.25 ± ---		ANGULAR ± 3 °		THIS DRAWING CONTAINS INFORMATION THAT IS PROPRIETARY TO MOLEX INCORPORATED AND SHOULD NOT BE USED WITHOUT WRITTEN PERMISSION					