

PLEASE CHECK WWW.MOLEX.COM FOR LATEST PART INFORMATION

Part Number: [0743207000](#)
Status: **Active**
Description: MicroCross™ DVI-D Digital Visual Interface, PCB Receptacle, Through Hole, Vertical, Gold (Au) Flash, 2.79mm(.110") PC Tail Length, 4-40 Thread, 24 Circuits, with Pegs, Lead Free

Documents:

[Drawing \(PDF\)](#) [RoHS Certificate of Compliance \(PDF\)](#)
[Product Specification PS-74320-001 \(PDF\)](#)

Agency Certification

UL E29179

General

Product Family I/O Connectors
 Series [74320](#)
 Application Wire-to-Board
 Comments DDWG (Digital Display Working Group) Standard
 Component Type Receptacle
 Product Name MicroCross™DVI
 Type N/A

Physical

Boot Color N/A
 Circuits (Loaded) 24
 Circuits (maximum) 24
 Color - Resin Natural
 Durability (mating cycles max) 100
 Flammability 94V-0
 Gender Receptacle
 Keying to Mating Part Yes
 Lock to Mating Part Yes
 Material - Metal Copper Alloy
 Material - Plating Mating Gold
 Material - Plating Termination Tin
 Number of Rows 3
 Orientation Vertical
 PC Tail Length (in) 0.110 In
 PC Tail Length (mm) 2.79 mm
 PCB Locator Yes
 PCB Retention Yes
 Packaging Type Tray
 Panel Mount Yes
 Pitch - Mating Interface (in) 0.075 In
 Pitch - Mating Interface (mm) 1.91 mm
 Pitch - Term. Interface (in) 0.075 In
 Pitch - Term. Interface (mm) 1.91 mm
 Plating min: Mating (µin) 2
 Plating min: Mating (µm) 0.05
 Plating min: Termination (µin) 150
 Plating min: Termination (µm) 3.75
 Polarized to Mating Part Yes
 Polarized to PCB Yes
 Ports 1
 Surface Mount Compatible (SMC) No
 Temperature Range - Operating -20°C to +85°C

EU RoHS

**ELV and RoHS
Compliant**
REACH SVHC
 Not Reviewed
**Halogen-Free
Status**
Not Reviewed

China RoHS



Need more information on product environmental compliance?

Email productcompliance@molex.com
 For a multiple part number RoHS Certificate of Compliance, [click here](#)

Please visit the [Contact Us](#) section for any non-product compliance questions.

Search Parts in this Series

[74320Series](#)

Mates With

[88744](#) , [74323](#)

Termination Interface: Style	Through Hole
Waterproof / Dustproof	No
Wire Size AWG	N/A

Electrical

Current - Maximum per Contact	3A
Grounding to Panel	Yes
Shield Type	Full Shield
Shielded	Yes
Voltage - Maximum	40V AC (RMS)

Material Info**Reference - Drawing Numbers**

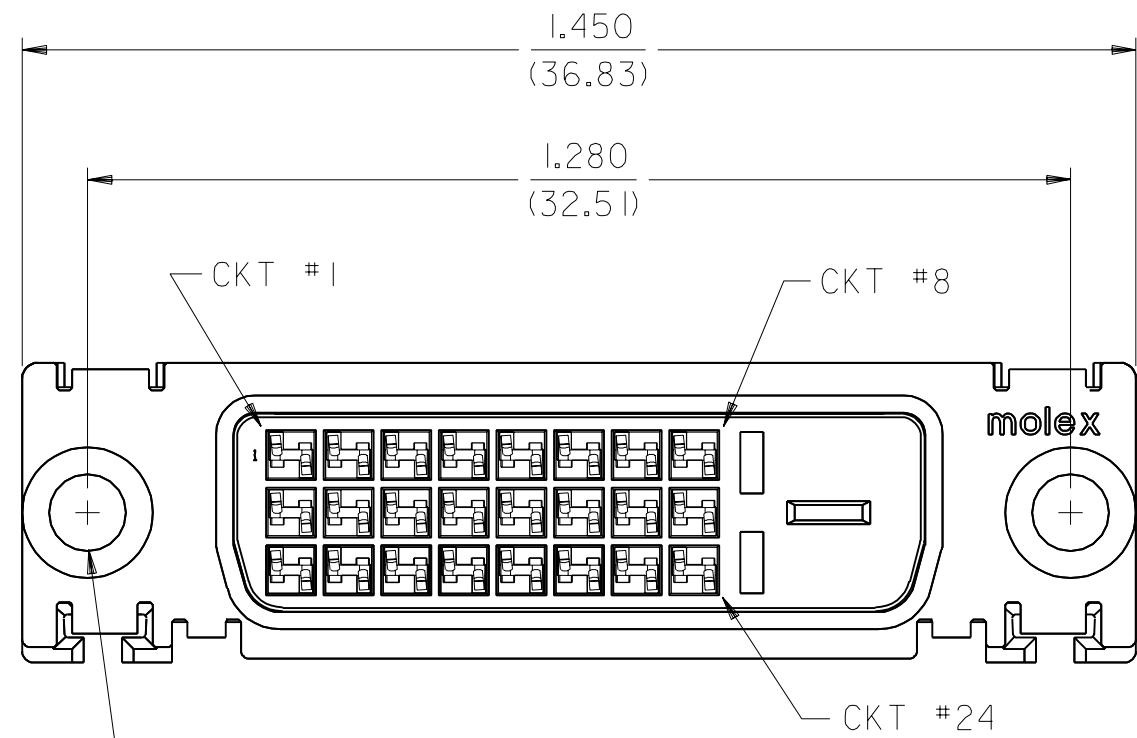
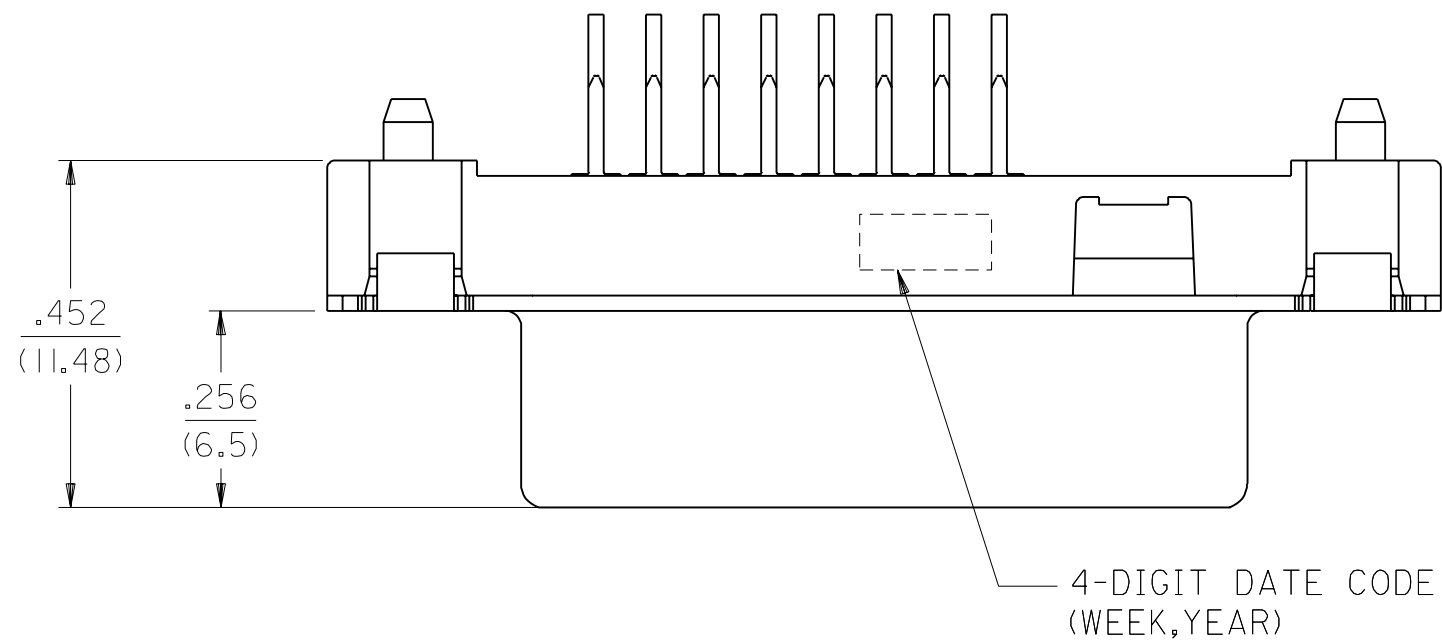
Product Specification	PS-74320-001
Sales Drawing	SD-74320-011

This document was generated on 04/07/2010

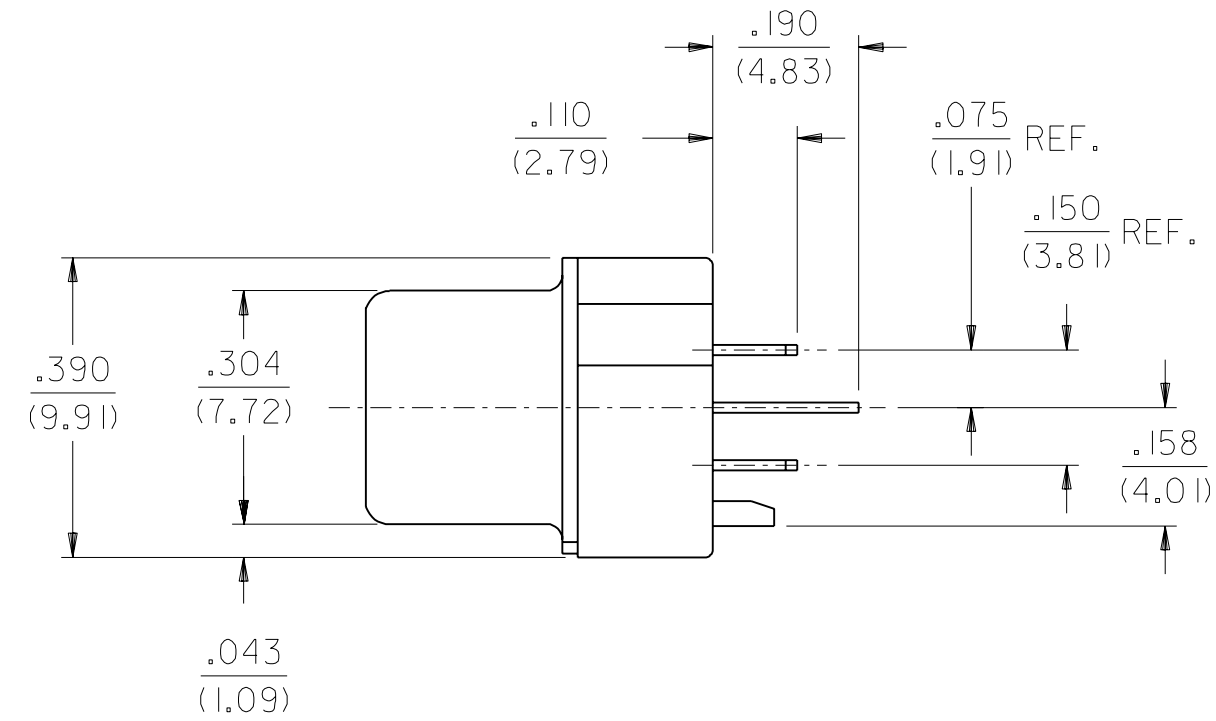
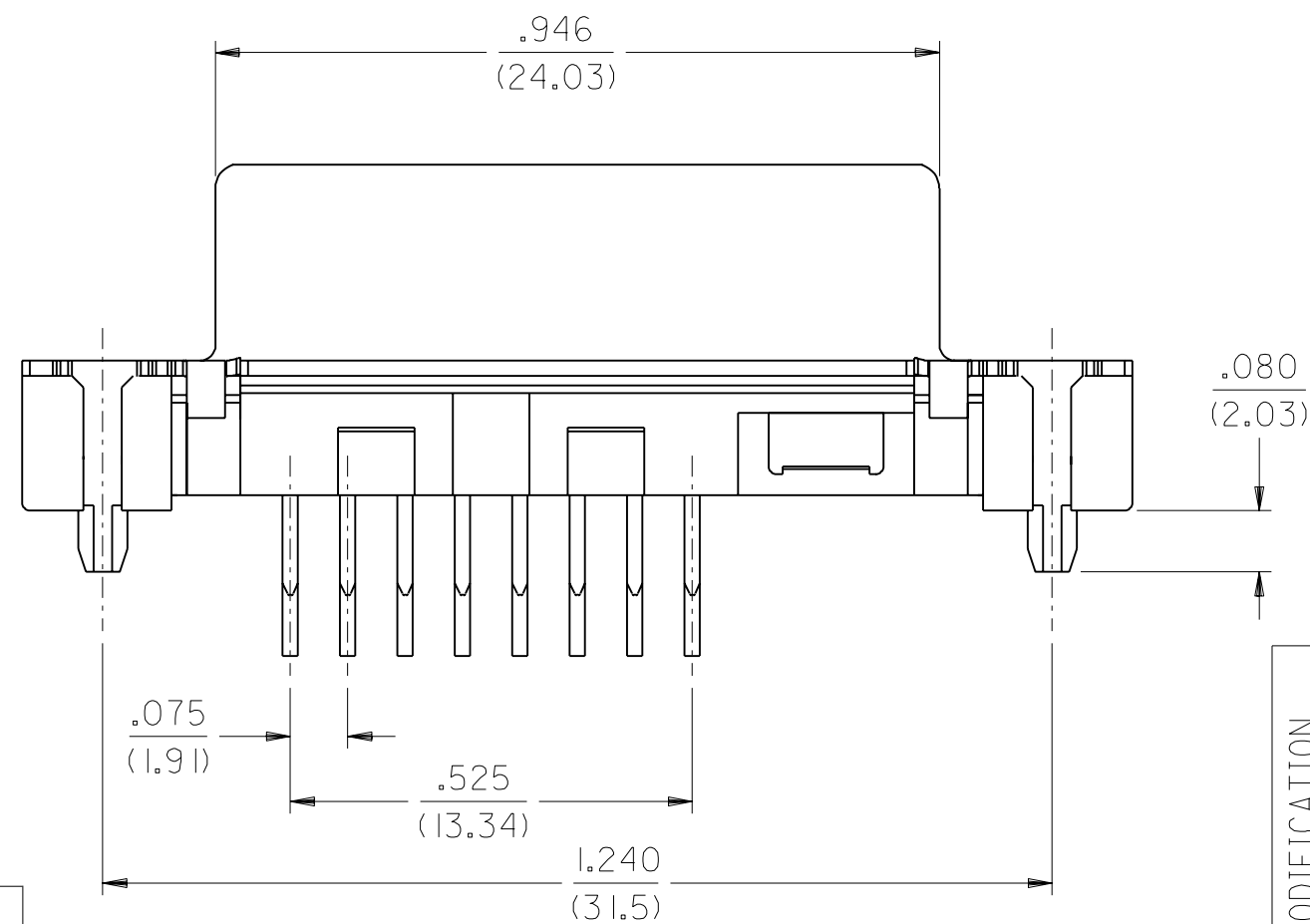
PLEASE CHECK WWW.MOLEX.COM FOR LATEST PART INFORMATION

NOTES:

- MATERIALS: SHIELD -- DEEP DRAW STEEL.
HOUSING -- GLASS FILLED POLYMER, NATURAL (WHITE), UL 94v-0.
CONTACTS -- COPPER ALLOY.
- PLATING OPTION #1:
OUTER SHIELD -- 150u"/(3.75um) MIN. BRIGHT TIN OVER
50u"/(1.27um) MIN. NICKEL OVER COPPER FLASH.
.075"/(1.91mm) CONTACTS -- SELECT GOLD FLASH AND
100u"/(2.50um) MIN. SELECT PURE TIN
OVER 50u"/(1.27um) MIN. NICKEL OVERALL.
- PLATING OPTION #2:
OUTER SHIELD -- 150u"/(3.75um) MIN. BRIGHT TIN OVER
50u"/(1.27um) MIN. NICKEL OVER COPPER FLASH.
.075"/(1.91mm) CONTACTS -- 30u"/(0.75um) MIN. SELECT GOLD AND
100u"/(2.50um) MIN. SELECT PURE TIN
OVER 50u"/(1.27um) MIN. NICKEL OVERALL.
- PRODUCT CONFORMS TO MOLEX PRODUCT SPECIFICATION NUMBER PS-74320-001.
- PARTS WILL BE PACKAGED IN TRAYS PER PK-74320-010.
- PRODUCT CONFORMS TO DDWG DVI SPECIFICATION. REFER TO THIS SPECIFICATION FOR CONNECTOR MATING DIMENSIONS.
- REFER TO PRODUCT SPECIFICATION NUMBER PS-74320-001 FOR THE APPLICATION TORQUE REQUIREMENT.



#4-40 THREAD (2X)
(SEE NOTE #6)



PART NUMBER	PLATING
74320-7000	OPTION #1
74320-7001	OPTION #2

MODIFICATION EC NO. SH2004-0139 DRWN: DXUE 04/03/22 CHK: HARVEY 04/03/22 APPR: SHUANG 04/03/22	QUALITY SYMBOLS MAJOR $\nabla=0$ CRITICAL $\nabla_c=0$
REV D	DESCRIPTION

GENERAL TOLERANCES: (UNLESS SPECIFIED)	SCALE 4 : 1	DESIGN UNITS <input type="checkbox"/> mm <input checked="" type="checkbox"/> INCH	THIRD ANGLE PROJECTION <input checked="" type="checkbox"/> THIRD ANGLE
4 PLACES $\pm 0.$	mm	INCH	
3 PLACES $\pm 0.$	± 0.10		
2 PLACES ± 0.25	± 0.10		
1 PLACE ± 0.25	± 0.10		
ANGULAR: $\pm 1/2^\circ$		DRAFT WHERE APPLICABLE MUST REMAIN WITHIN DIMENSIONS	

DRAWN BY & DATE TMCLELL 00/01/19	CAD FILENAME SD74320011.S01
CHECKED BY & DATE SCHMIDGA 00/01/19	MATERIAL NO. 743207000
APPROVED BY & DATE NELSON 00/01/19	DRAWING NO. SD-74320-011

TITLE: DVI - DIGITAL VERTICAL RECEPTACLE ASSEMBLY FOR ADAPTER		SHT		REV	
MOLEX INCORPORATED		REVISE ON CAD ONLY			
SHEET NO. 1 OF 1		SIZE C			