

**PLEASE CHECK WWW.MOLEX.COM FOR LATEST PART INFORMATION**

**Part Number:** [0743207001](#)  
**Status:** **Active**  
**Description:** MicroCross™ DVI-D Digital Visual Interface, PCB Receptacle for Adapter, Through Hole, Vertical, 0.76µm (30µ") Gold (Au) Plating, 2.79mm(.110") PC Tail Length, 4-40 Thread, 24 Circuits, with Pegs, Lead Free

**Documents:**

[Drawing \(PDF\)](#) [RoHS Certificate of Compliance \(PDF\)](#)  
[Product Specification PS-74320-001 \(PDF\)](#)

**Agency Certification**

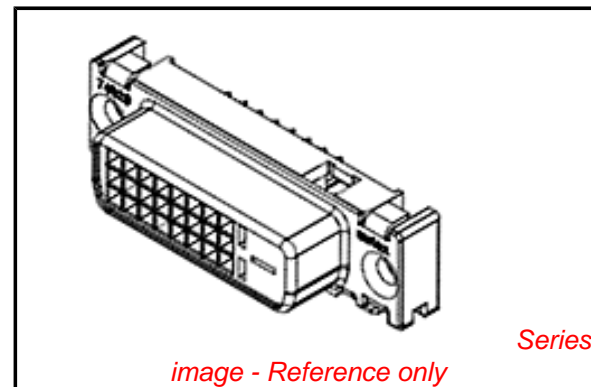
UL E29179

**General**

Product Family I/O Connectors  
 Series [74320](#)  
 Application Wire-to-Board  
 Comments DDWG (Digital Display Working Group) Standard  
 Component Type Receptacle  
 Product Name MicroCross™DVI  
 Type N/A

**Physical**

Boot Color N/A  
 Circuits (Loaded) 24  
 Circuits (maximum) 24  
 Color - Resin Natural  
 Durability (mating cycles max) 100  
 Flammability 94V-0  
 Gender Receptacle  
 Keying to Mating Part Yes  
 Lock to Mating Part Yes  
 Material - Metal Copper Alloy  
 Material - Plating Mating Gold  
 Material - Plating Termination Tin  
 Number of Rows 3  
 Orientation Vertical  
 PC Tail Length (in) 0.110 In  
 PC Tail Length (mm) 2.79 mm  
 PCB Locator Yes  
 PCB Retention Yes  
 Packaging Type Tray  
 Panel Mount Yes  
 Pitch - Mating Interface (in) 0.075 In  
 Pitch - Mating Interface (mm) 1.91 mm  
 Pitch - Term. Interface (in) 0.075 In  
 Pitch - Term. Interface (mm) 1.91 mm  
 Plating min: Mating (µin) 30  
 Plating min: Mating (µm) 0.76  
 Plating min: Termination (µin) 150  
 Plating min: Termination (µm) 3.75  
 Polarized to Mating Part Yes  
 Polarized to PCB Yes  
 Surface Mount Compatible (SMC) No  
 Temperature Range - Operating -20°C to +85°C  
 Termination Interface: Style Through Hole



**EU RoHS**

**ELV and RoHS Compliant**  
**REACH SVHC**  
 Not Reviewed  
**Halogen-Free Status**  
**Not Reviewed**

**China RoHS**



**Need more information on product environmental compliance?**

Email [productcompliance@molex.com](mailto:productcompliance@molex.com)  
 For a multiple part number RoHS Certificate of Compliance, [click here](#)

Please visit the [Contact Us](#) section for any non-product compliance questions.

**Search Parts in this Series**

[74320Series](#)

**Mates With**

[88744](#) , [74323](#)

Waterproof / Dustproof	No
Wire Size AWG	N/A
<b>Electrical</b>	
Current - Maximum per Contact	3A
Grounding to Panel	Yes
Shield Type	Full Shield
Shielded	Yes
Voltage - Maximum	40V AC (RMS)

#### **Material Info**

#### **Reference - Drawing Numbers**

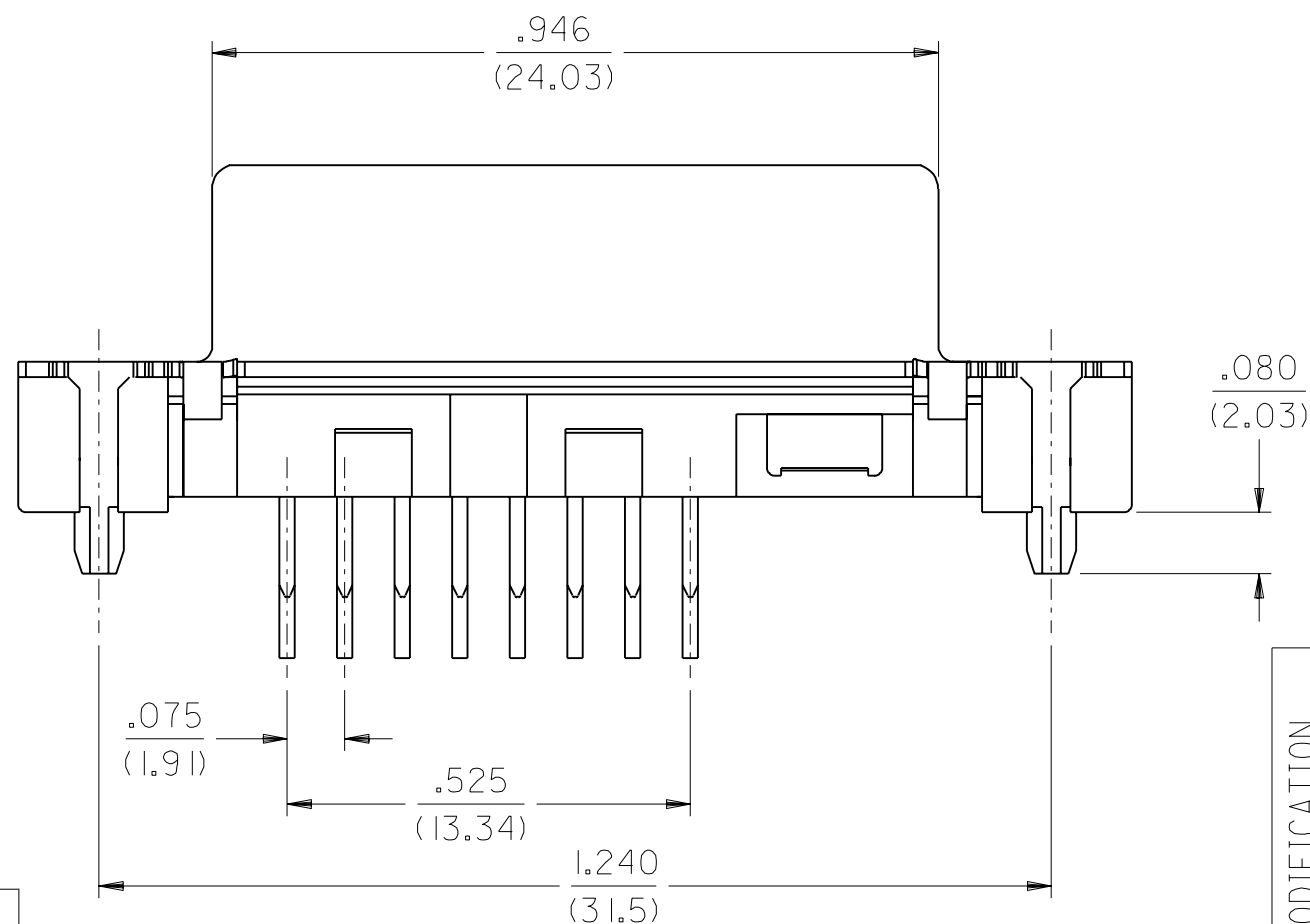
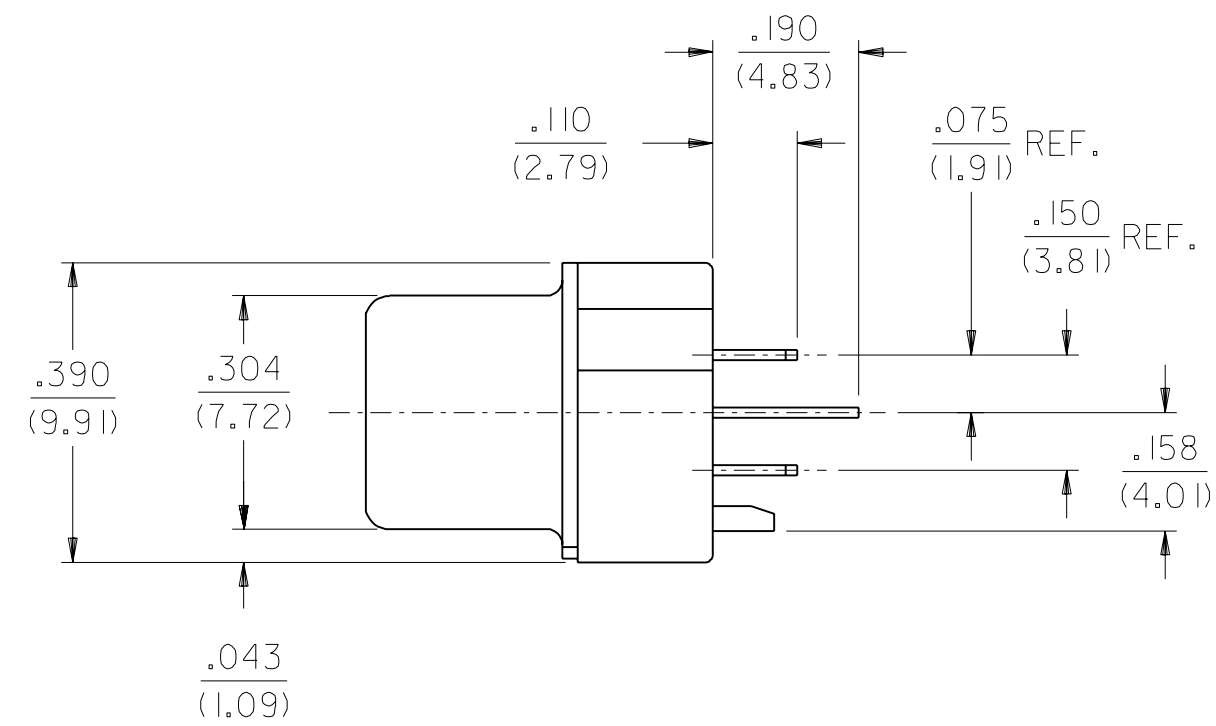
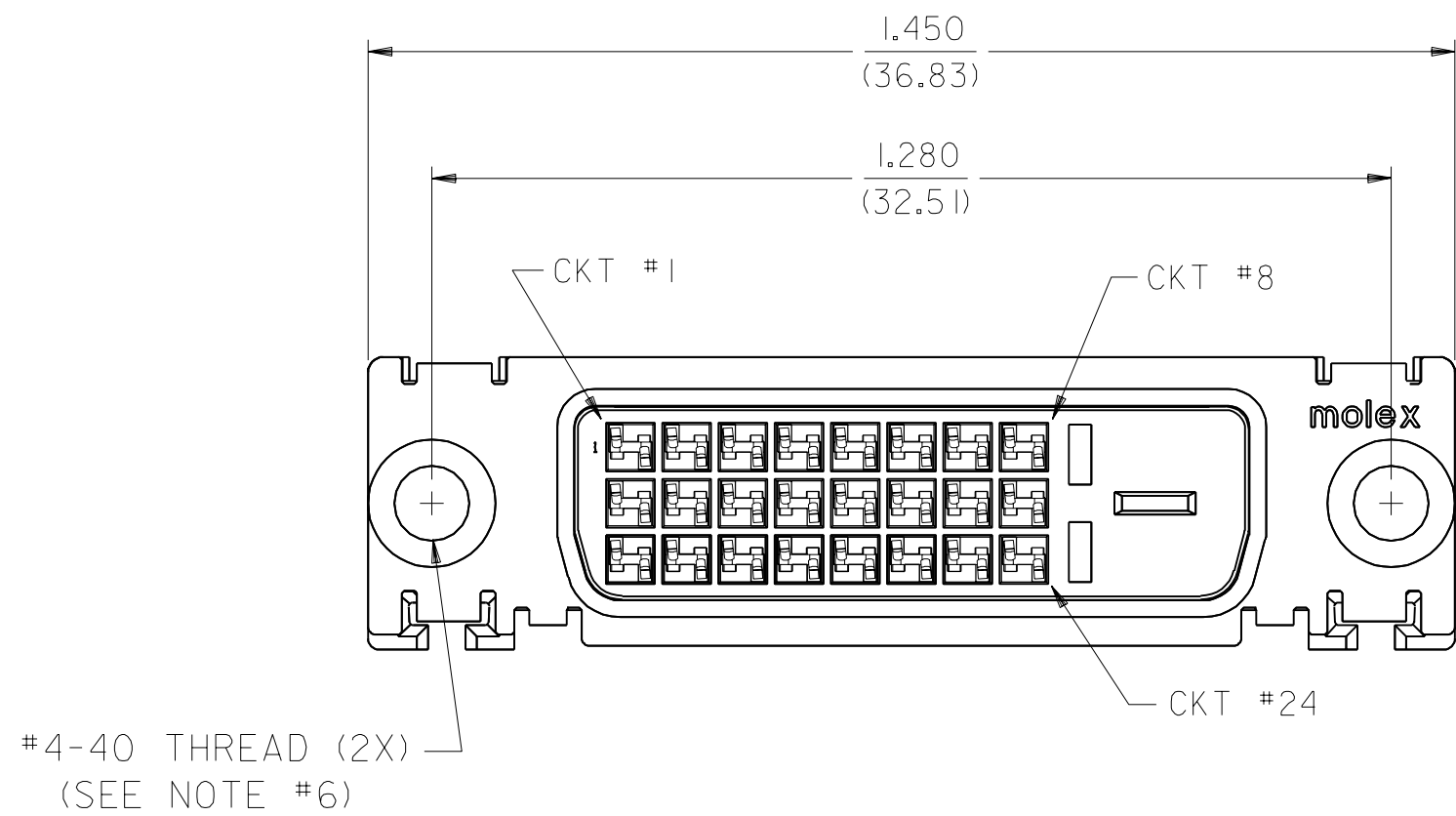
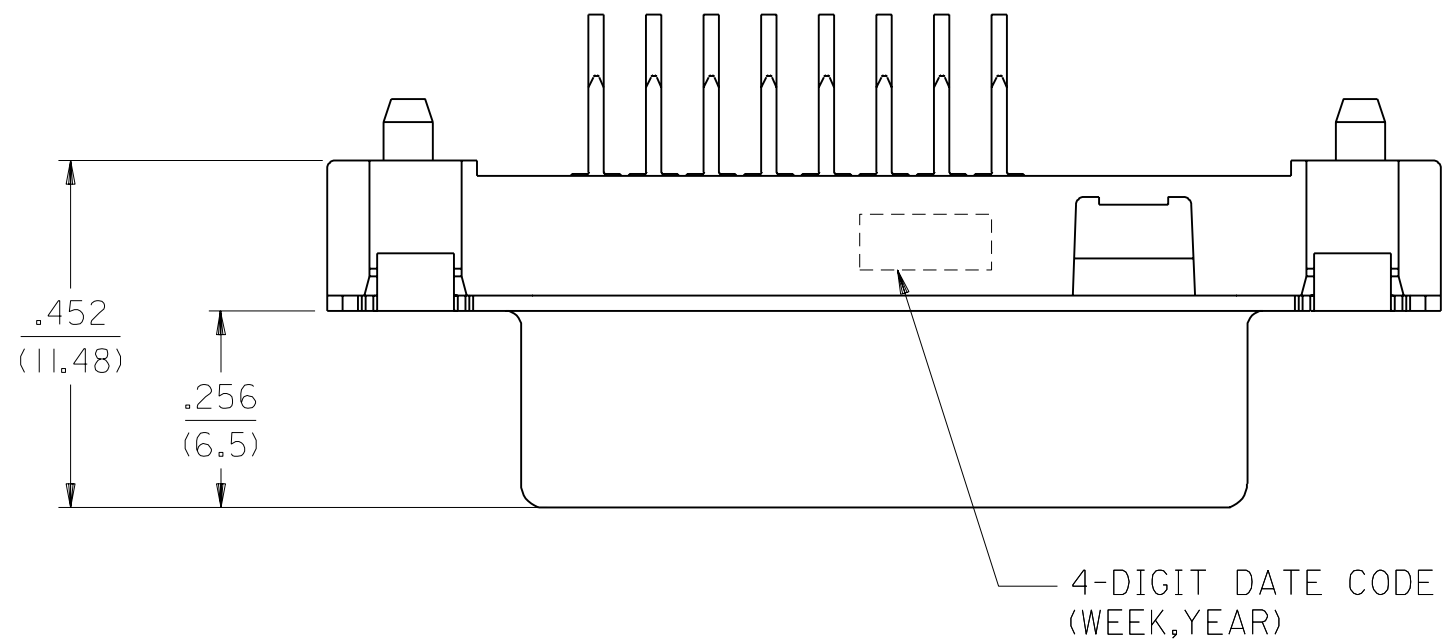
Packaging Specification	PK-74320-005
Product Specification	PS-74320-001
Sales Drawing	SD-74320-011

This document was generated on 05/10/2010

**PLEASE CHECK [WWW.MOLEX.COM](http://WWW.MOLEX.COM) FOR LATEST PART INFORMATION**

NOTES:

- MATERIALS: SHIELD -- DEEP DRAW STEEL.  
HOUSING -- GLASS FILLED POLYMER, NATURAL (WHITE), UL 94v-0.  
CONTACTS -- COPPER ALLOY.
- PLATING OPTION #1:  
OUTER SHIELD -- 150u"/(3.75um) MIN. BRIGHT TIN OVER  
50u"/(1.27um) MIN. NICKEL OVER COPPER FLASH.  
.075"/(1.91mm) CONTACTS -- SELECT GOLD FLASH AND  
100u"/(2.50um) MIN. SELECT PURE TIN  
OVER 50u"/(1.27um) MIN. NICKEL OVERALL.
- PLATING OPTION #2:  
OUTER SHIELD -- 150u"/(3.75um) MIN. BRIGHT TIN OVER  
50u"/(1.27um) MIN. NICKEL OVER COPPER FLASH.  
.075"/(1.91mm) CONTACTS -- 30u"/(0.75um) MIN. SELECT GOLD AND  
100u"/(2.50um) MIN. SELECT PURE TIN  
OVER 50u"/(1.27um) MIN. NICKEL OVERALL.
- PRODUCT CONFORMS TO MOLEX PRODUCT SPECIFICATION NUMBER PS-74320-001.
- PARTS WILL BE PACKAGED IN TRAYS PER PK-74320-010.
- PRODUCT CONFORMS TO DDWG DVI SPECIFICATION. REFER TO THIS SPECIFICATION FOR CONNECTOR MATING DIMENSIONS.
- REFER TO PRODUCT SPECIFICATION NUMBER PS-74320-001 FOR THE APPLICATION TORQUE REQUIREMENT.



PART NUMBER	PLATING
74320-7000	OPTION #1
74320-7001	OPTION #2

MODIFICATION EC NO. SH2004-0139 DRWN: DXUE 04/03/22 CHK: HARVEY 04/03/22 APPR: SHUANG 04/03/22	QUALITY SYMBOLS MAJOR $\nabla=0$ CRITICAL $\nabla_c=0$
REV	D

GENERAL TOLERANCES: (UNLESS SPECIFIED)	SCALE 4 : 1	DESIGN UNITS <input type="checkbox"/> mm <input checked="" type="checkbox"/> INCH	THIRD ANGLE PROJECTION <input type="checkbox"/> mm <input checked="" type="checkbox"/> INCH
4 PLACES $\pm 0.$	mm	INCH	
3 PLACES $\pm 0.$	$\pm 0.10$		
2 PLACES $\pm 0.25$	$\pm 0.10$		
1 PLACE $\pm 0.25$	$\pm 0.10$		
ANGULAR: $\pm 1/2^\circ$		DRAFT WHERE APPLICABLE MUST REMAIN WITHIN DIMENSIONS	

DRAWN BY & DATE TMCLELL 00/01/19	CAD FILENAME SD74320011.S01
CHECKED BY & DATE SCHMIDGA 00/01/19	MATERIAL NO. 743207000
APPROVED BY & DATE NELSON 00/01/19	DRAWING NO. SD-74320-011

TITLE: DVI - DIGITAL VERTICAL RECEPTACLE ASSEMBLY FOR ADAPTER		SHT		REV	
MOLEX INCORPORATED		REVISE ON CAD ONLY			
SHEET NO. 1 OF 1		SIZE C			