

PLEASE CHECK WWW.MOLEX.COM FOR LATEST PART INFORMATION

Part Number: [0857190101](#)
Status: **Active**
Overview: [magnetic modular jacks](#)
Description: HyperJack™ 1000 PoE+ PSE Integrated Connector Module, 2x6, With LEDs

Documents:

[3D Model](#) [RoHS Certificate of Compliance \(PDF\)](#)
[Drawing \(PDF\)](#)

General

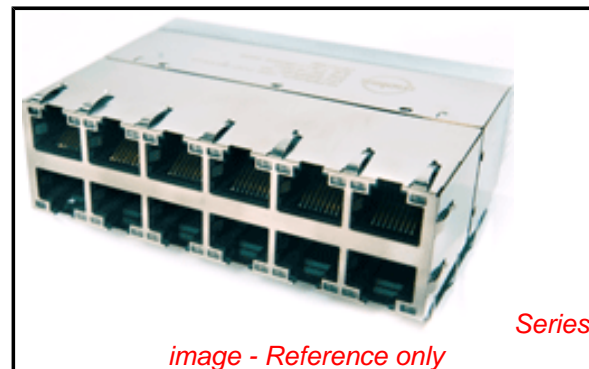
Product Family	Modular Jacks/Plugs
Series	85719
Component Type	PCB Jack
Magnetic	Yes
More Detailed Tech Information	*For product specifications please contact your Molex sales representative
Overview	magnetic modular jacks
Performance Category	5e
Power over Ethernet (PoE)	PoE+
Product Name	HyperJack™PoE

Physical

Boot Color	N/A
Color - Resin	Black
Durability (mating cycles max)	750
Inverted / Top Latch	Yes
Lightpipes/LEDs	LEDs
Material - Metal	Brass, Copper Alloy
Material - Plating Mating	Gold
Material - Plating Termination	Tin
Material - Resin	Thermoplastic Polyurethane
Orientation	Right Angle (Side Entry)
PCB Locator	Yes
PCB Retention	Yes
Packaging Type	Tray
Pitch - Mating Interface (in)	0.040 In
Pitch - Mating Interface (mm)	1.02 mm
Pitch - Term. Interface (in)	0.040 In
Pitch - Term. Interface (mm)	1.02 mm
Plating min: Mating (µin)	30
Plating min: Mating (µm)	0.76
Plating min: Termination (µin)	50.8
Plating min: Termination (µm)	1.27
Ports	12
Positions / Loaded Contacts	8/8
Surface Mount Compatible (SMC)	No
Temperature Range - Operating	0°C to +70°C
Termination Interface: Style	Through Hole
Waterproof / Dustproof	No
Wire/Cable Type	N/A

Electrical

Current - Maximum per Contact	1.5A
Grounding to PCB	Yes
Grounding to Panel	Yes
Shielded	Yes



EU RoHS

ELV and RoHS Compliant
REACH SVHC
 Not Reviewed
Halogen-Free Status
Not Reviewed

China RoHS



Need more information on product environmental compliance?

Email productcompliance@molex.com
 For a multiple part number RoHS Certificate of Compliance, [click here](#)

Please visit the [Contact Us](#) section for any non-product compliance questions.

Search Parts in this Series

[85719Series](#)

Mates With

Plugs according to IEC 60603-7

Voltage - Maximum

48V

Material Info

Reference - Drawing Numbers

Packaging Specification

PK-85719-135

Product Specification

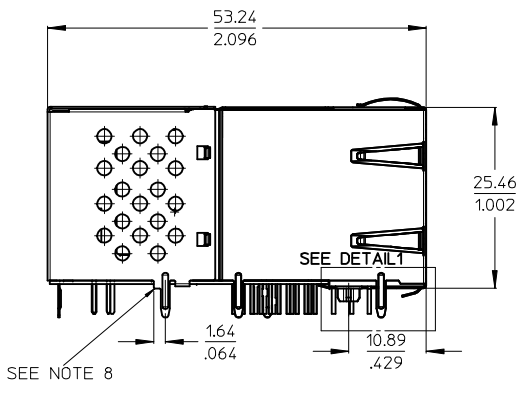
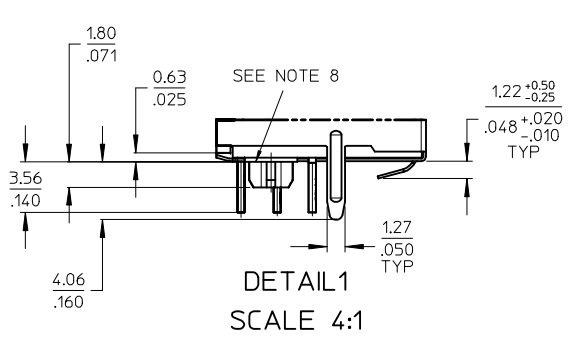
RPS-85719-001

Sales Drawing

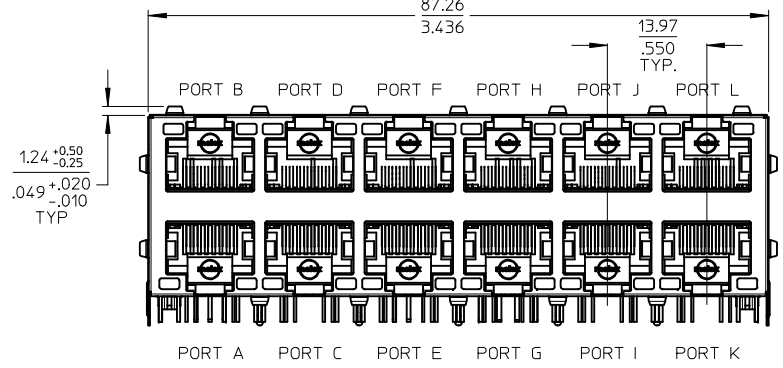
SD-85719-101

This document was generated on 06/08/2010

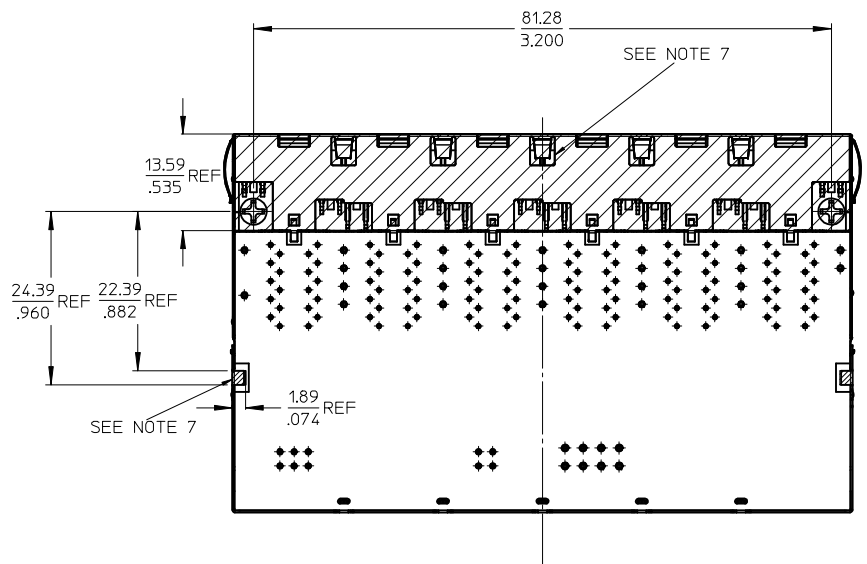
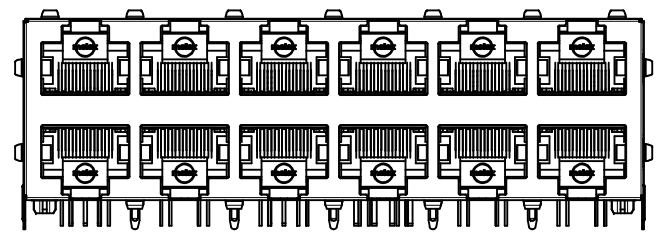
PLEASE CHECK WWW.MOLEX.COM FOR LATEST PART INFORMATION



FRONT VIEW HYPERJACK 1000 POE+ ICM LED VERSION P/N 85719-0101



FRONT VIEW HYPERJACK 1000 POE+ ICM NON LED VERSION P/N 85719-0003



P / N	VERSION
85719-0101	LED VERSION
85719-0003	NON LED VERSION

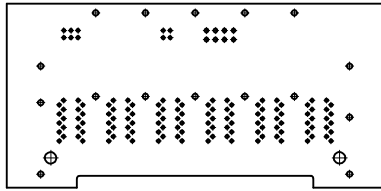
- NOTES:
- 1 - SHIELD MATERIAL: BRASS; PLATING: Ni PRE-PLATING
 - 2 - PLASTIC MATERIAL: NAGASE-D-VALOX 420 SED BLACK, 30%GR, UL 94V-0\5V (PBT)
 - 3 - TERMINALS MATERIAL: COPPER ALLOY
RJ45 CONTACT PLATING: 0.764µm GOLD OVER 1.94µm Ni
SOLDER TERMINALS: 34µm Sn
 - 4 - JACK TO BE MATED WITH FCC 68.5 PLUGS / IEC 60603-7 PLUGS
 - 5 - PRODUCT SPECIFICATION: PS-85719-001
 - 6 - PACKAGING SPECIFICATION: PK-85719-101
 - 7 - TRACES WITHOUT INSULATION NOT ALLOWED IN THE DASHED AREAS.
(TO AVOID SHORTS TO SHIELD)
 - 8 - STAND OFF TO SYSTEM BOARD

ENTER DESCRIPTION EC NO: MG2009-0084 DRWN: JBADER 2009/08/11 CHKD: MMANGARUDOV 2009/08/11 APPR: SSTEINKE 2009/08/20	QUALITY SYMBOLS ▽=0 ▽=0	GENERAL TOLERANCES (UNLESS SPECIFIED) <table border="1"> <thead> <tr> <th></th> <th>mm</th> <th>INCH</th> </tr> </thead> <tbody> <tr> <td>4 PLACES</td> <td>± .01</td> <td>± .001</td> </tr> <tr> <td>3 PLACES</td> <td>± .02</td> <td>± .002</td> </tr> <tr> <td>2 PLACES</td> <td>± 0.25</td> <td>± .02</td> </tr> <tr> <td>1 PLACE</td> <td>± 0.5</td> <td>± .05</td> </tr> </tbody> </table> ANGULAR ± 1 °		mm	INCH	4 PLACES	± .01	± .001	3 PLACES	± .02	± .002	2 PLACES	± 0.25	± .02	1 PLACE	± 0.5	± .05	DIMENSION STYLE MM/IN	SCALE 2:1	DESIGN UNITS METRIC	THIRD ANGLE PROJECTION
				mm	INCH																
4 PLACES	± .01	± .001																			
3 PLACES	± .02	± .002																			
2 PLACES	± 0.25	± .02																			
1 PLACE	± 0.5	± .05																			
DRAWN BY: JBADER DATE: 2009/03/11 CHECKED BY: MMANGARUDOV DATE: 2009/03/11 APPROVED BY: SSTEINKE DATE: 2009/03/11 MATERIAL NO.: SEE BOM	TITLE HYPERJACK 1000 POE+ INTEGRATED CONNECTOR MODULE 2X6	MOLEX INCORPORATED	DOCUMENT NO.: SD-85719-101	SHEET NO.: 1 OF 3																	

DRAFT WHERE APPLICABLE MUST REMAIN WITHIN DIMENSIONS

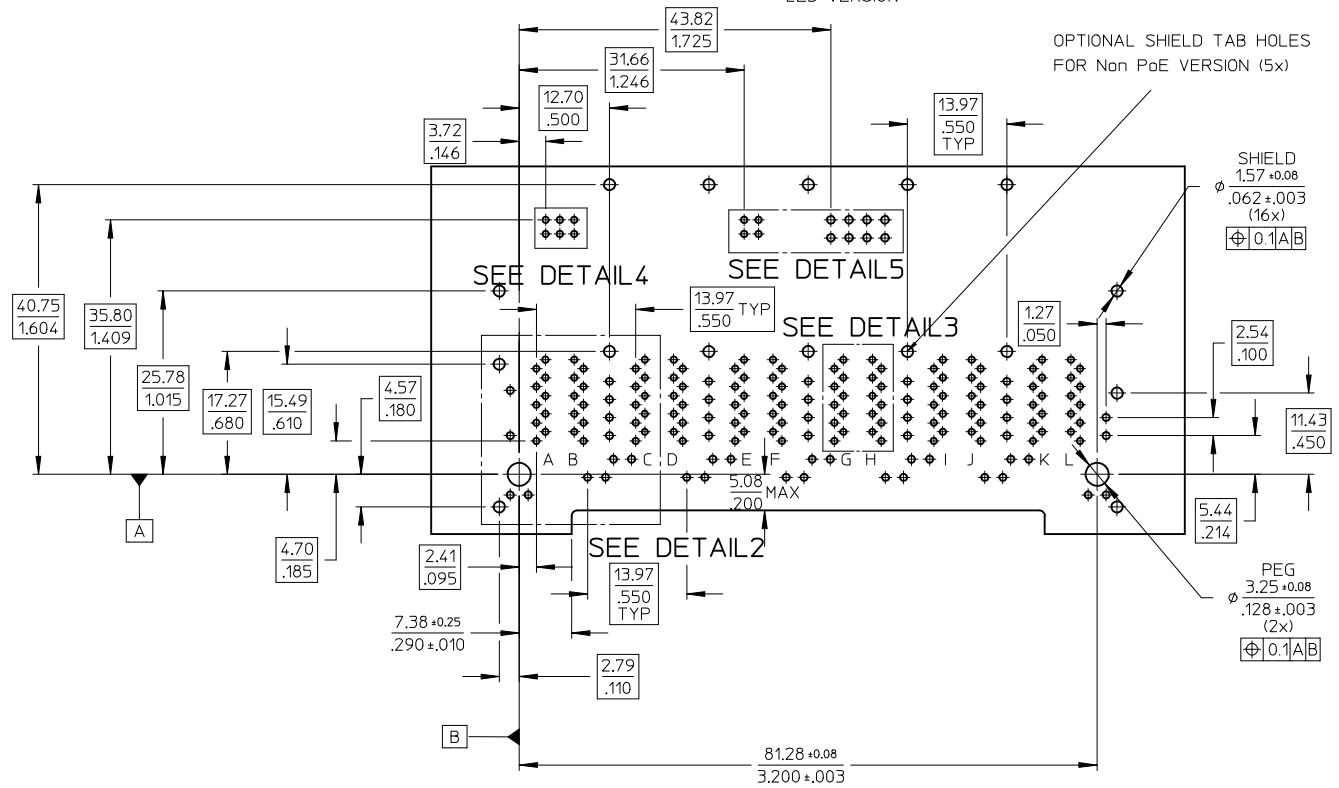
THIS DRAWING CONTAINS INFORMATION THAT IS PROPRIETARY TO MOLEX INCORPORATED AND SHOULD NOT BE USED WITHOUT WRITTEN PERMISSION

FOOT PRINT OUT FOR NON LED VERSION (85719-0003)
MISSING DIMENSIONS SEE LED VERSION



SCALE 1:1

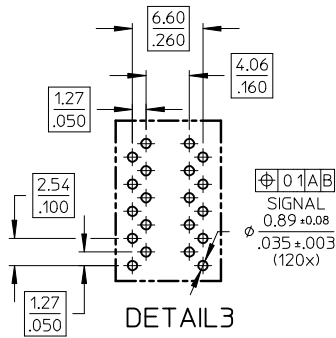
FOOT PRINT OUT FOR
LED VERSION



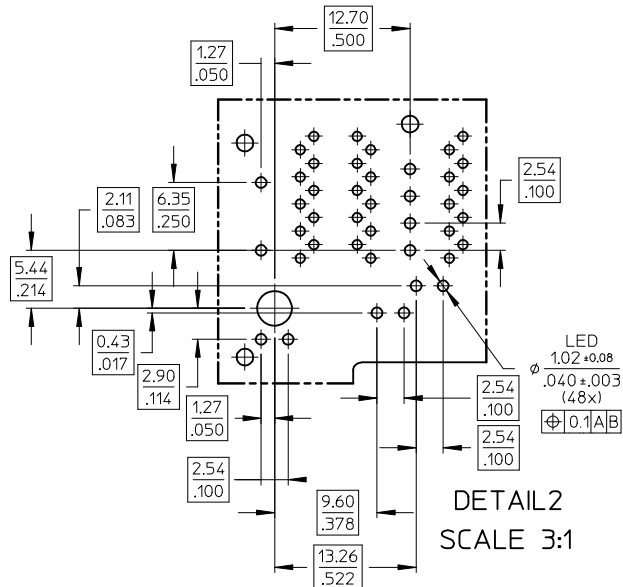
OPTIONAL SHIELD TAB HOLES
FOR Non PoE VERSION (5x)

SHIELD
1.57 ±0.08
∅ .062 ±0.003 (16x)
∅ 0.1[A]B

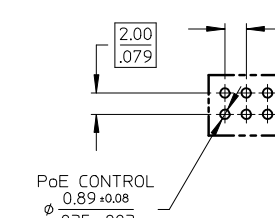
PEG
3.25 ±0.08
∅ .128 ±0.003 (2x)
∅ 0.1[A]B



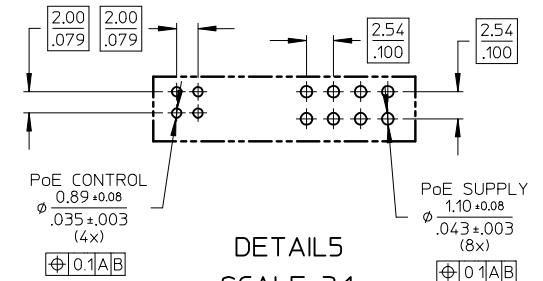
DETAIL3
SCALE 3:1



DETAIL2
SCALE 3:1



DETAIL4
SCALE 3:1



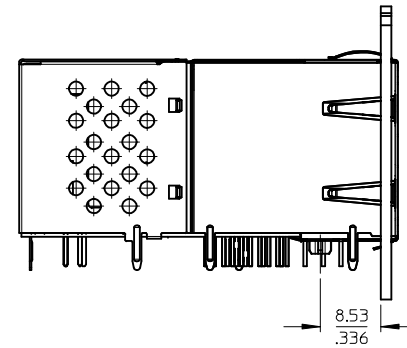
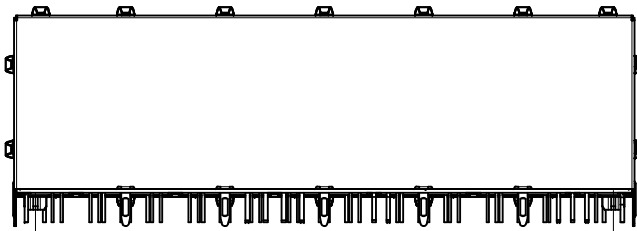
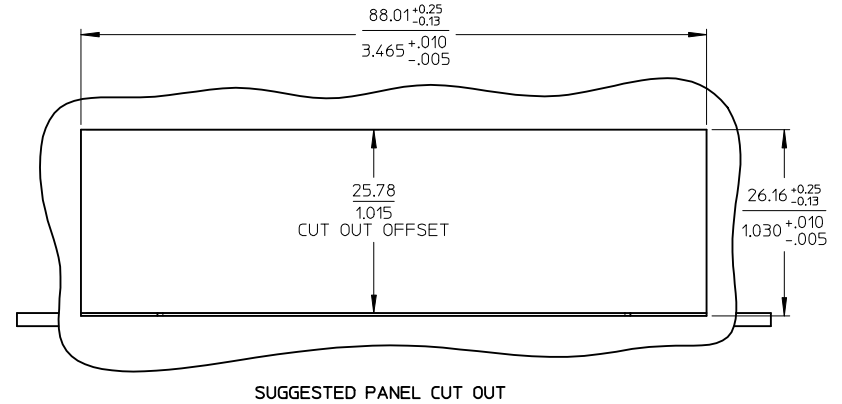
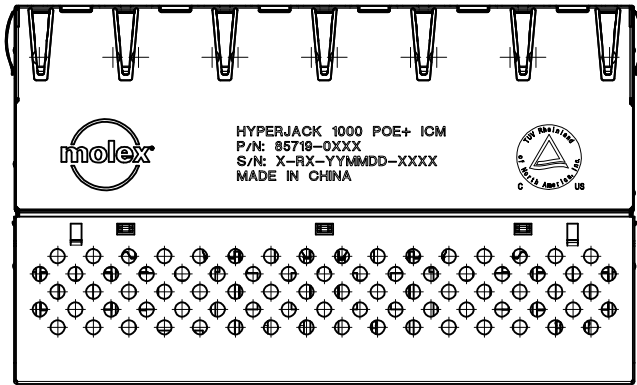
DETAIL5
SCALE 3:1

ENTER DESCRIPTION EC NO: M2009-0084 DRWN: JBADER 2009/08/11 CHKD: MMANGARUDOV 2009/08/11 APPR: SSTEINKE 2009/08/20	QUALITY SYMBOLS ▽=0 ▽=0	GENERAL TOLERANCES (UNLESS SPECIFIED)		DIMENSION STYLE MM/IN		SCALE 2:1	DESIGN UNITS METRIC	THIRD ANGLE PROJECTION		
		4 PLACES ± --- ± ---	3 PLACES ± --- ± .01	2 PLACES ± 0.25 ± .02	1 PLACE ± 0.5 ± ---	ANGULAR ± 1 °	DRAFT WHERE APPLICABLE MUST REMAIN WITHIN DIMENSIONS	DRAWN BY JBADER 2009/03/11		DATE 2009/03/11
1	REV	MATERIAL NO. SEE SHEET 1		APPROVED BY SSTEINKE 2009/03/11		MATERIAL NO. DOCUMENT NO.		MATERIAL NO. SD-85719-101		SHEET NO. 2 OF 3

PRINTING
LED VERSION
HYPERJACK 1000 POE+ ICM
P/N: 85719-0101
S/N: X-RX-YYMMDD-XXXX
MADE IN CHINA

PRINTING
NON LED VERSION
HYPERJACK 1000 POE+ ICM
P/N: 85719-0003
S/N: X-RX-YYMMDD-XXXX
MADE IN CHINA

PRINTING



NOTES:

- 1 - PRINTING MARKED BY LASER
- 2 - INSCRIPTION:
 - 1st LINE: PART NAME
 - 2nd LINE: PART NUMBER
 - 3rd LINE: SERIES NUMBER -> MANUFACTURER ID - CONNECTOR REVISION - DATE CODE (YEAR, MONTH, DAY) - CONSECUTIVE NUMBER
 - 4th LINE: COUNTRY OF ORIGIN
- 3 - TUV LOGO

ENTER DESCRIPTION EC NO: MG2009-0084 DRWN: JBADER 2009/08/11 CHKD: MMANGARUDOV 2009/08/11 APPR: SSTE INKE 2009/08/20	DESCRIPTION 1	QUALITY SYMBOLS ▽=0 ▽=0	GENERAL TOLERANCES (UNLESS SPECIFIED)		DIMENSION STYLE MM/IN		SCALE 2:1	DESIGN UNITS METRIC	THIRD ANGLE PROJECTION
			mm	INCH	DRAWN BY JBADER	DATE 2009/03/11	TITLE HYPERJACK 1000 POE+ INTEGRATED CONNECTOR MODULE 2X6		
			4 PLACES ± .01	± .01	CHECKED BY MMANGARUDOV	DATE 2009/03/11	MOLEX INCORPORATED		
			3 PLACES ± .025	± .02	APPROVED BY SSTE INKE	DATE 2009/03/11			
			2 PLACES ± 0.5	± .05	MATERIAL NO. SEE SHEET 1		DOCUMENT NO. SD-85719-101	SHEET NO. 3 OF 3	
DRAFT WHERE APPLICABLE MUST REMAIN WITHIN DIMENSIONS			THIS DRAWING CONTAINS INFORMATION THAT IS PROPRIETARY TO MOLEX INCORPORATED AND SHOULD NOT BE USED WITHOUT WRITTEN PERMISSION						