

PLEASE CHECK WWW.MOLEX.COM FOR LATEST PART INFORMATION

Part Number: [0879190101](#)
Status: **Active**
Description: 1.00mm (.039") Pitch DDR-2 DIMM Socket, 25 Degree Reverse Angle, Through Hole, 240 Circuits, 1.8V Voltage Key, 2.79mm (.110") Tail Length, 0.38µm (15µ") Gold (Au) Plating, Lead-free

Documents:

[3D Model](#) [Product Specification PS-87919-006 \(PDF\)](#)
[Drawing \(PDF\)](#) [RoHS Certificate of Compliance \(PDF\)](#)

General

Product Family	Memory Module Sockets
Series	87919
Comments	Latches in Off-White Color
Component Type	Socket
JEDEC Outline	MO-237
Product Name	DDR2 DIMM

Physical

Circuits (Loaded)	240
Color - Resin	Black, Natural
Durability (mating cycles max)	25
Entry Angle	25° Angle
Keying to Mating Part	Yes
Material - Plating Mating	Gold
Material - Plating Termination	Tin
Material - Resin	High Temperature Thermoplastic
PC Tail Length (in)	0.110 In
PC Tail Length (mm)	2.79 mm
PCB Locator	Yes
PCB Retention	Yes
PCB Thickness Recommended (in)	0.062 In
PCB Thickness Recommended (mm)	1.60 mm
Packaging Type	Tray
Pitch - Mating Interface (in)	0.039 In
Pitch - Mating Interface (mm)	1.00 mm
Plating min: Mating (µin)	15
Plating min: Mating (µm)	0.38
Plating min: Termination (µin)	100
Plating min: Termination (µm)	2.54
Temperature Range - Operating	-55°C to +85°C
Termination Interface: Style	Through Hole

Electrical

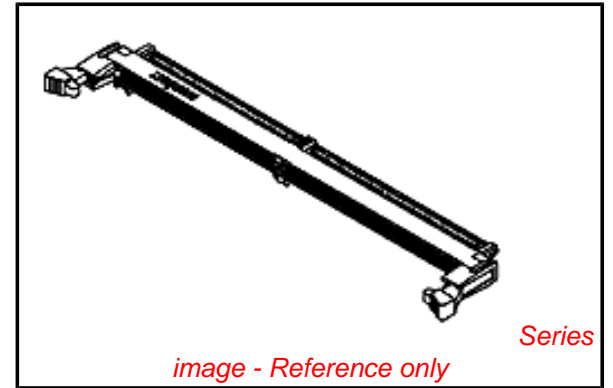
Current - Maximum per Contact	0.5A
Voltage - Maximum	30V
Voltage Key	1.8V

Solder Process Data

Duration at Max. Process Temperature (seconds)	10
Lead-free Process Capability	SMC & Wave Capable (TH only)
Max. Cycles at Max. Process Temperature	2
Process Temperature max. C	260

Material Info

Reference - Drawing Numbers



EU RoHS

**ELV and RoHS
Compliant**
**REACH SVHC
Contains SVHC: No
Halogen-Free
Status**

China RoHS



**Need more information on product
environmental compliance?**

Email productcompliance@molex.com
 For a multiple part number RoHS Certificate of Compliance, [click here](#)

Please visit the [Contact Us](#) section for any non-product compliance questions.

Search Parts in this Series

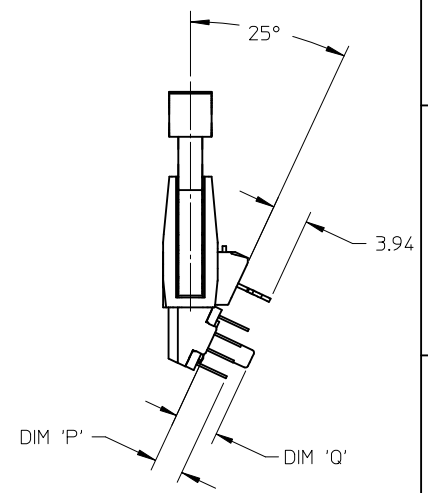
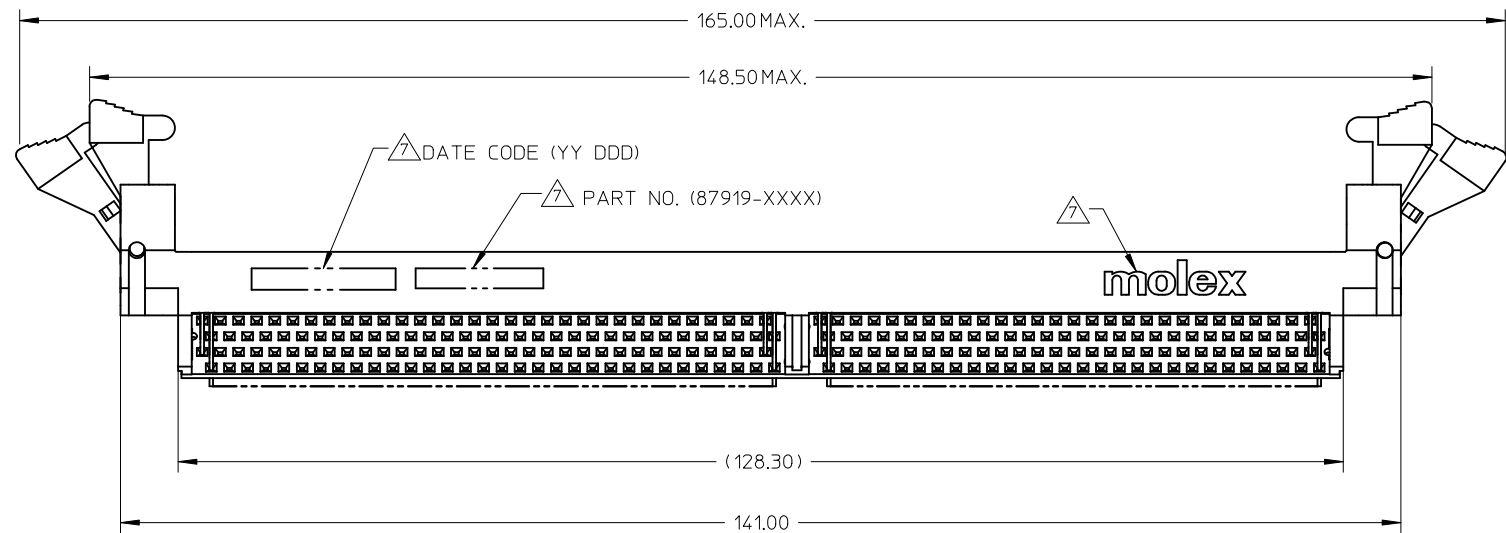
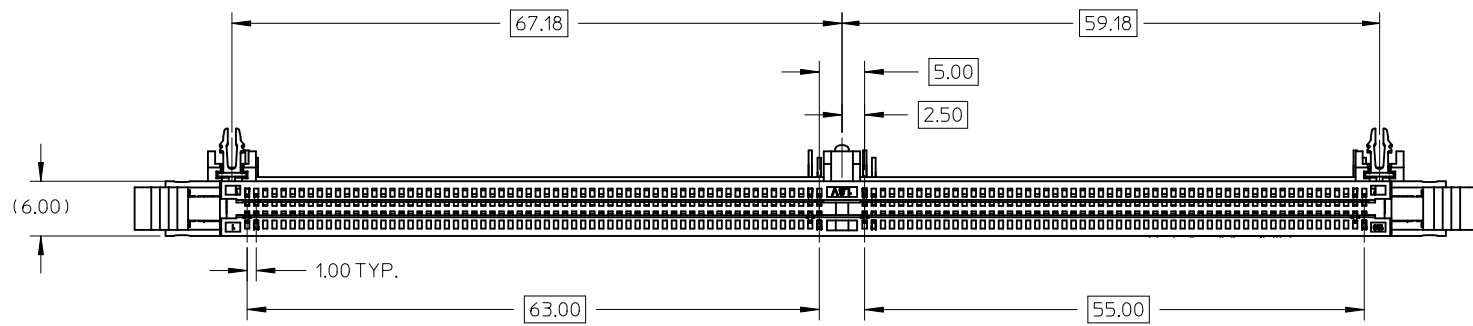
[87919Series](#)

Mates With

JEDEC standard 1.27mm modules

This document was generated on 04/13/2010

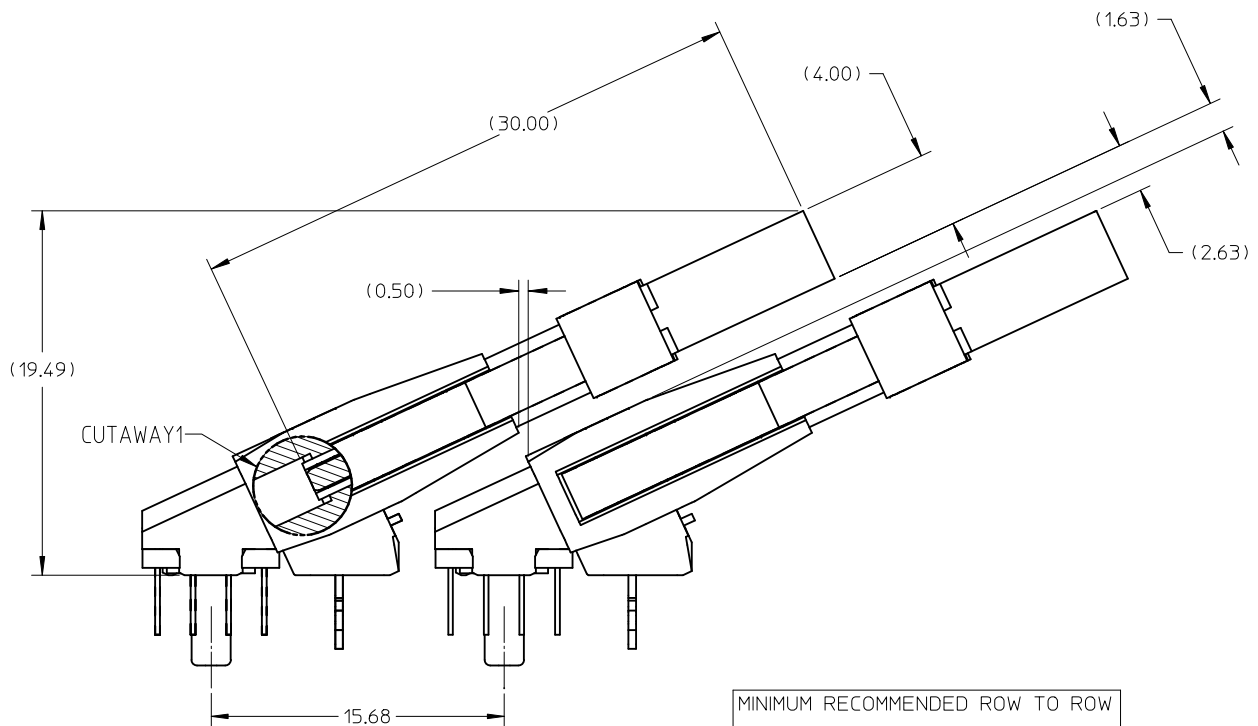
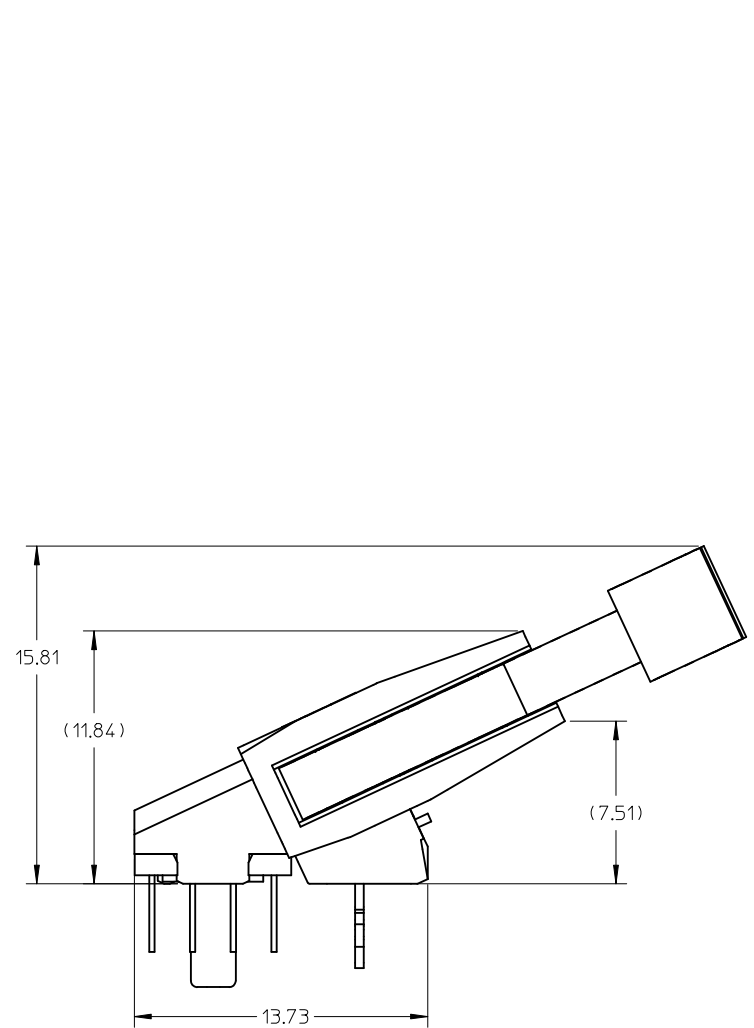
PLEASE CHECK WWW.MOLEX.COM FOR LATEST PART INFORMATION



- NOTES:
- MATERIAL : HOUSING & BASEPLATE.
 - LCP, GLASS FILLED, UL94-V0, BLACK.
 - LATCH.
 - HIGH TEMP. NYLON, GLASS FILLED, UL94-V0, NATURAL (OFF WHITE).
 - TERMINALS & FORKLOCK - COPPER ALLOY.
 - PLATING : CONTACT AREA - SEE TABLE ON SHEET 5.
SOLDERTAIL - SEE TABLE ON SHEET 5.
 - CARD SLOT ACCEPTS 1.27+/-0.10MM MODULE THICKNESS (MEASURED OVER PC PADS).
 - REFER TO PRODUCT SPECIFICATION, PS-87919-001 FOR PERFORMANCE SPECIFICATION.
 - RECOMMENDED MODULE CARD LAYOUT SHALL BE AS PER JEDEC MO-237.
 - PRODUCT SHALL BE PACKED IN TRAY. PLS REFER TO SHEET 3.

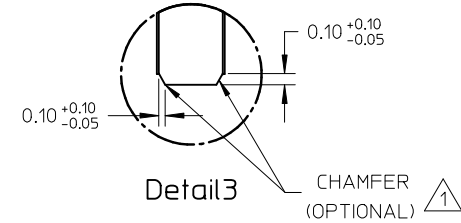
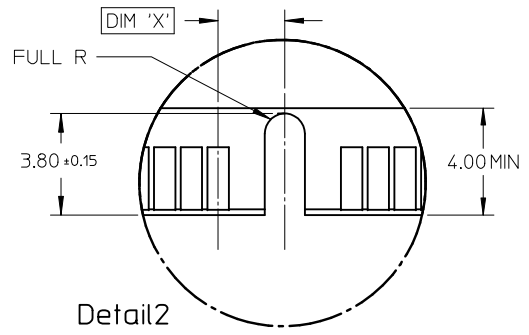
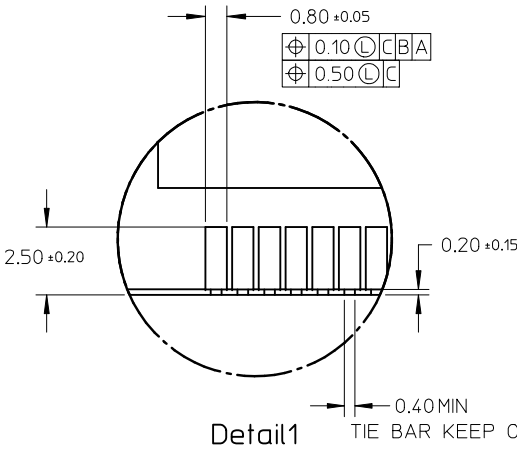
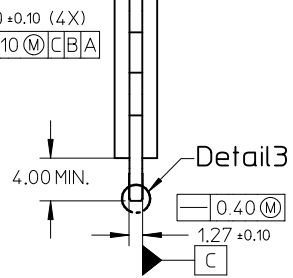
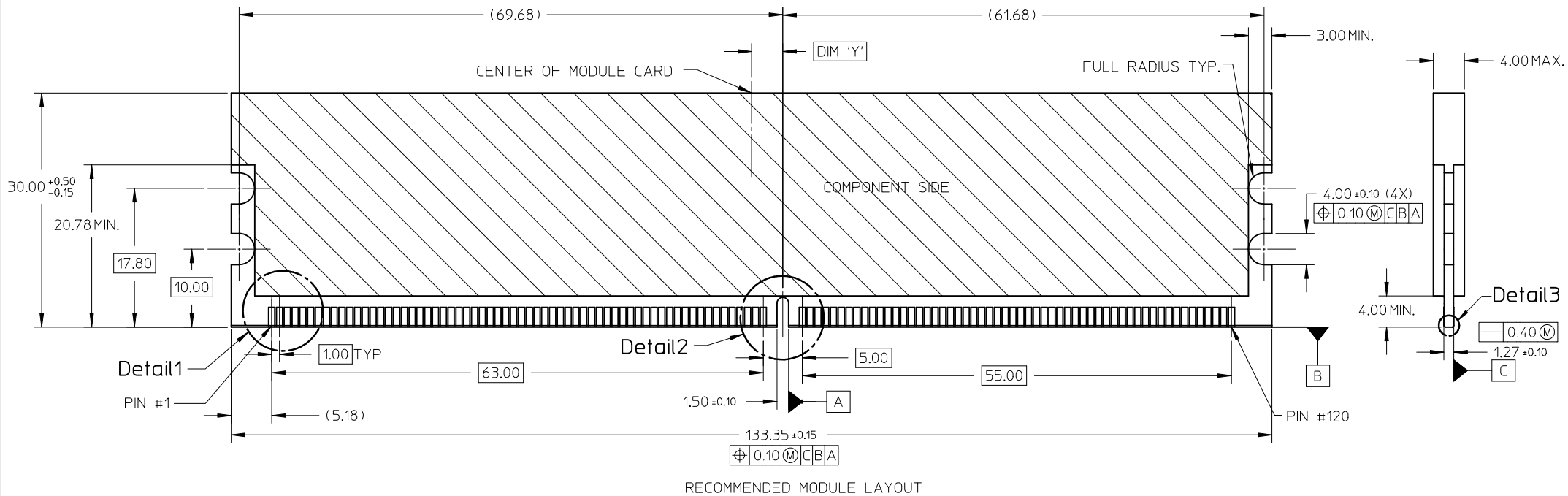
- ▲ MOLEX LOGO, DATE & PART NUMBER INDICATED ON HOUSING.

ADDED OPTION EC NO: S2010-0393 DRWN:LCYH 2009/11/16 CH'KD:CGTAN 2009/11/16 APPR:SHENI 2009/11/17 A7	DESCRIPTION REV	QUALITY SYMBOLS $F_A=0$ $F_G=0$ $F_P=0$	GENERAL TOLERANCES (UNLESS SPECIFIED)		DIMENSION STYLE MM ONLY		SCALE NTS	DESIGN UNITS METRIC	THIRD ANGLE PROJECTION		
			mm	INCH	DRAWN BY	DATE	TITLE DDR2 DIMM, 1.00MM PITCH 240 CKTS, 25 DEG. REVERSE ANGLE				
		4 PLACES	± ---	± ---	JTAN	2004/05/26					
		3 PLACES	± ---	± ---	CHECKED BY	DATE	MOLEX INCORPORATED				
2 PLACES	± 0.25	± ---	MLONG	2004/06/11							
1 PLACE	± ---	± ---	APPROVED BY	DATE	MATERIAL NO. SEE TABLE		DOCUMENT NO. SD-87919-001		SHEET NO. 1 OF 6		
DRAFT WHERE APPLICABLE MUST REMAIN WITHIN DIMENSIONS			ANGULAR ± 5 °		SIZE A3		THIS DRAWING CONTAINS INFORMATION THAT IS PROPRIETARY TO MOLEX INCORPORATED AND SHOULD NOT BE USED WITHOUT WRITTEN PERMISSION				



MINIMUM RECOMMENDED ROW TO ROW SPACING WHEN USING 4.00MM THICK MODULE.

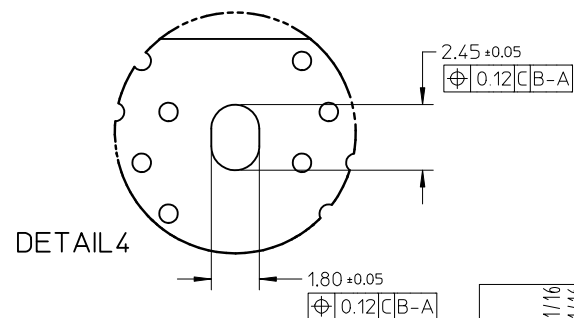
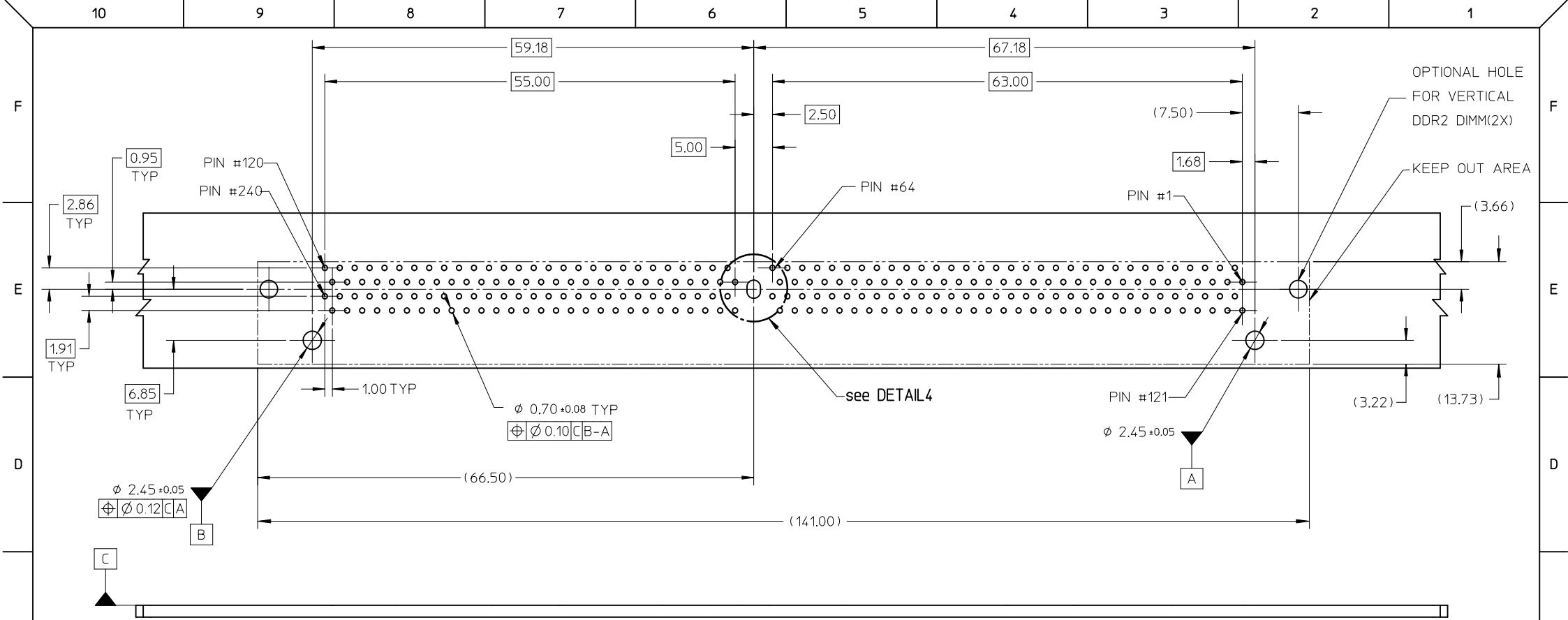
ADDED OPTION EC NO: S2010-0393 DRWN:CCTEH 2009/11/16 CHKD:CGTAN 2009/11/16 APPR:SHLENI 2009/11/17 A7	QUALITY SYMBOLS $F_A=0$ $F_E=0$ $F_P=0$	GENERAL TOLERANCES (UNLESS SPECIFIED)		DIMENSION STYLE MM ONLY		SCALE NTS	DESIGN UNITS METRIC	THIRD ANGLE PROJECTION		
		mm	INCH	DRAWN BY	DATE	TITLE				
		4 PLACES ± ---	± ---	JTAN	2004/05/26	DDR2 DIMM, 1.00MM PITCH 240 CKTS, 25 DEG. REVERSE ANGLE				
		3 PLACES ± ---	± ---	CHECKED BY	DATE					
2 PLACES ± 0.25	± ---	MLONG	2004/06/11	MOLEX INCORPORATED						
1 PLACE ± ---	± ---	APPROVED BY	DATE							
ANGULAR ± 5 °		GGLLEE	2004/06/11	MATERIAL NO.		DOCUMENT NO.		SHEET NO.		
DRAFT WHERE APPLICABLE MUST REMAIN WITHIN DIMENSIONS		SEE TABLE		SD-87919-001		2 OF 6				
		SIZE A3		THIS DRAWING CONTAINS INFORMATION THAT IS PROPRIETARY TO MOLEX INCORPORATED AND SHOULD NOT BE USED WITHOUT WRITTEN PERMISSION						



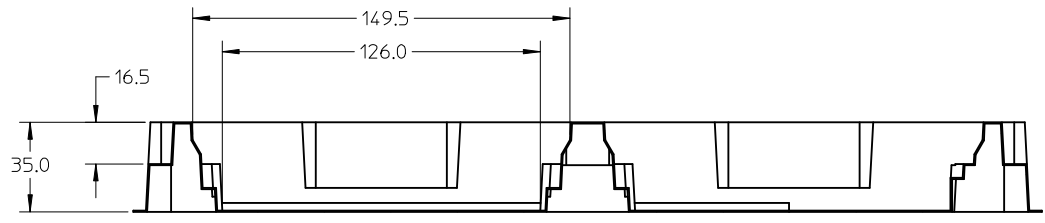
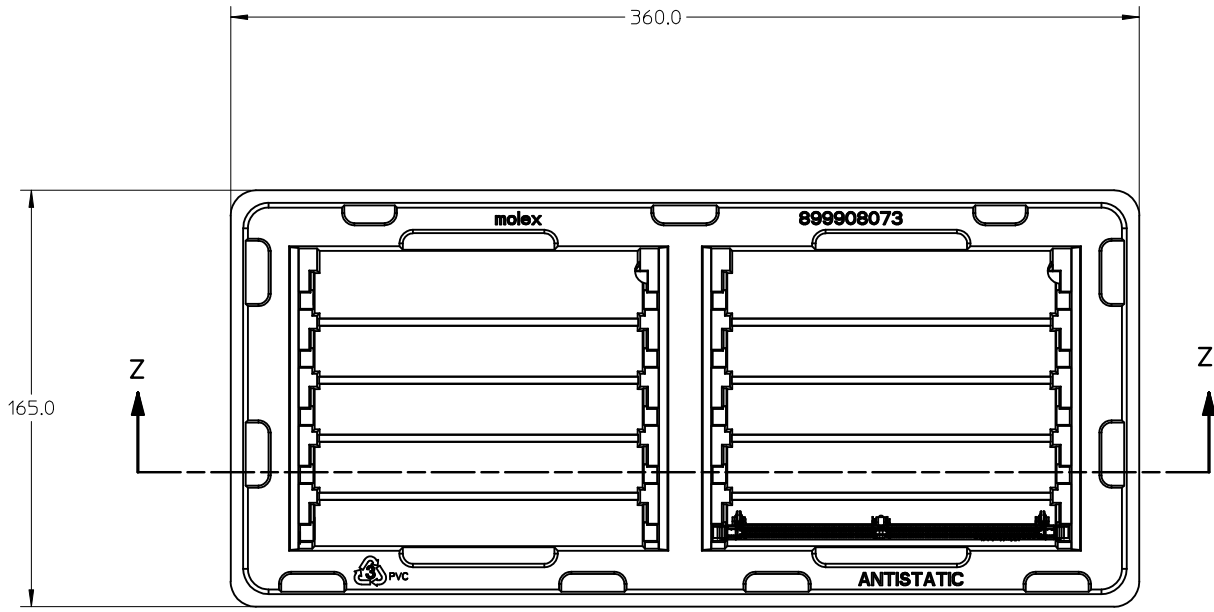
KEY LOCATION	VOLTAGE	DIM 'X'	DIM 'Y'
CENTER	1.8V	2.50	4.00

NOTES :
 1 MODULE CARD USED IN PRODUCT TESTING ARE CHAMFERED.

ADDED OPTION EC NO: S2010-0393 DRWN: CCTH 2009/11/16 CHKD: CGTAN 2009/11/16 APPR: SILENI 2009/11/17	QUALITY SYMBOLS $F_A=0$ $F_C=0$ $F_P=0$	GENERAL TOLERANCES (UNLESS SPECIFIED)		DIMENSION STYLE MM ONLY		SCALE NTS	DESIGN UNITS METRIC	THIRD ANGLE PROJECTION	
		mm	INCH	DRAWN BY JTAN	DATE 2004/05/26	TITLE DDR2 DIMM, 1.00MM PITCH 240 CKTS, 25 DEG. REVERSE ANGLE			
		4 PLACES ± ---	± ---	CHECKED BY MLONG	DATE 2004/06/11	MOLEX INCORPORATED			
		3 PLACES ± ---	± ---	APPROVED BY GGLEE	DATE 2004/06/11	MATERIAL NO. SEE TABLE	DOCUMENT NO. SD-87919-001	SHEET NO. 3 OF 6	
DRAFT WHERE APPLICABLE MUST REMAIN WITHIN DIMENSIONS		ANGULAR ± 5 °		THIS DRAWING CONTAINS INFORMATION THAT IS PROPRIETARY TO MOLEX INCORPORATED AND SHOULD NOT BE USED WITHOUT WRITTEN PERMISSION					



ADDED OPTION EC NO: S2010-0393 DRWN: CCTEH CH'KD: CGTAN APPR: SILENI	2009/11/16 2009/11/16 2009/11/17	DESCRIPTION A7	QUALITY SYMBOLS	GENERAL TOLERANCES (UNLESS SPECIFIED)	DIMENSION STYLE	SCALE	DESIGN UNITS	THIRD ANGLE PROJECTION
			$\nabla_A = 0$ $\nabla_C = 0$ $\nabla_B = 0$	mm INCH 4 PLACES ± --- ± --- 3 PLACES ± --- ± --- 2 PLACES ± 0.25 ± --- 1 PLACE ± --- ± --- ANGULAR ± 5 °	MM ONLY	NTS	METRIC	THIS DRAWING CONTAINS INFORMATION THAT IS PROPRIETARY TO MOLEX INCORPORATED AND SHOULD NOT BE USED WITHOUT WRITTEN PERMISSION
				DRAWN BY: JTAN CHECKED BY: MLONG APPROVED BY: GGLEE	DATE: 2004/05/26 DATE: 2004/06/11 DATE: 2004/06/11	TITLE: DDR2 DIMM, 1.00MM PITCH 240 CKTS, 25 DEG. REVERSE ANGLE	MOLEX MOLEX INCORPORATED	
				DRAFT WHERE APPLICABLE MUST REMAIN WITHIN DIMENSIONS	MATERIAL NO.: SEE TABLE SIZE: A3	DOCUMENT NO.: SD-87919-001 SHEET NO.: 4 OF 6		



SECTION Z-Z

NOTE:
1. CAVITY QTY : 2 X 5 = 10

ADDED OPTION EC NO: S2010-0393 DRWN:CCTEH 2009/11/16 CHKD:CGTAN 2009/11/16 APPR:SHLENI 2009/11/17	QUALITY SYMBOLS $F_A=0$ $F_C=0$ $F_P=0$	GENERAL TOLERANCES (UNLESS SPECIFIED)		DIMENSION STYLE MM ONLY		SCALE NTS	DESIGN UNITS METRIC	THIRD ANGLE PROJECTION		
			mm	INCH	DRAWN BY JTAN	DATE 2004/05/26	TITLE DDR2 DIMM, 1.00MM PITCH 240 CKTS, 25 DEG. REVERSE ANGLE			
		4 PLACES	±---	±---	CHECKED BY MLONG	DATE 2004/06/11				
			mm	INCH	1 PLACE	±---	±---	APPROVED BY GGLEE	DATE 2004/06/11	MOLEX INCORPORATED
	ANGULAR ± 5 °		MATERIAL NO. SEE TABLE		DOCUMENT NO. SD-87919-001		SHEET NO. 5 OF 6			
DRAFT WHERE APPLICABLE MUST REMAIN WITHIN DIMENSIONS			THIS DRAWING CONTAINS INFORMATION THAT IS PROPRIETARY TO MOLEX INCORPORATED AND SHOULD NOT BE USED WITHOUT WRITTEN PERMISSION							

10

9

8

7

6

5

4

3

2

1

PART NO.	VOLTAGE KEY	DIM 'P'	DIM 'Q'	RECOMMENDED PCB THICKNESS	CONTACT AREA PLATING	SOLDERTAIL PLATING	LATCH COLOR
87919-0001	1.8V	2.79	3.18	1.57	0.76µM/ 30µ" GOLD OVER 1.27µM/ 50µ" MIN NICKEL	2.54µM/ 100µ" MIN. TIN OVER 1.27µM/ 50µ" MIN NICKEL	NATURAL
87919-0011		3.18	4.83	2.36			
87919-1001		4.00		3.18			
87919-1002		4.60	3.50				
87919-0101		2.79	3.18	1.57	0.38µM/ 15µ" GOLD OVER 1.27µM/ 50µ" MIN NICKEL		
87919-0111		3.18	4.83	2.36			
87919-0333							BLACK

ADDED OPTION EC NO: S2010-0393 DRWN:CTEH 2009/11/16 CHKD:CGTAN 2009/11/16 APPR:SHLENI 2009/11/17	DESCRIPTION REV	QUALITY SYMBOLS	GENERAL TOLERANCES (UNLESS SPECIFIED)	DIMENSION STYLE MM ONLY	SCALE NTS	DESIGN UNITS METRIC	THIRD ANGLE PROJECTION																											
		$\nabla_A = 0$ $\nabla_F = 0$ $\nabla_P = 0$	<table border="1"> <tr> <th></th> <th>mm</th> <th>INCH</th> </tr> <tr> <td>4 PLACES</td> <td>± ---</td> <td>± ---</td> </tr> <tr> <td>3 PLACES</td> <td>± ---</td> <td>± ---</td> </tr> <tr> <td>2 PLACES</td> <td>± 0.25</td> <td>± ---</td> </tr> <tr> <td>1 PLACE</td> <td>± ---</td> <td>± ---</td> </tr> </table>		mm	INCH	4 PLACES	± ---	± ---	3 PLACES	± ---	± ---	2 PLACES	± 0.25	± ---	1 PLACE	± ---	± ---	<table border="1"> <tr> <th>DRAWN BY</th> <th>DATE</th> </tr> <tr> <td>JTAN</td> <td>2004/05/26</td> </tr> <tr> <th>CHECKED BY</th> <th>DATE</th> </tr> <tr> <td>MLONG</td> <td>2004/06/11</td> </tr> <tr> <th>APPROVED BY</th> <th>DATE</th> </tr> <tr> <td>GGLEE</td> <td>2004/06/11</td> </tr> </table>	DRAWN BY	DATE	JTAN	2004/05/26	CHECKED BY	DATE	MLONG	2004/06/11	APPROVED BY	DATE	GGLEE	2004/06/11	TITLE	DDR2 DIMM, 1.00MM PITCH 240 CKTS, 25 DEG. REVERSE ANGLE	
			mm	INCH																														
		4 PLACES	± ---	± ---																														
		3 PLACES	± ---	± ---																														
2 PLACES	± 0.25	± ---																																
1 PLACE	± ---	± ---																																
DRAWN BY	DATE																																	
JTAN	2004/05/26																																	
CHECKED BY	DATE																																	
MLONG	2004/06/11																																	
APPROVED BY	DATE																																	
GGLEE	2004/06/11																																	
ANGULAR ± 5 ° DRAFT WHERE APPLICABLE MUST REMAIN WITHIN DIMENSIONS	MATERIAL NO. SEE TABLE	DOCUMENT NO. SD-87919-001	SHEET NO. 6 OF 6																															
SIZE A3		THIS DRAWING CONTAINS INFORMATION THAT IS PROPRIETARY TO MOLEX INCORPORATED AND SHOULD NOT BE USED WITHOUT WRITTEN PERMISSION																																

9

8

7

6

5

4

3

2

1