

PLEASE CHECK WWW.MOLEX.COM FOR LATEST PART INFORMATION

Part Number: [0351820390](#)
Status: **Active**
Description: 1.78mm (.070") Tab, 8.50mm (.335") Pitch Wire-to-Wire Female Housing TPA™, 3 Circuits, Vertical, Natural

Documents:

[Drawing \(PDF\)](#) [Product Specification PS-35182-003 \(PDF\)](#)
[Product Specification PS-35180-002 \(PDF\)](#) [RoHS Certificate of Compliance \(PDF\)](#)
[Product Specification PS-35180-003 \(PDF\)](#)

General

Product Family	Accessories
Series	35182
Component Type	Retainer
Product Name	TPA™ - Term Pos Assurance

Physical

Circuits (Loaded)	3
Color - Resin	Natural
Lock to Mating Part	Yes
Material - Resin	Nylon
Number of Rows	1
Packaging Type	Bag
Temperature Range - Operating	-40°C to +120°C

Material Info

Reference - Drawing Numbers

Product Specification	PS-35180-002, PS-35180-003, PS-35182-003
Sales Drawing	SD-35182-039*

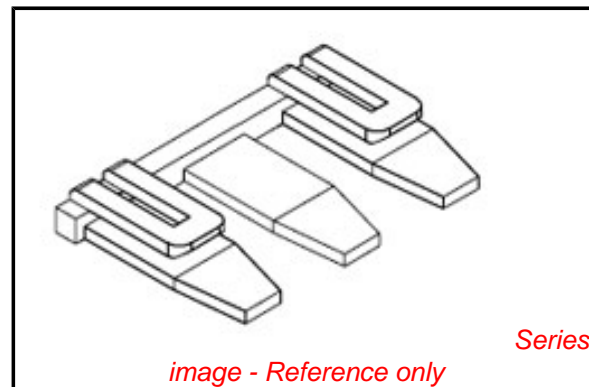


image - Reference only

EU RoHS

**ELV and RoHS
Compliant**
**REACH SVHC
Contains SVHC: No**
**Halogen-Free
Status**

China RoHS



**Need more information on product
environmental compliance?**

Email productcompliance@molex.com
 For a multiple part number RoHS Certificate of Compliance, [click here](#)

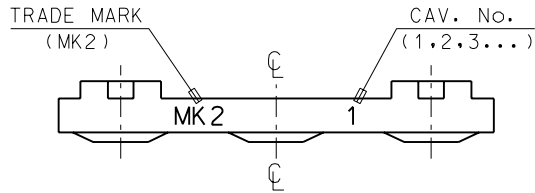
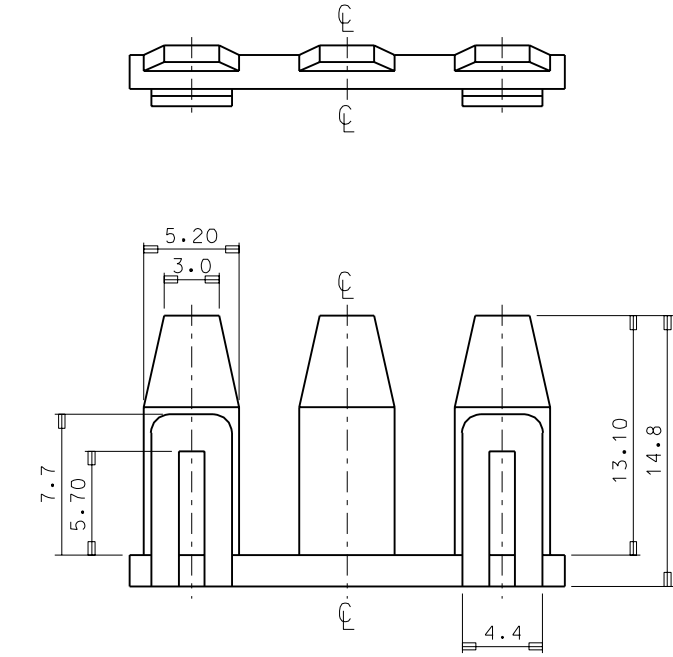
Please visit the [Contact Us](#) section for any non-product compliance questions.

Search Parts in this Series

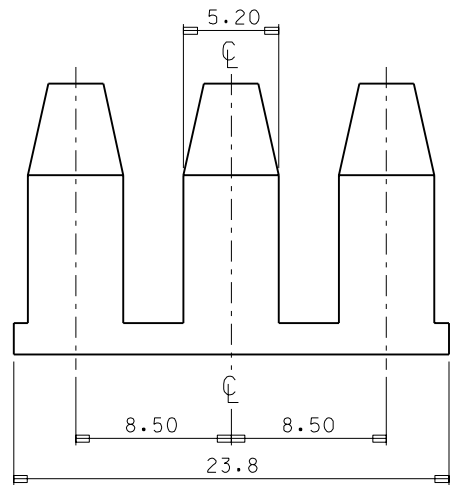
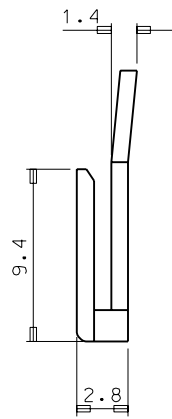
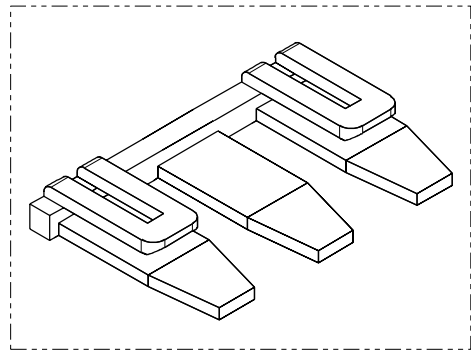
[35182Series](#)

Use With

[35180 Wire-to-Wire Male Housing](#)



- NOTES
1. MATERIAL : NYLON 66 (UL94V-2)
 2. COLOR : 35182-0390 (NATURAL)
35182-0392 (RED)
35182-0393 (YELLOW)
35182-0394 (BLUE)
 3. MATCHED HOUSING : 35180-0600



				MATERIAL SEE NOTES		molex MOLEX-KOREA CO.,LTD.	
				GENERAL TOLERANCE DIMENSION : ±0.3		DRAWN BY J. S. KANG	
				ANGLE : ±1°		CHK'D BY	
				DIMENSION CLASSIFICATION		APP'D BY	
				▽ : CRITICAL ▼ : MAJOR		SCALE 4/1	
				() : REFERENCE		TITLE :	
A	NEW RELEASED	PDR 94-041	95.9.28	ASS'Y PART		.070 MULTI FEMALE HOUSING T.P. A-3P	
LTR	REVISION RECORD	ECN	DATE	DESCRIPTION ENG. NO.		SHEET 1 of 1	
REVISE ONLY ON CAD SYSTEM				---		ENG. NO. SD 35182-039*	
				---		REV A	