

PLEASE CHECK WWW.MOLEX.COM FOR LATEST PART INFORMATION

Part Number: [0850132012](#)
Status: **Active**
Overview: [din_41612](#)
Description: 2.54mm (.100") Pitch DIN 41612 Header, Through Hole, Vertical, Style R/2 Reverse, 1µm (40µ") Selective Gold (Au), 48 Circuits, Lead free

Documents:

[3D Model](#) [Product Specification PS-85013-0001 \(PDF\)](#)
[Drawing \(PDF\)](#) [RoHS Certificate of Compliance \(PDF\)](#)

Agency Certification

CSA LR19980
 UL E29179

General

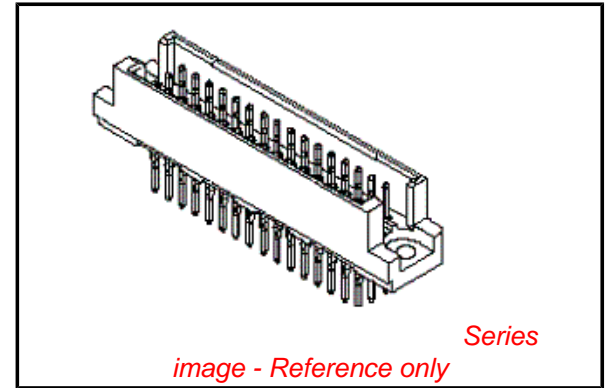
Product Family Backplane Connectors
 Series [85013](#)
 Application Daughtercard
 Comments 4 Day Industrial Environment (S02)
 Component Type PCB Header
 Overview [din_41612](#)
 Product Name IEC 603-2/DIN 41612
 Style R/2

Physical

Circuits (Loaded) 48
 Circuits (maximum) 48
 Circuits Detail Rows A, B, & C
 Durability (mating cycles max) 500
 First Mate / Last Break No
 Flammability 94V-0
 Guide to Mating Part No
 Keying to Mating Part Yes
 Number of Columns 16
 Number of Pairs Open Pin Field
 Number of Rows 3
 Orientation Vertical
 PC Tail Length (in) 0.114 In
 PC Tail Length (mm) 2.90 mm
 PCB Locator No
 PCB Retention Yes
 Packaging Type Bag
 Pitch - Mating Interface (in) 0.100 In
 Pitch - Mating Interface (mm) 2.54 mm
 Pitch - Term. Interface (in) 0.100 In
 Pitch - Term. Interface (mm) 2.54 mm
 Plating min: Mating (µin) 39
 Plating min: Mating (µm) 1
 Polarized to PCB No
 Stackable No
 Surface Mount Compatible (SMC) No
 Temperature Range - Operating -55°C to +125°C

Electrical

Current - Maximum per Contact 1A
 Data Rate 622.0 Mbps



EU RoHS

ELV and RoHS Compliant
REACH SVHC
 Not Reviewed
Halogen-Free Status
Not Reviewed

China RoHS



Need more information on product environmental compliance?

Email productcompliance@molex.com
 For a multiple part number RoHS Certificate of Compliance, [click here](#)

Please visit the [Contact Us](#) section for any non-product compliance questions.

Search Parts in this Series

[85013Series](#)

Mates With

[85042](#) DIN 41612 Receptacle . [85052](#) DIN 41612 Header

Real Signals (per 25mm)	30
Shield Type	N/A
Shielded	No
Voltage - Maximum	1000V (RMS)

Solder Process Data

Lead-free Process Capability	Wave Capable (TH only)
------------------------------	------------------------

Material Info**Reference - Drawing Numbers**

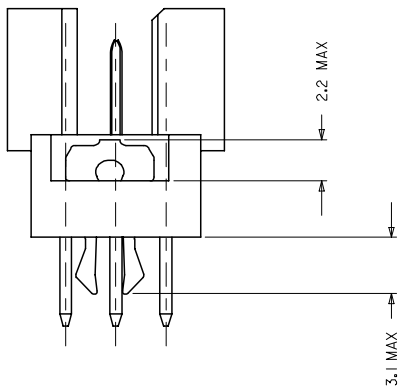
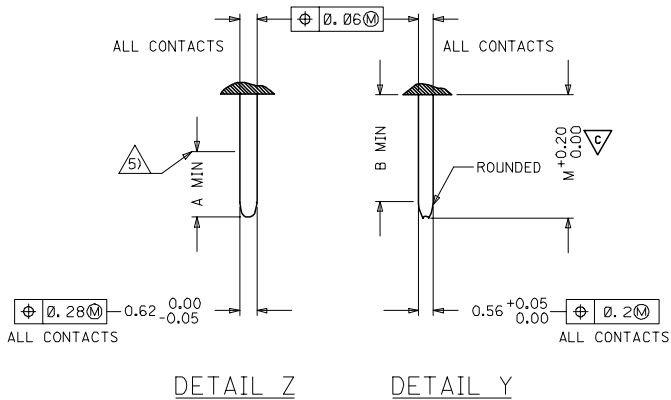
Product Specification	PS-85013-0001
Sales Drawing	E-85013-0002, E-85013-2012, SD-85013-2012, SDA-85013-0002, SDA-85013-2012

This document was generated on 05/17/2010

PLEASE CHECK WWW.MOLEX.COM FOR LATEST PART INFORMATION

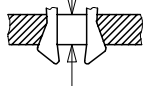
PRE MATING CONTACTS	5.4	4.1	4.8
NORMAL CONTACTS	4.8	3.5	4.2
	M	A	B

MALE CONNECTOR WITH MOUNTING CLIPS



CLIPS SNAP UNDER
PC - BOARD OF
1.5 to 1.8 mm
Fm < 60N
Fr >= 20N
Fr >= 200N, WHEN
SOLDERED IN
PLATED - THROUGH
FIXING HOLES

Fm = MOUNTING FORCE
(FOR ONE CONNECTOR = 2 CLIPS)



FR = RETENTION FORCE
(FOR ONE CONNECTOR = 2 CLIPS)

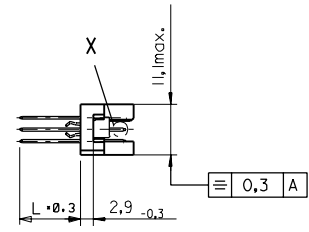
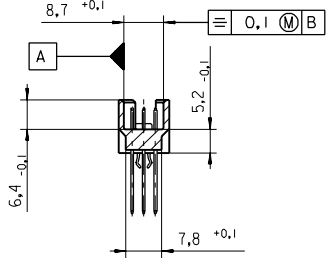
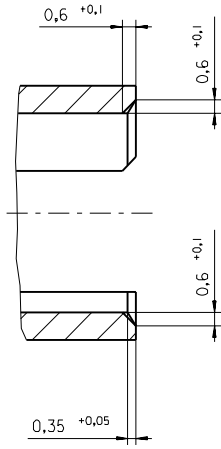
CLIPS STICK IN
FIXING HOLE OF
PC - BOARDS
OVER 1.8 mm
Fm < 60N
FR >= 16N



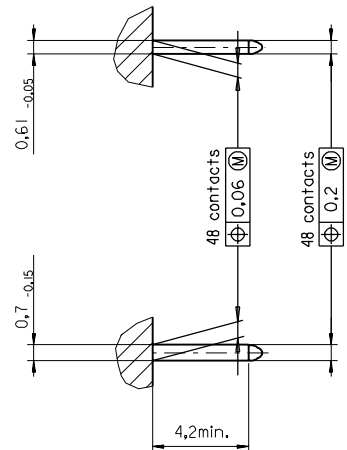
EC NO. 12005-0092 DRAWN BY DRWNSHIVASHA CHKD BY CHAKRAPASAI APP: SUDHIR	QUALITY SYMBOLS ▽=0 ▽=1	GENERAL TOLERANCES (UNLESS SPECIFIED)		DIMENSION STYLE	SCALE	DESIGN UNITS	THIRD ANGLE PROJECTION
		mm	INCH	MM ONLY	2:1	METRIC	
REV	DESCRIPTION	4 PLACES ±---	±---	DRAWN BY	DATE	TITLE	
		3 PLACES ±0.005	±---	NS	2004/03/31	48 POS. MALE CONNECTOR	
		2 PLACES ±0.05	±---	CHECKED BY	DATE	ACC. DIN 41612	
		1 PLACE ±0.1	±---	GJLOWE	2004/03/31	STYLE R/2 CONTACTS	
		ANGULAR ± 2°		APPROVED BY	DATE	MATERIAL NO.	DOCUMENT NO.
				GJLOWE	2004/03/31	E-85013-0002	SHEET NO.
DRAFT WHERE APPLICABLE MUST REMAIN WITHIN DIMENSIONS		SEE CHART		THIS DRAWING CONTAINS INFORMATION THAT IS PROPRIETARY TO MOLEX INCORPORATED AND SHOULD NOT BE USED WITHOUT WRITTEN PERMISSION		2 OF 2	

PART NO.
DWG. NO.

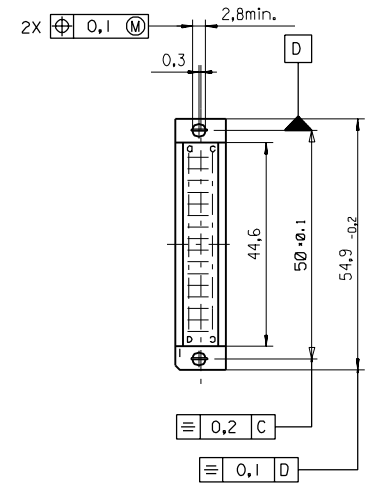
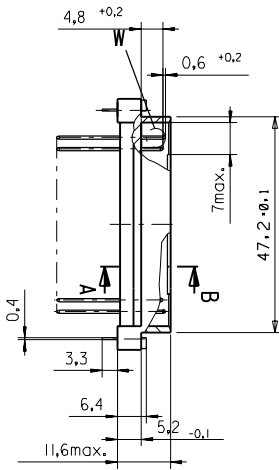
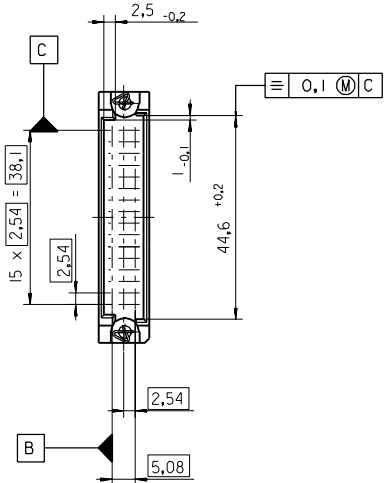
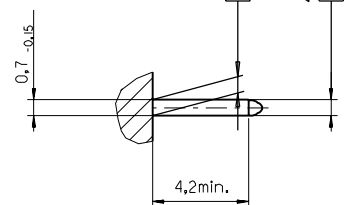
Section A - B
5:1



View X
5:1



View W
5:1



FIRST ANGLE PROJECTION REVISE ONLY ON CAD SYSTEM SH. REV.

first release see ECN No. 1887	BI
-----------------------------------	----

LTR	REVISIONS	UNLESS OTHERWISE SPECIFIED TOLERANCES: ANGULAR ± 2°	DRWG BY	SIGN	CAD/CAM PROJECT NAME	THIS DRAWING CONTAINS INFORMATION THAT IS PROPRIETARY TO MOLEX INC. & SHOULD NOT BE USED WITHOUT WRITTEN PERMISSION
	FOR PREVIOUS REVISIONS SEE MRI LIST	INCH METRIC	Ca		85013000 821	
	3 PLACE ± . ±		CHK'D BY	SIGN	TITLE	
	2 PLACE ± . ±		KN		48 pos. Male connector acc. DIN 41612 style R/2 Dimensions	
	1 PLACE ± . ±		APP'D BY	SIGN	MOLEX EUROPE	
	DRAFT WHERE APPLICABLE MUST REMAIN WITHIN DIMENSIONS				SHEET NO. DATE	
	DESIGN DIMENSION	<input checked="" type="checkbox"/> MM	SCALE		1 OF 95/06/08	
	EQUIVALENT DIMENSION	<input type="checkbox"/> IN.			PART NO.	SIZE
	IF TWO DIMENSIONS ARE SHOWN THE UPPER IS THE DESIGN DIMENSION, LOWER IS SECONDARY				SDA-85013-0002	B

DRWG BY	SIGN
Ca	
CHK'D BY	SIGN
KN	
APP'D BY	SIGN
SCALE	

CAD/CAM PROJECT NAME	THIS DRAWING CONTAINS INFORMATION THAT IS PROPRIETARY TO MOLEX INC. & SHOULD NOT BE USED WITHOUT WRITTEN PERMISSION
85013000 821	
TITLE	
48 pos. Male connector acc. DIN 41612 style R/2 Dimensions	
MOLEX EUROPE	SHEET NO. DATE
	1 OF 95/06/08
PART NO.	SIZE
SDA-85013-0002	B

VIEW ON MATING SIDE

⊂	A	A	A	A	A	A	A	A	A	A	A	A	A	A	A	A	A	A	A
⊃	A	A	A	A	A	A	A	A	A	A	A	A	A	A	A	A	A	A	A
⊄	A	A	A	A	A	A	A	A	A	A	A	A	A	A	A	A	A	A	A


1 2 3 4 5 6 7 8 9 10 11 12 13 14 15 16 17 18 19 20

A = 48 STANDARD CONTACTS L-2,9

Marking	Standard
Performance level	G2/0 = Contact area perform. level2 / Termination tin
Flux proof	no
Fixing clip	no
Dimensions	SDA-85013-0002 sht.1
Technical Data	PS-85013-0001

A	G2/0	a1-16	b1-16	c1-16
Contact symbol	Perform. level	Contact position number		

first release see ECN No. 1868	REVISIONS		FOR PREVIOUS REVISIONS SEE MRI LIST	
	LTR	DESCRIPTION	DATE	BY

UNLESS OTHERWISE SPECIFIED TOLERANCES: ANGULAR ± 2°	DRWG BY	SIGN	CAD/CAM PROJECT NAME	SH. REV.
INCH	Ca		s8501320	THIS DRAWING CONTAINS INFORMATION THAT IS PROPRIETARY TO MOLEX INC. & SHOULD NOT BE USED WITHOUT WRITTEN PERMISSION
METRIC	CHK'D BY	SIGN	s11	
3 PLACE ± .	KN			
2 PLACE ± .	APP'D BY	SIGN		
1 PLACE ± .	SCALE			
DRAFT WHERE APPLICABLE MUST REMAIN WITHIN DIMENSIONS	DESIGN DIMENSION	<input type="checkbox"/> MM <input type="checkbox"/> IN.	TITLE	
EQUIVALENT DIMENSION	<input type="checkbox"/> MM <input type="checkbox"/> IN.	48 pos. Male connector acc. DIN 41612 style R/2 contacts arrangement		
IF TWO DIMENSIONS ARE SHOWN, THE UPPER IS THE DESIGN DIMENSION, LOWER IS SECONDARY	 MOLEX EUROPE SHEET NO. 1 OF 1 DATE 95/06/07 PART NO. 85013-2012 DWG NO. SDA-85013-2012 SIZE A			